



# INSTALLATION INSTRUCTIONS

Accessory  
**TRAILER HITCH**

Application  
**2018 PILOT**

Publications No.  
**VERSION 1**

Issue Date  
**NOV 2017**

## PARTS LIST

**Trailer Hitch Kit  
P/N 08L92-TG7-100**

Trailer hitch



Trailer hitch cover



Receiver cover



6 Flange bolts



**Ball Mount Kit  
P/N 08L92-TG7-100A**

Ball mount



Hitch pin



Hitch pin clip



## TOOLS AND SUPPLIES REQUIRED

10 mm Open end wrench

Ratchet

Torque wrench

10 mm, 19 mm, and 22 mm Sockets

Phillips screwdriver

*The following tool is available through the Honda Tool and Equipment Program. On the iN, click on Service > Service Bay > Tool and Equipment Program, then enter the number under "Search". Or, call 888-424-6857.*

- Plastic Trim Tool (T/N SILTRIMTL10)

## Illustration of the Trailer Hitch on the Vehicle



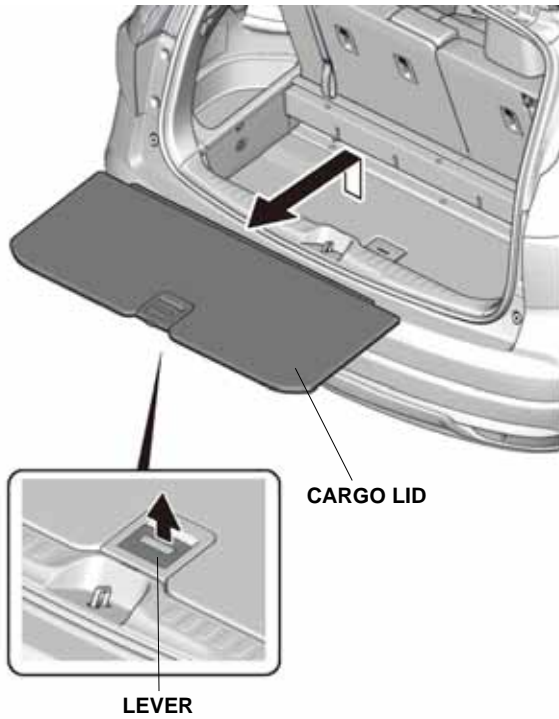
TRAILER HITCH

QDD0301AB

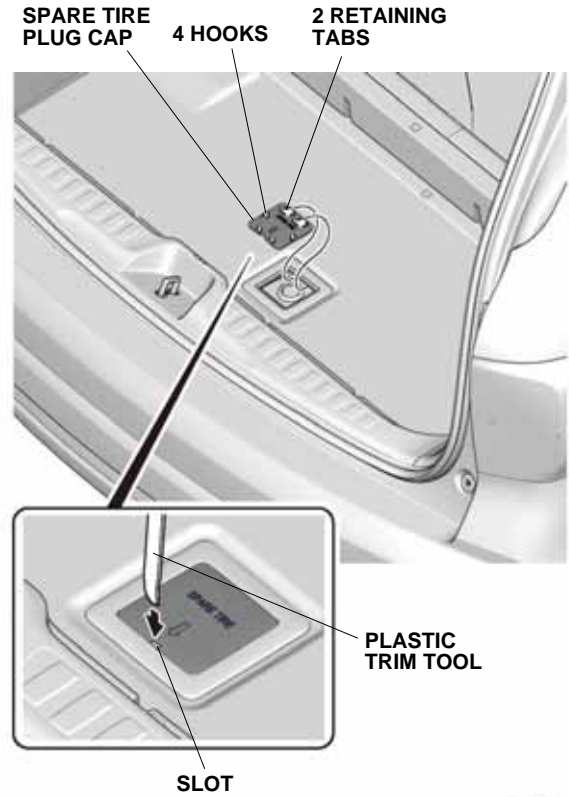
## INSTALLATION

**Customer Information:** The information in this installation instruction is intended for use only by skilled technicians who have the proper tools, equipment, and training to correctly and safely add equipment to your vehicle. These procedures should not be attempted by “do-it-yourselfers.”

1. Remove the cargo lid.



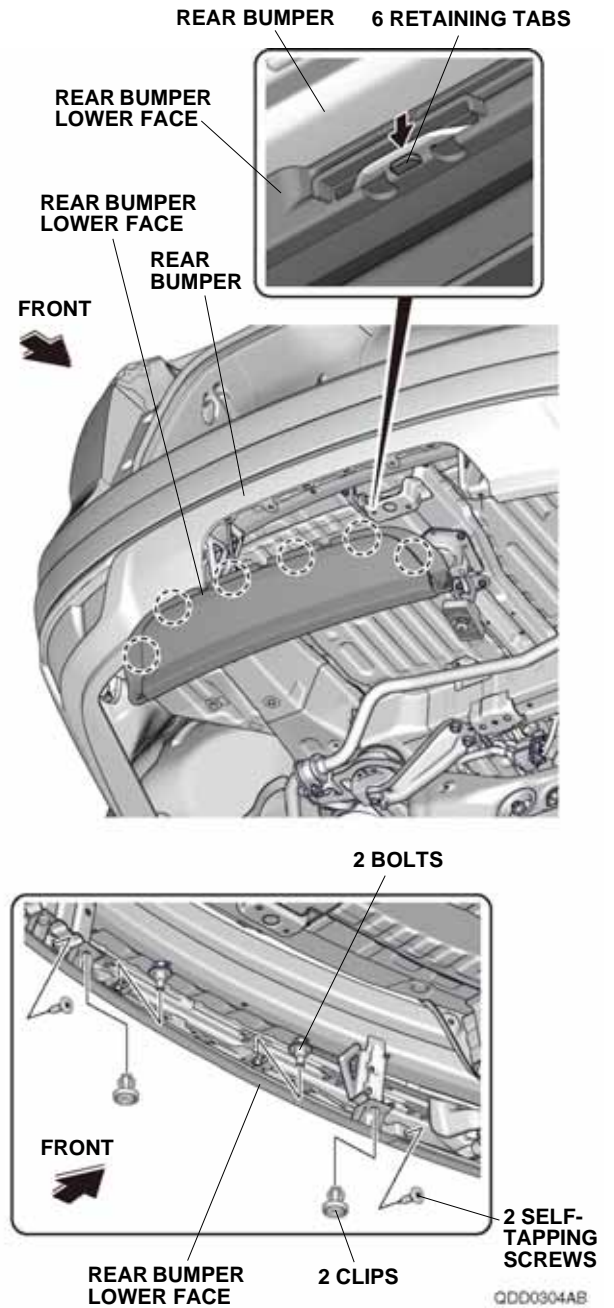
2. Remove the spare tire plug cap.



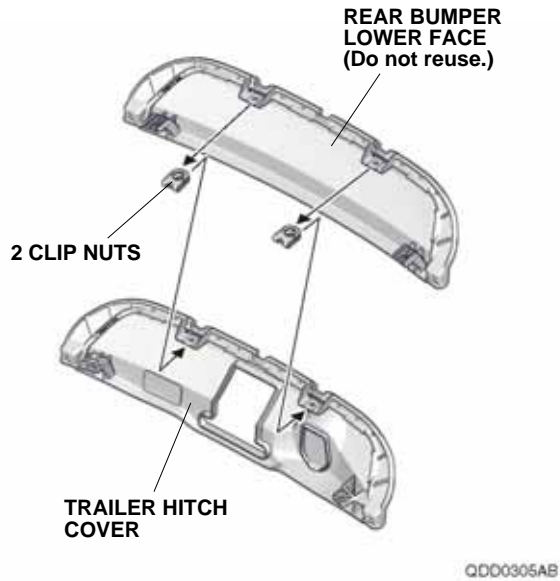
- Remove the spare tire plug to access the spare tire hoist shaft. Lower the spare tire completely.



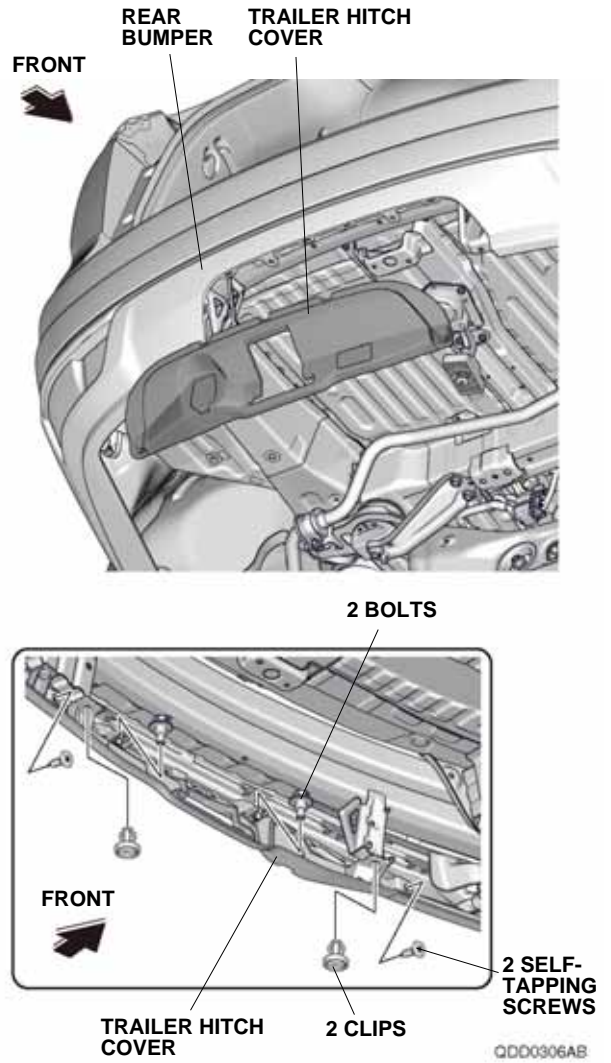
- Remove the rear bumper lower face.



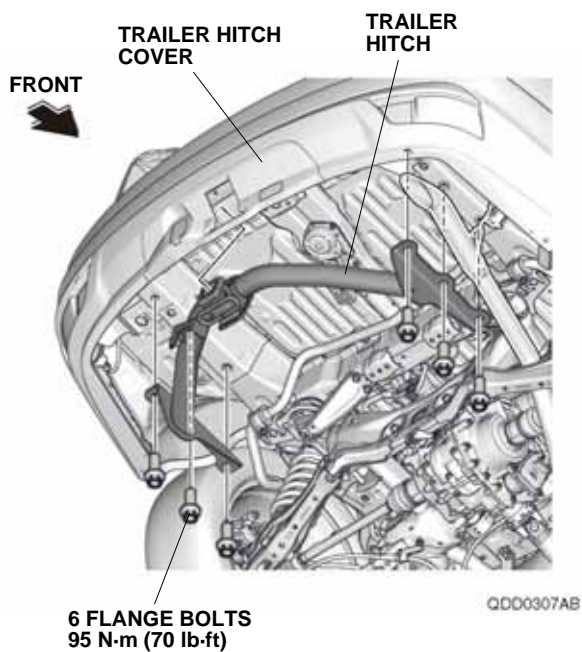
5. Remove the two clip nuts from the rear bumper lower face, and install them on the trailer hitch cover.



6. Install the trailer hitch cover to the rear bumper with six retaining tabs, two clips, two self-tapping screws, and two bolts removed in step 4.



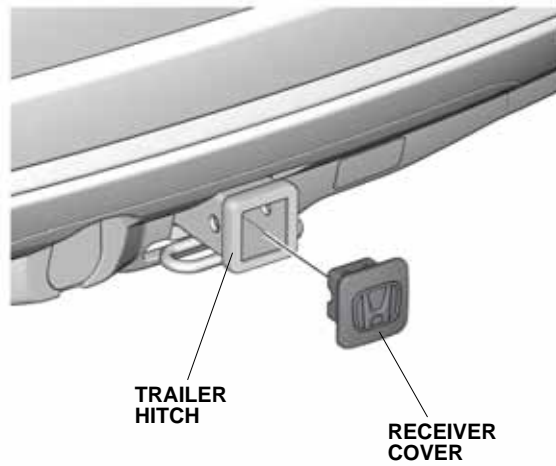
- Loosely secure the trailer hitch to the vehicle with six flange bolts, then tighten the six flange bolts. Torque the six flange bolts to 95 N·m (70 lb·ft)  
NOTE: Have an assistant help you when installing the trailer hitch.



- Install all removed parts.

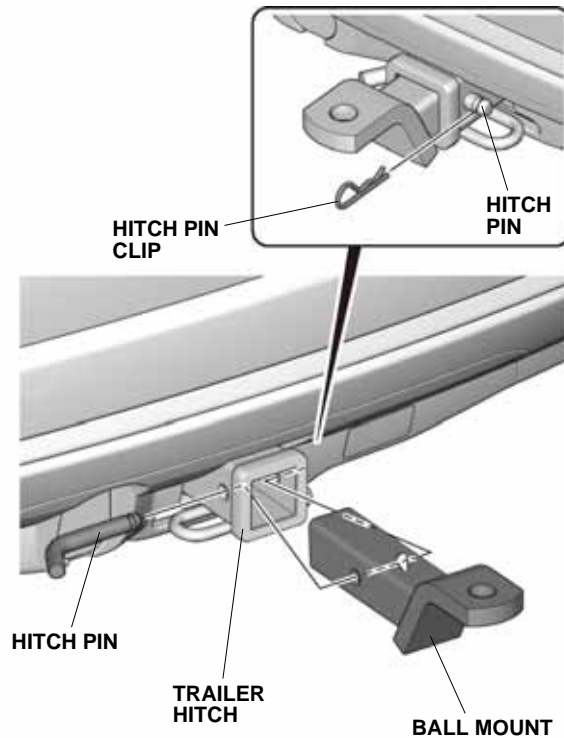
**Give a copy of this page to your customer**

Whenever you remove the hitch pin, and the ball mount, store them securely in the cargo area. Then, install the receiver cover into the opening at the end of the trailer hitch.



QDD0308AB

Install the ball mount into the trailer hitch using a hitch pin clip and hitch pin. And store the receiver cover in the cargo area



QDD0309AB

After the first 600 miles (1,000 km) of towing, have your Honda Dealer re-check the tightness of the trailer hitch bolts.