



# INSTALLATION INSTRUCTIONS

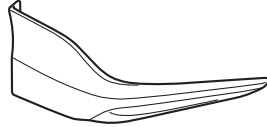
Accessory  
**FRONT UNDER SPOILERS**  
P/N 08F01-T3L-100A

Application  
**2016 ACCORD**  
2-DOOR

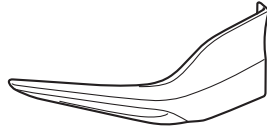
Publications No.  
**VERSION 1**  
Issue Date  
**AUG 2015**

## PARTS LIST

Right front under spoiler



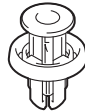
Left front under spoiler



4 Clips



4 Bumper clips A



2 Bumper clips B (long)



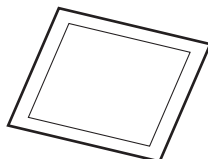
4 Washers



2 Self-tapping screws



2 Alcohol swabs



## TOOLS AND SUPPLIES REQUIRED

Phillips screwdriver

Drill

3 mm, 6 mm, 8 mm, and 10 mm Drill bits

Eye protection (face shield, safety goggles, etc.)

File

Pushpin

Tape

Masking tape

Blanket

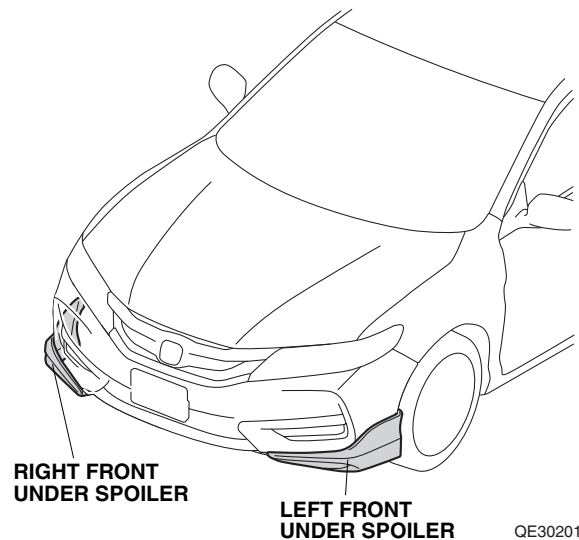
Diagonal cutters

10 mm Open end wrench

*The following tool is available through the Honda Tool and Equipment Program. On the iN, click on: Service > Service Bay > Tool and Equipment Program, then enter the number under "Search". Or, call 888-424-6857.*

- Rubber Roller (T/N MHLE54D)

## Illustration of the Front Under Spoilers on the Vehicle

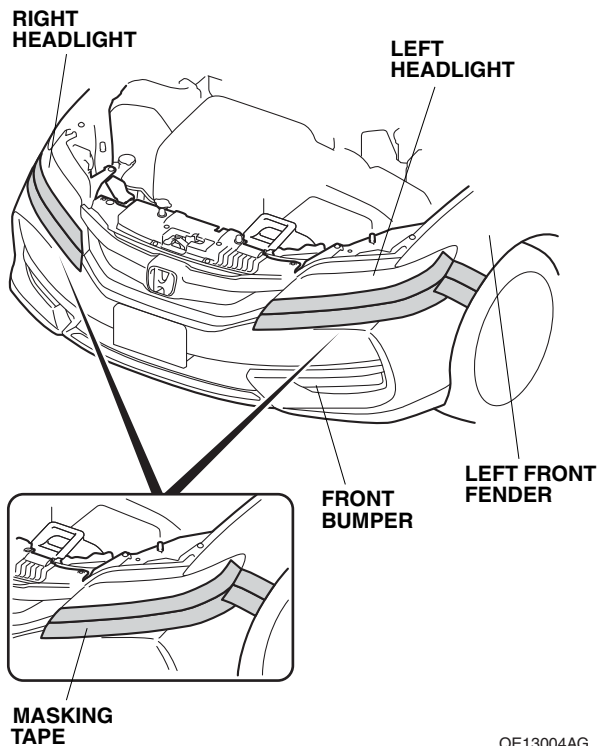


## INSTALLATION

**Customer Information:** The information in this installation instruction is intended for use only by skilled technicians who have the proper tools, equipment, and training to correctly and safely add equipment to your vehicle. These procedures should not be attempted by “do-it-yourselfers.”

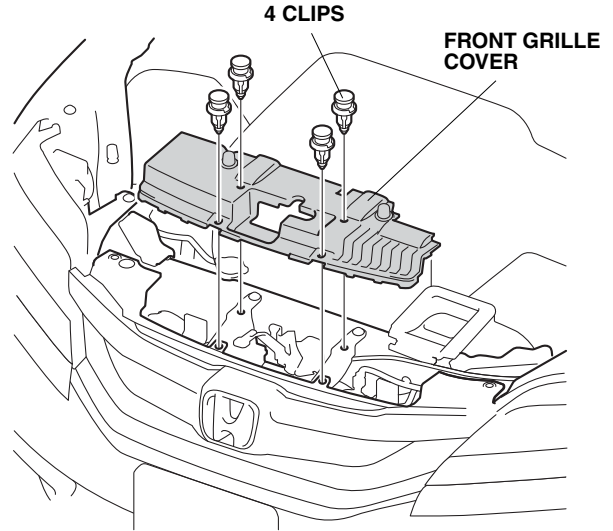
### NOTE:

- Do not damage the paint finish.
  - This kit should be installed only if the ambient air temperature is 15°C (60°F) or above.
  - Clean the areas to be covered.
  - To allow the adhesive to cure, do not wash the vehicle for 24 hours. Please advise the customer.
1. Disconnect the negative cable from the battery.
  2. Attach masking tape to the front bumper, headlights and front fenders as shown.



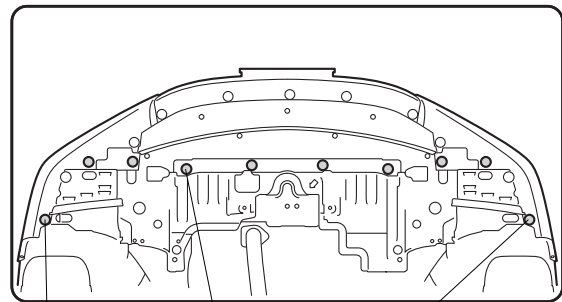
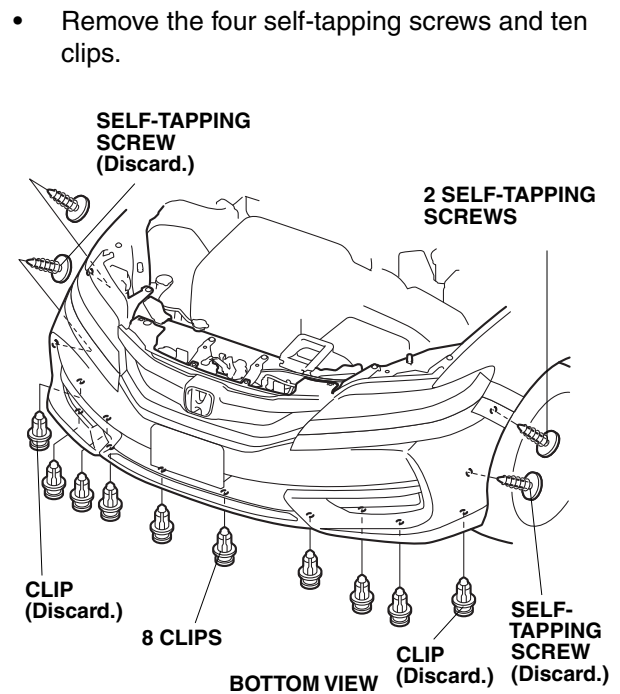
QE13004AG

3. Remove the front grille cover.



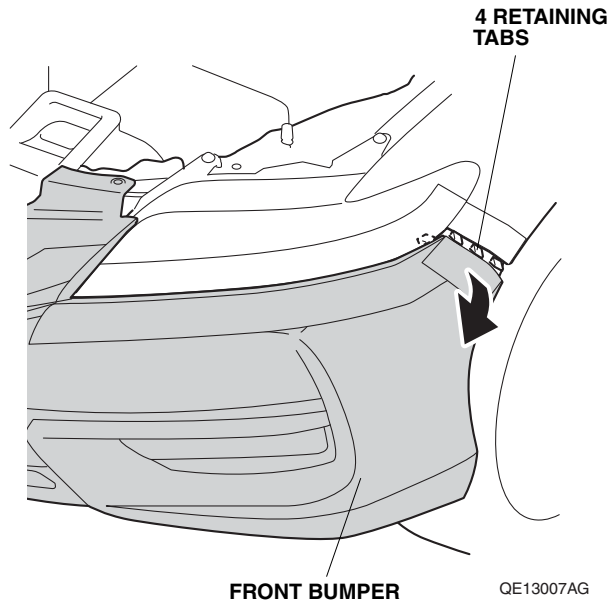
QE13005AG

4. Remove the front bumper.

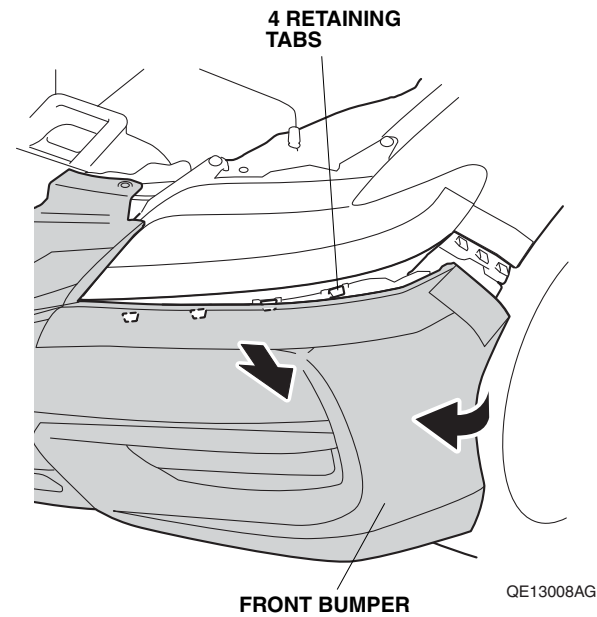


QE13006AG

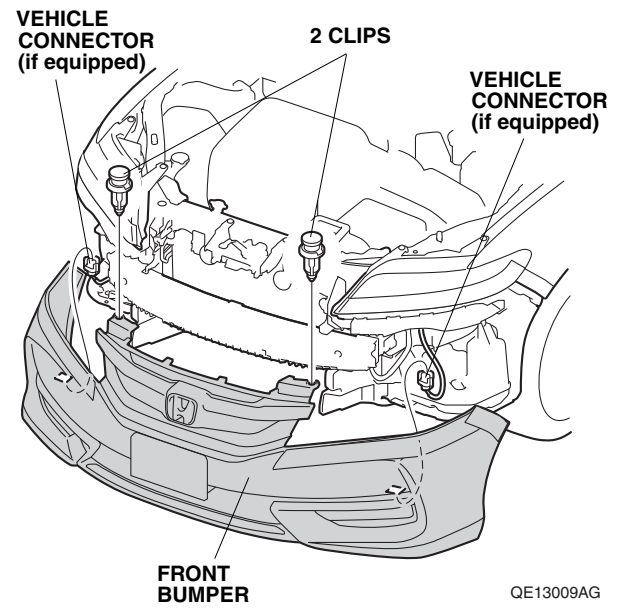
- Release the four retaining tabs on each side.



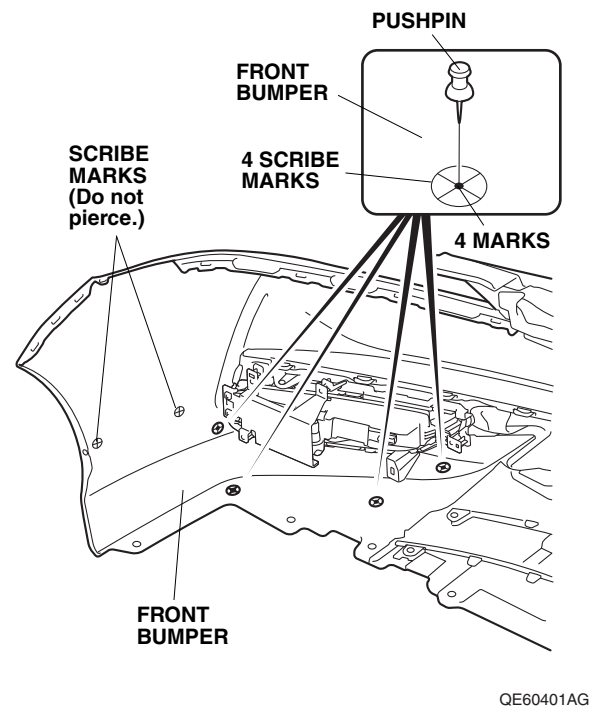
- Release the four retaining tabs on each side.



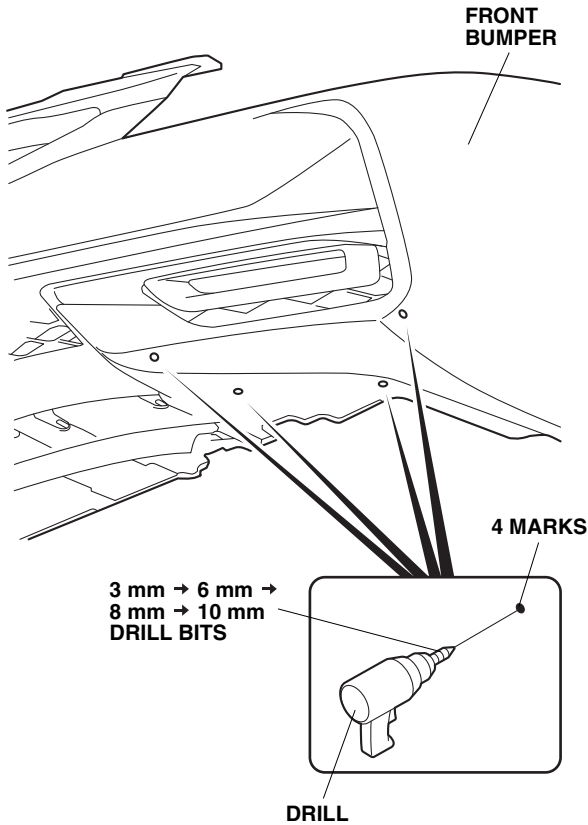
- Remove the two clips.
- With the help of an assistant, remove the front bumper.
- Place the front bumper on a blanket.



5. Using a pushpin, pierce the inside of the front bumper through the center of the four scribe marks.

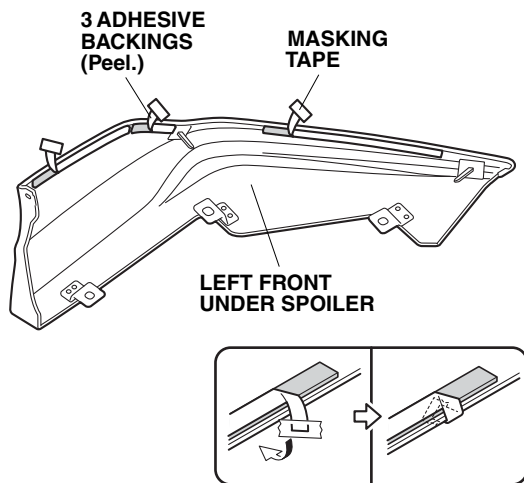


6. While wearing eye protection, drill the four pierced marks to 10 mm.
  - First drill with a 3 mm drill bit, and then with a 6 mm drill bit, with an 8 mm drill bit, and finish with a 10 mm drill bit. Remove any burrs.



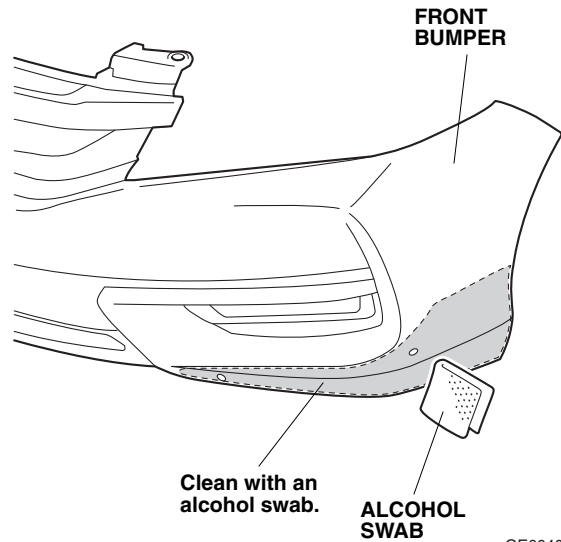
QE60402AG

7. Peel back the adhesive backings, and tape them to the front surface of the left front under spoiler with masking tape.



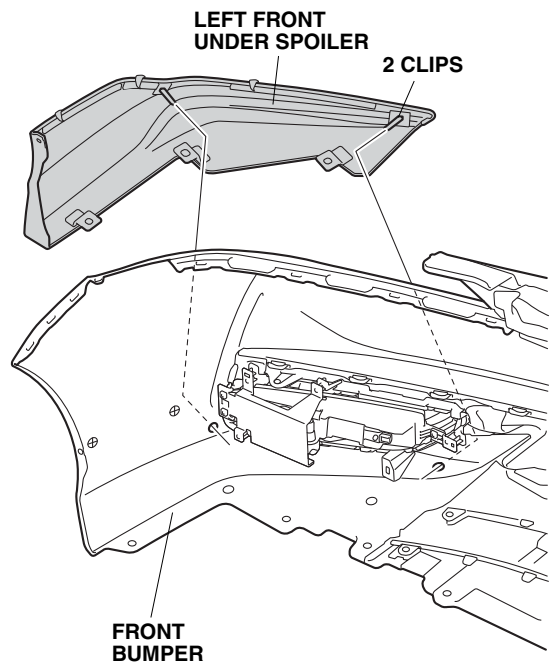
QE30211BC

8. Using one alcohol swab, thoroughly clean the front bumper where the left front under spoiler will attach.



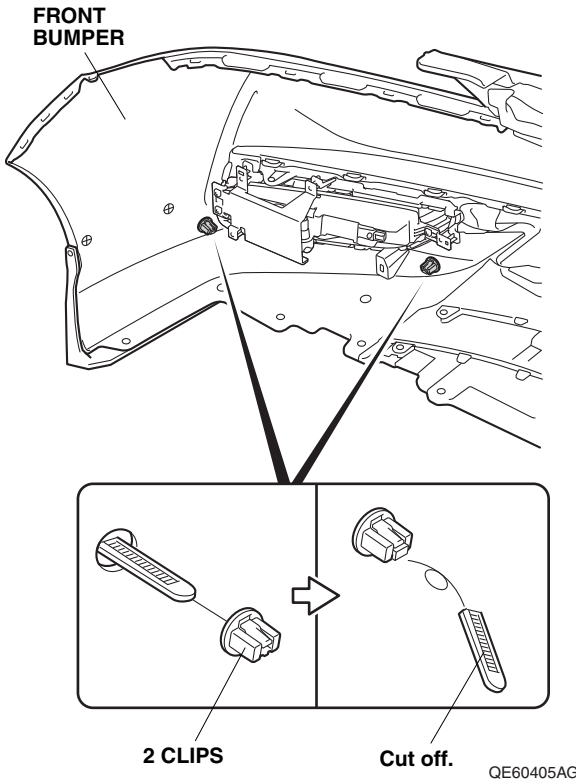
QE60403AG

9. Install the left front under spoiler to the front bumper.



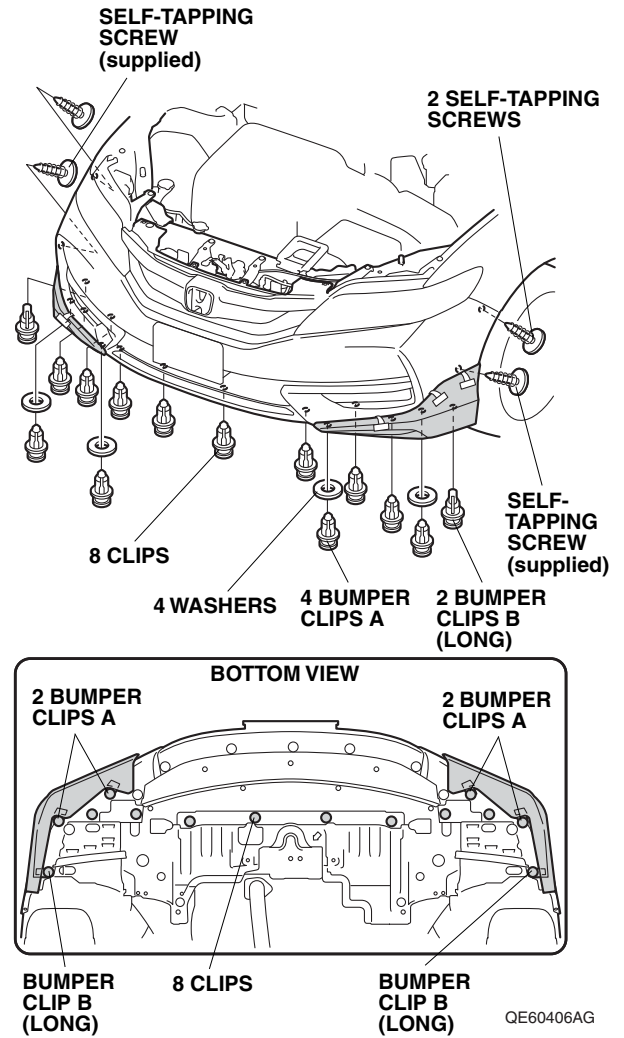
QE60404AG

- Secure the left front under spoiler with two clips.  
NOTE: Do not push the clip too tightly, or it may deform the left front under spoiler. Readjust the clips, if necessary.



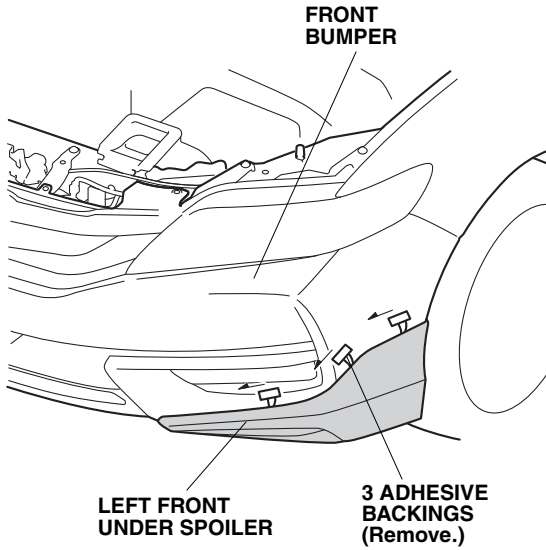
- Cut off the excess from the clips.
- Repeat steps 5 through 11 to install the right front under spoiler.

- With the help of an assistant, install the front bumper on the vehicle.



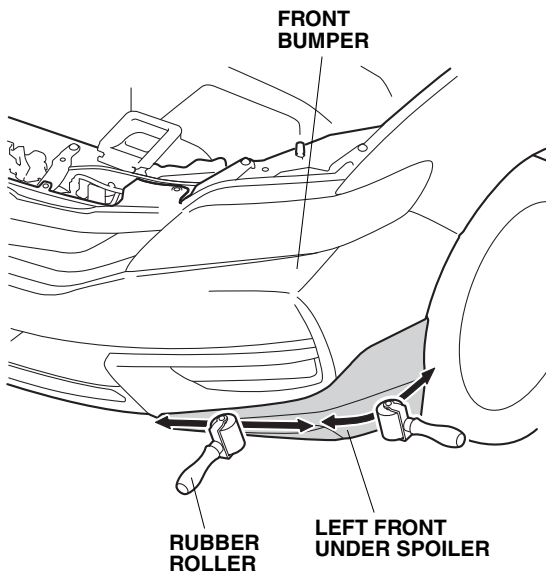
- Secure the left and right front under spoilers to the front bumper with four bumper clips A, two bumper clips B (long), four washers, and two self-tapping screws.

15. While applying light pressure against the left front under spoiler, carefully remove the adhesive backings.



QE60407AG

16. Using your hand, firmly press the left front under spoiler against the front bumper for 30 seconds.
17. Using a rubber roller, apply firm pressure while rolling to set the adhesive, especially at the ends.



QE60408AG

18. Repeat steps 15 through 17 to install the right front under spoiler.

19. Check that all wire harnesses are routed properly and all connectors are plugged in.
20. Install all removed parts.
21. Connect the negative cable to the battery.
22. Press and hold the audio unit power button for two seconds to restore the audio and navi (if equipped) system functions.
23. Reset the clock (on vehicles without navigation).