



# INSTALLATION INSTRUCTIONS

Accessory  
TRAILER HITCH

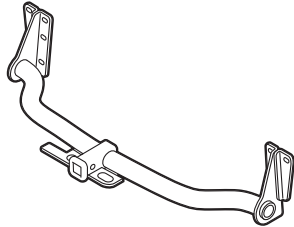
Application  
2014 CROSSTOUR

Publications No.  
All 50457  
Issue Date  
SEP 2013

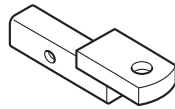
## PARTS LIST

Trailer Hitch Kit  
P/N 08L92-TP6-100A

Trailer hitch



Ball mount



2 Bolts, 8 x 40 mm



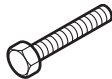
2 Spring washers, 8 mm



4 Plain washers, 8 mm



6 Bolts, 10 x 40 mm



6 Spring washers, 10 mm



6 Plain washers, 10 mm



4 Nuts, 10 mm



6 Flange bolts, 12 x 40 mm



8 Plain washers, 12 mm



6 Spring washers, 12 mm



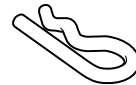
6 Nuts, 12 mm



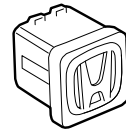
Hitch pin



Hair pin clip



Receiver cover



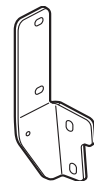
Right gusset



Left gusset



Right bracket

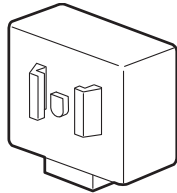


Left bracket

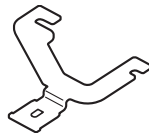


**Harness Kit (sold separately)  
P/N 08L91-TP6-100A**

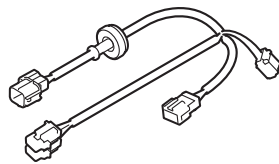
Control unit



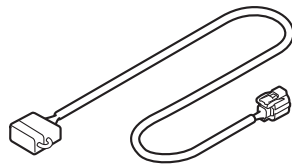
Control unit bracket



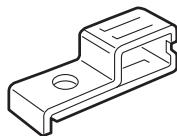
Control unit harness



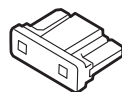
Socket harness



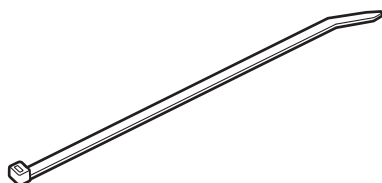
Connector bracket



Fuse



5 Wire ties



Flange bolt, 6 x 16 mm



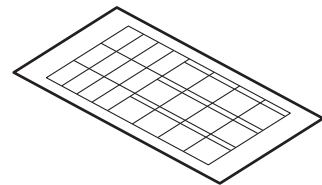
Flange nut



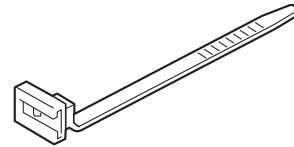
Connector clip  
(Some may not used)



Fuse label



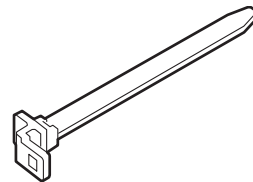
Wire tie with holder



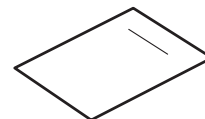
5 Short wire ties



2 Wire ties with clip  
(Some may not used)



Accessory User's Information Manual



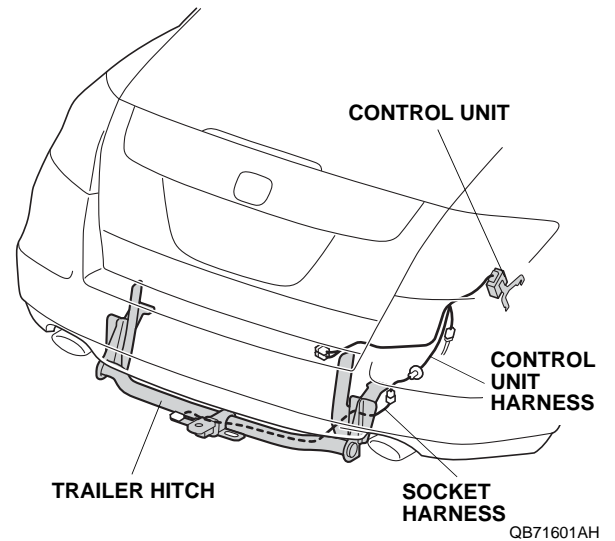
## TOOLS AND SUPPLIES REQUIRED

Phillips screwdriver  
Flat-tip screwdriver  
10 mm, 12 mm, 14 mm, and 17 mm Combination wrenches  
10 mm, 12 mm, 14 mm, and 17 mm Sockets  
Ratchet  
Ruler  
Diagonal cutters  
Isopropyl alcohol  
Shop towel  
File  
Felt-tip pen  
Blanket  
Torque wrench  
Tin snips  
2 Cardboard boxes (180 mm height)  
Drill  
Step drill  
Eye protection (face shield, safety goggles, etc.)  
Touch-up paint  
Tape

*The following tools are available through the Honda Tool and Equipment Program. On the iN, click on: Service > Service Bay > Tool and Equipment Program, then enter the number under "Search". Or, call 888-424-6857.*

- Plastic Trim Tool (T/N SILTRIMTL10)
- Trim Tool Set (T/N SOJATP2014)

## Illustration of the Trailer Hitch on the Vehicle



## INSTALLATION

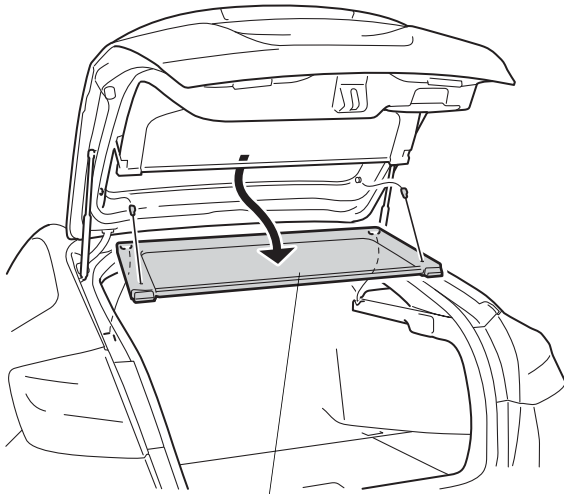
**Customer Information:** The information in this installation instruction is intended for use only by skilled technicians who have the proper tools, equipment, and training to correctly and safely add equipment to your vehicle. These procedures should not be attempted by "do-it-yourselfers."

**NOTE:** Install the backup sensor first when both the backup sensor and the trailer hitch are to be mounted on the vehicle.

1. Make sure you have the anti-theft codes for the audio and navigation system (if equipped), then write down the radio station presets.
2. Disconnect the negative cable from the battery.

## Removing the Vehicle Parts

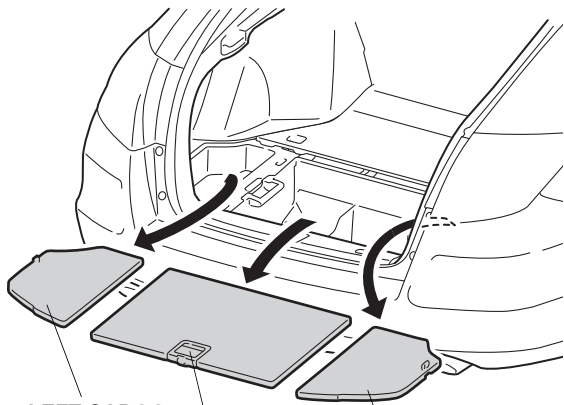
3. If equipped, remove the rear shelf.



**REAR SHELF**  
(if equipped)

940332AR

4. Remove the rear cargo floor lid, left cargo floor lid, and right cargo floor lid.



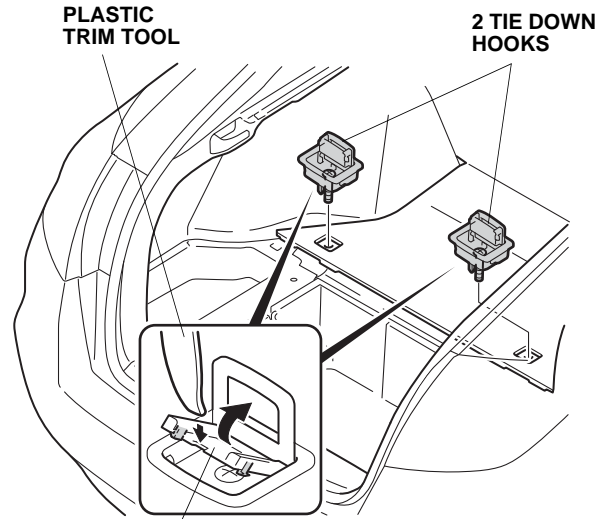
**LEFT CARGO**  
**FLOOR LID**

**REAR CARGO**  
**FLOOR LID**

**RIGHT CARGO**  
**FLOOR LID**

940306AR

5. Using a plastic trim tool, pry open the screw cover. Remove the tie down hook (one screw). Remove the other tie down hook the same way.



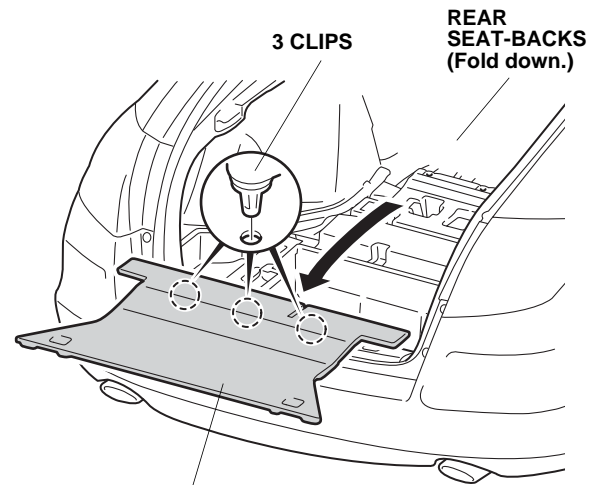
**PLASTIC**  
**TRIM TOOL**

**2 TIE DOWN**  
**HOOKS**

**SCREW COVER**  
(Pry open.)

940307AR

6. Fold down the rear seat-backs. Remove the front cargo floor lid (three clips).



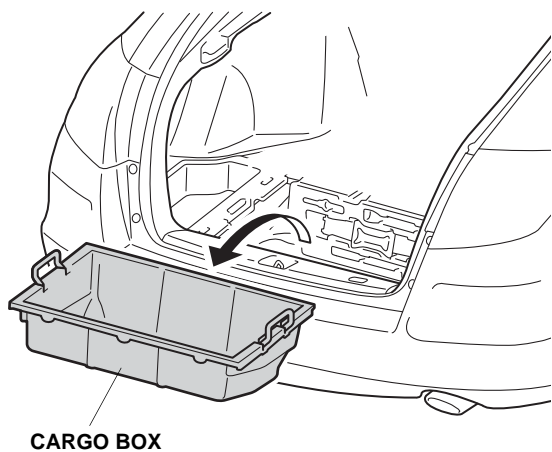
**3 CLIPS**

**REAR**  
**SEAT-BACKS**  
(Fold down.)

**FRONT CARGO**  
**FLOOR LID**

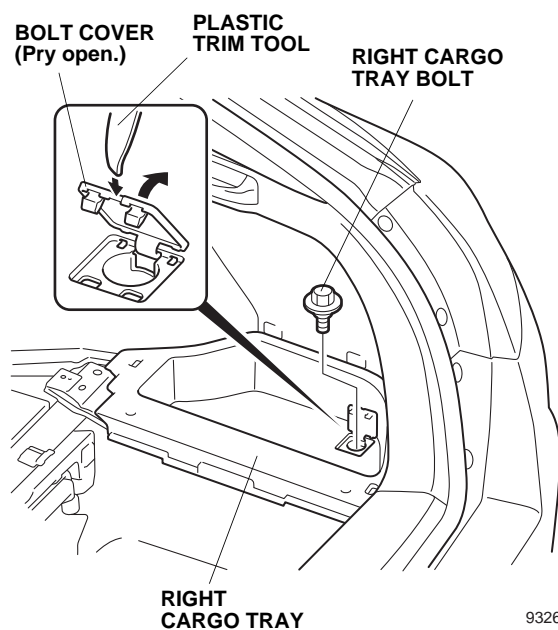
940308AR

7. Remove the cargo box.



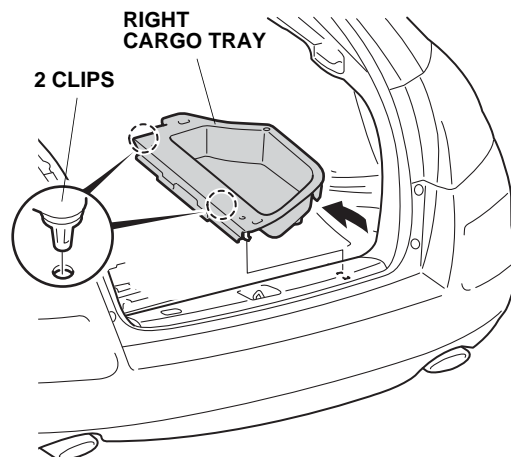
940309AR

8. Pry open the bolt cover, and remove the right cargo tray bolt.



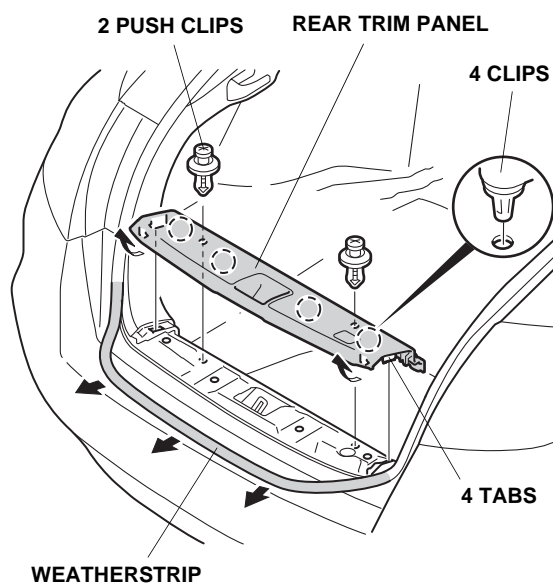
932638AS

9. Remove the right cargo tray (two clips).



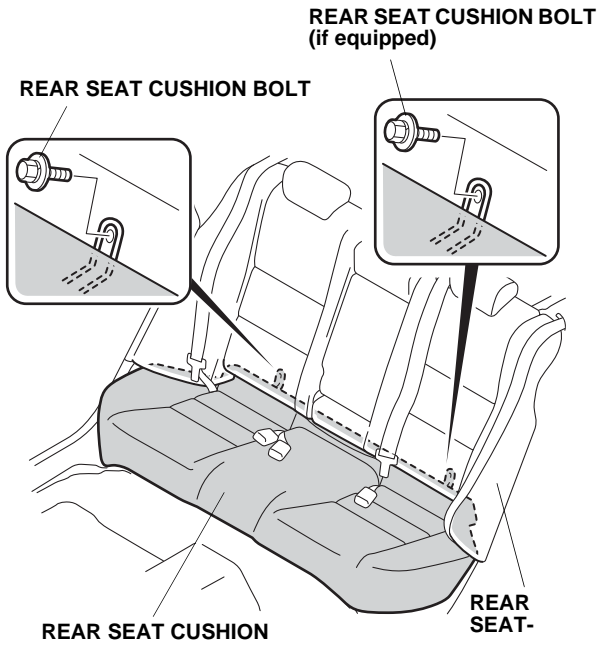
932639AS

10. Pull away the weatherstrip in the area shown. Remove the rear trim panel (two push clips, four clips, and four tabs).



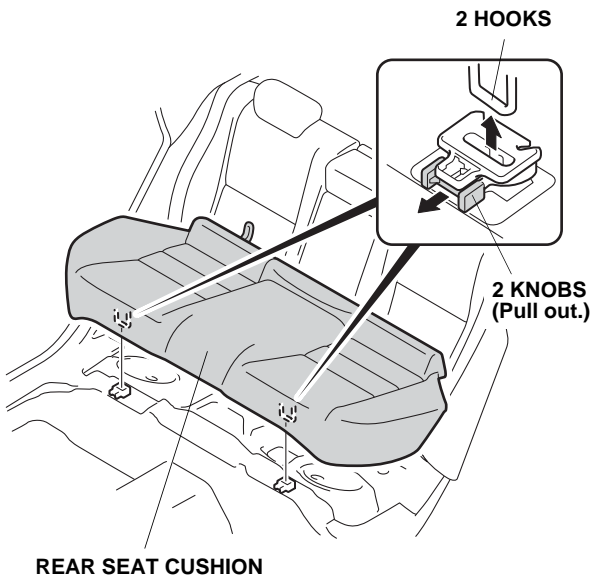
940312AR

11. Fold up the rear seat-backs. Remove the rear seat cushion bolt(s).



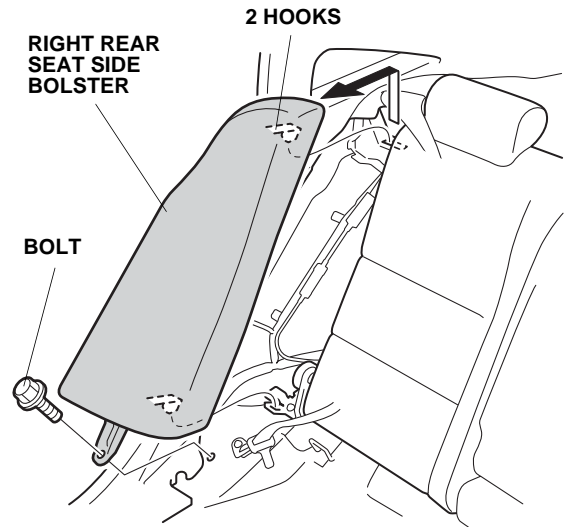
932649AS

12. Pull out on the two knobs to release the two hooks, and remove the rear seat cushion.



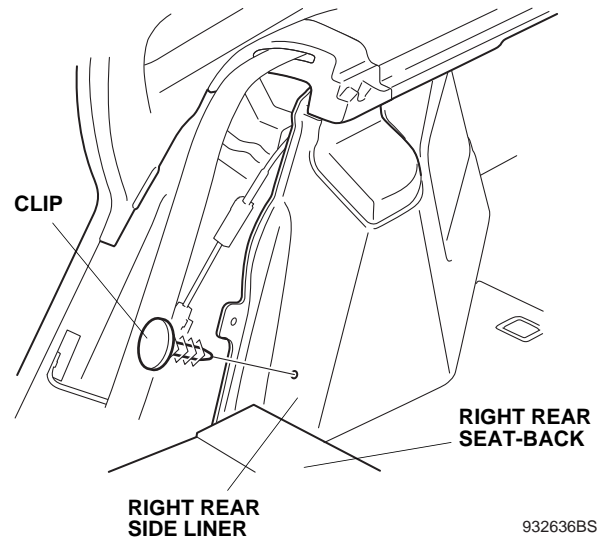
QB90602AH

13. Remove the right rear seat side bolster (one bolt and two hooks).



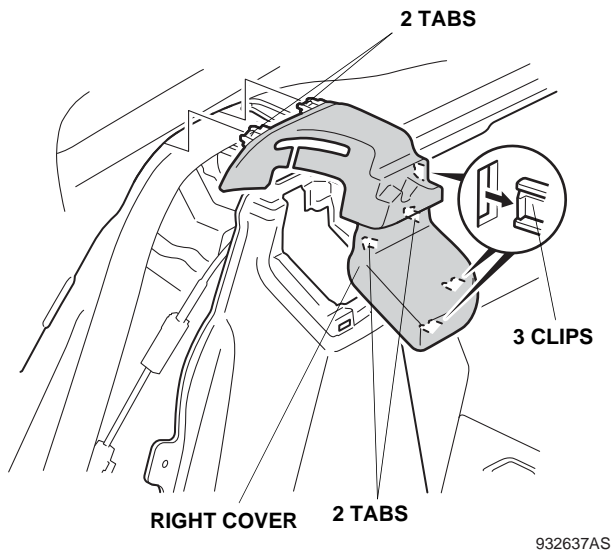
932635BS

14. Fold down the right rear seat-back. Remove the clip from the right rear side liner.

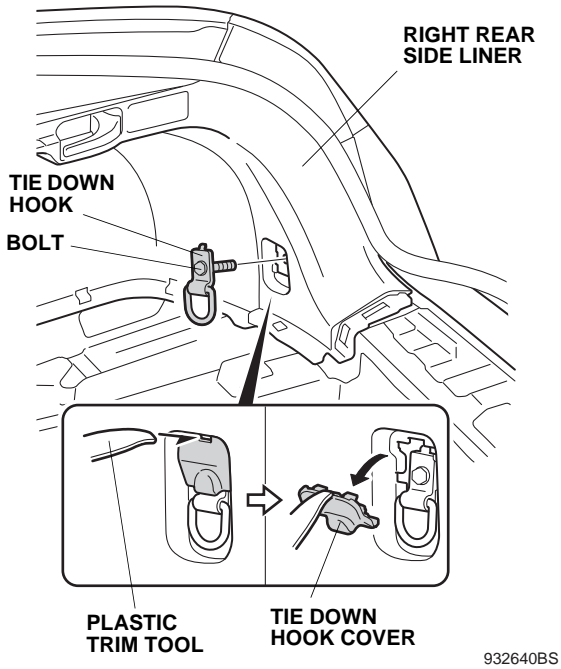


932636BS

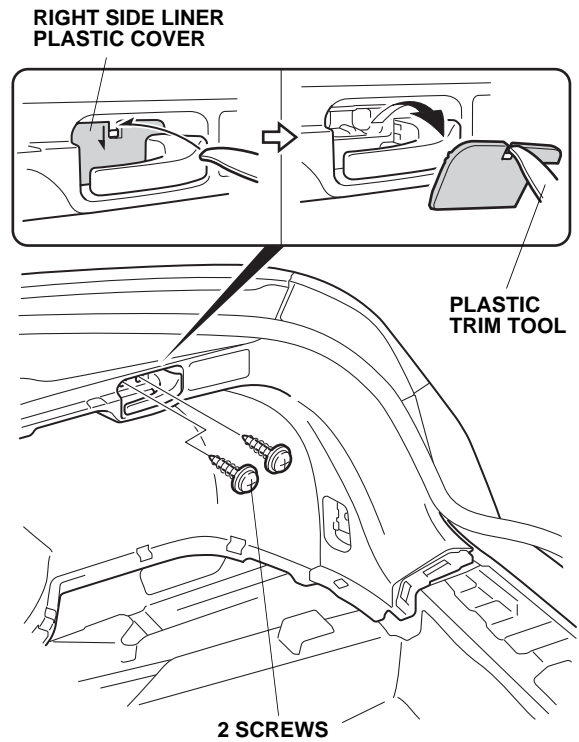
15. Remove the right cover (three clips and four tabs).



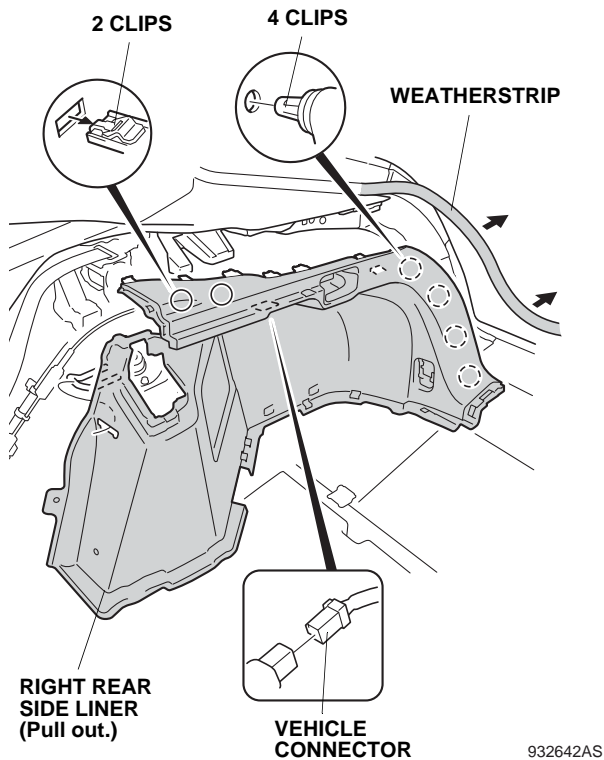
16. Using a plastic trim tool, remove the tie down hook cover. Remove the tie down hook (one bolt).



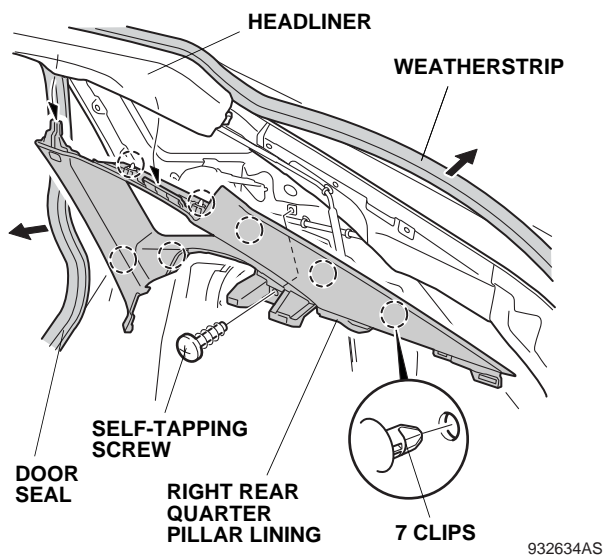
17. Using a plastic trim tool, remove the right side liner plastic cover. Remove the two screws under the cover.



18. Pull away the weatherstrip around the right rear side liner. Remove the six clips and unplug the vehicle connector, then pull the right rear side liner out of the way.

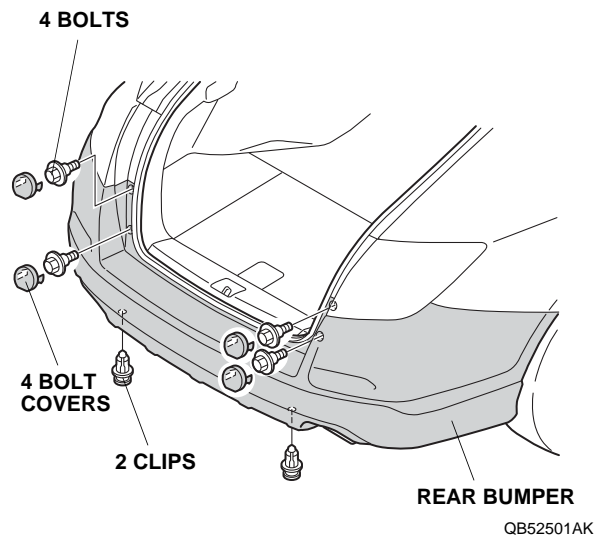


19. Pull away the weatherstrip and door seal from around the right rear quarter pillar lining. Remove the right rear quarter pillar lining (one self-tapping screw and seven clips). Be careful not to crease the headliner.

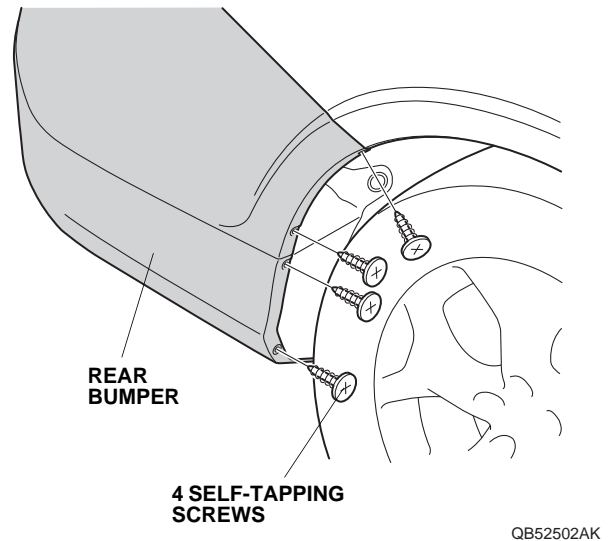


20. Remove the rear bumper:

- Remove the four bolt covers, four bolts, and two clips.

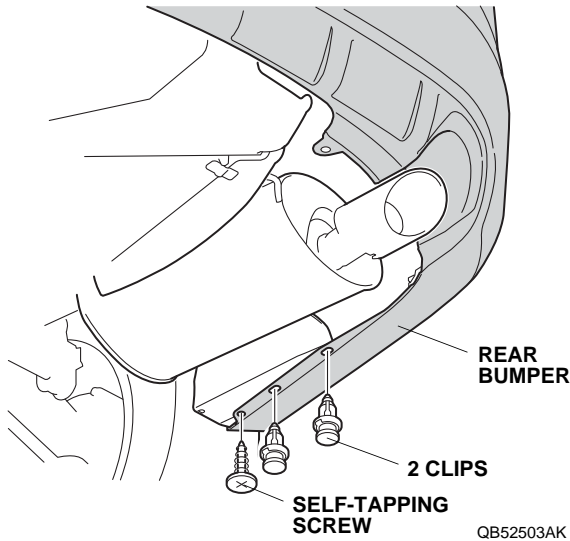


- On each side, remove the four self-tapping screws at the fenderwell.

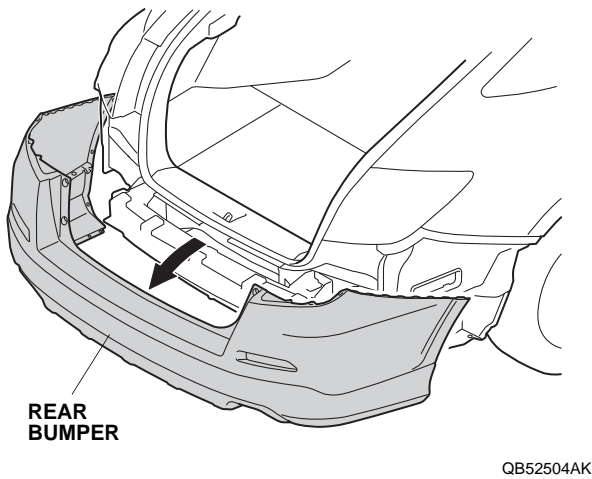




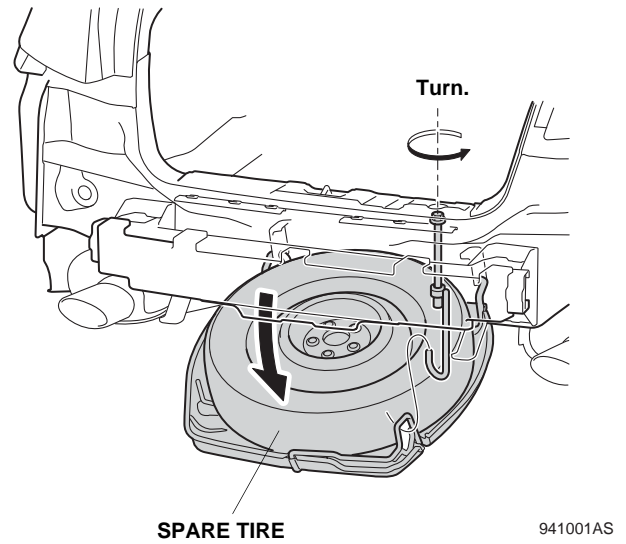
- Under the rear bumper, remove the two clips and one self-tapping screw on each side.



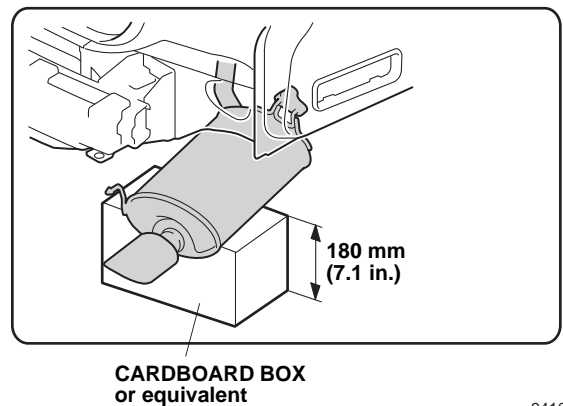
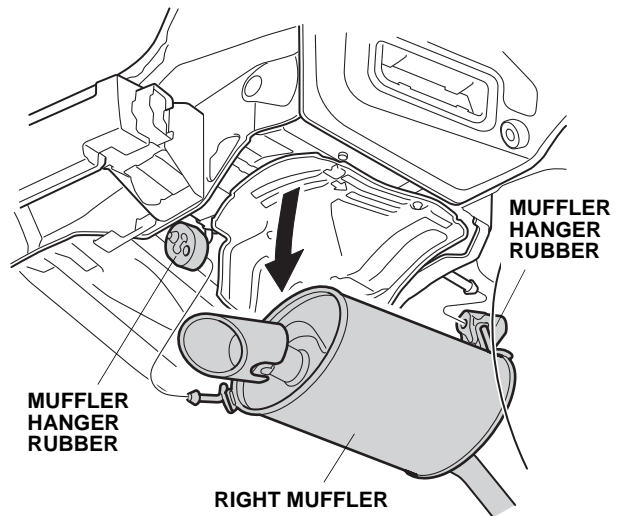
- With the help of an assistant, remove the rear bumper. Place the rear bumper on a blanket to prevent damage.



- Lower the spare tire as shown.

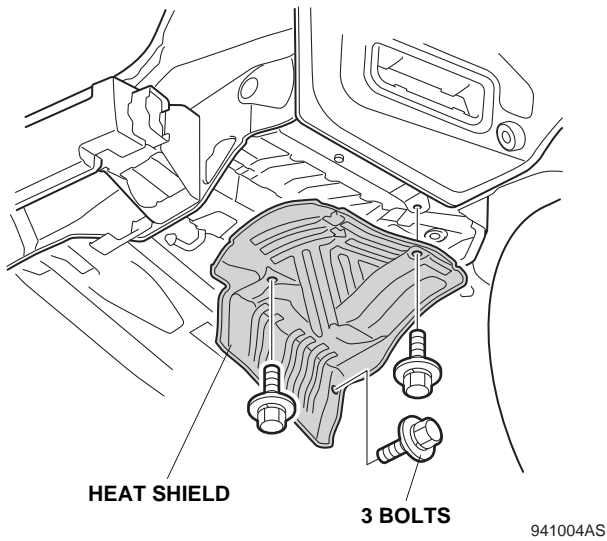


- Lower the right muffler. Hold the right muffler using 180 mm (7.1 in.) height cardboard box or equivalent. NOTE: Be careful not to damage the muffler.

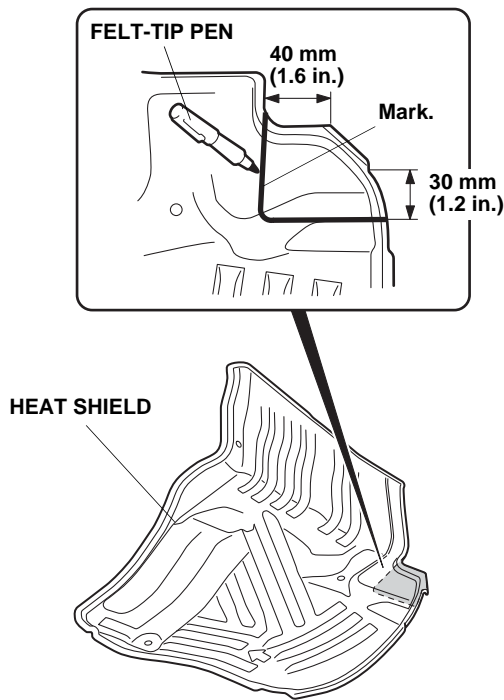


941003AS

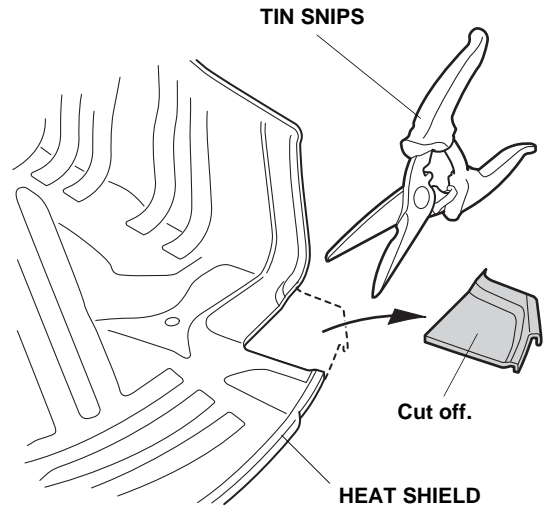
23. Remove the heat shield (three bolts).



24. Using a felt-tip pen, mark the heat shield as shown.



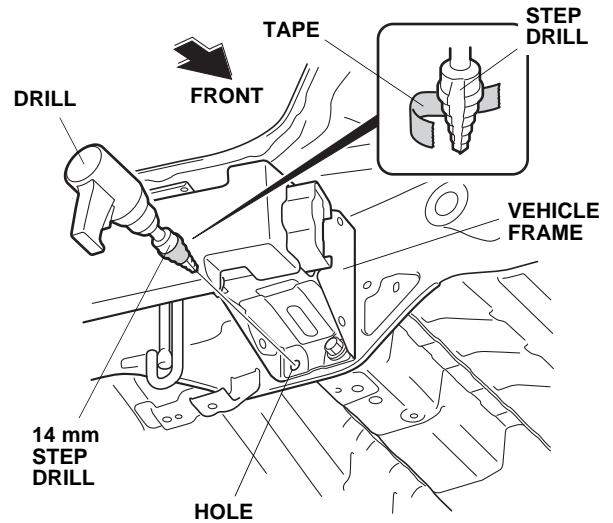
25. Using tin snips, cut off the heat shield as shown. Remove any burrs from the cutting edge.



26. Repeat steps 22 through 25 to mark and cut the heat shield on the other side.

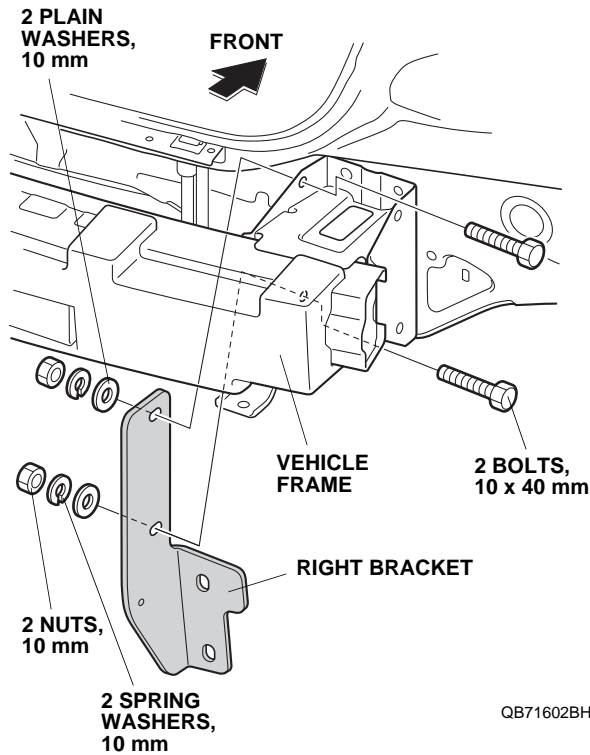
#### Installing the Trailer Hitch

27. Wrap tape to the step drill. While wearing eye protection, enlarge the hole of the vehicle frame position shown using a 14 mm step drill.

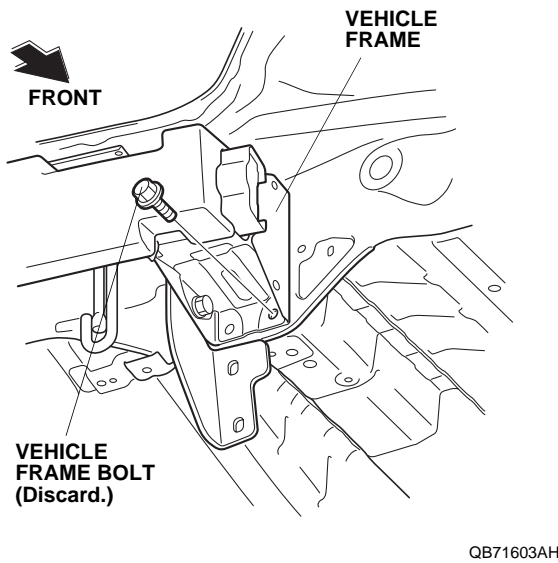


28. Remove all burrs with a file, and apply touch-up paint to the edge of the hole.

29. Loosely install the right bracket, two 10 x 40 mm bolts, two 10 mm nuts, two 10 mm spring washers, and two 10 mm plain washers.

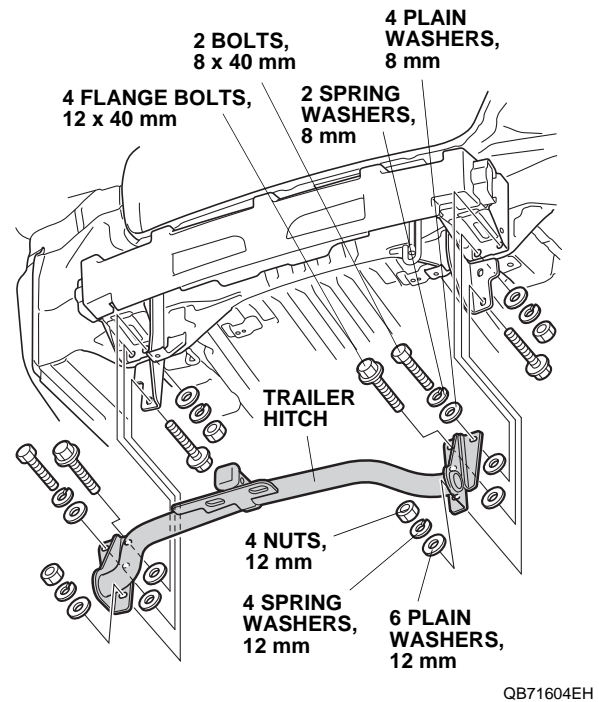


30. Remove the vehicle frame bolt as shown.

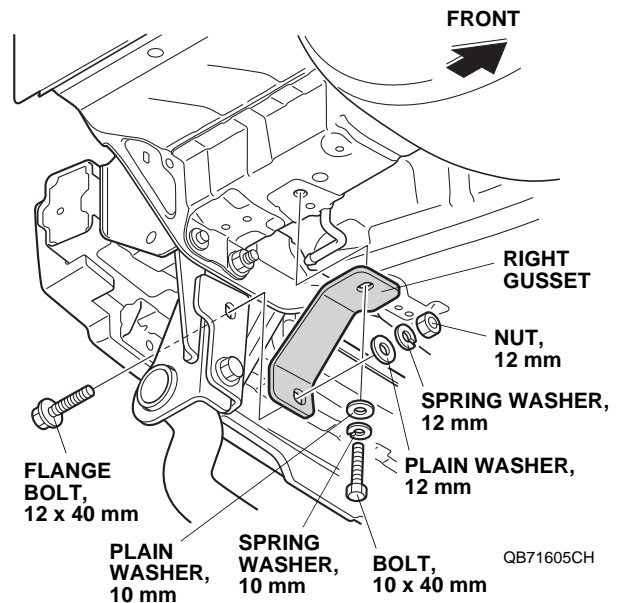


31. Repeat steps 29 and 30 on the other side.

32. With the help of an assistant, position the trailer hitch as shown. Loosely install two 8 x 40 mm bolts, four 12 x 40 mm flange bolts, four 12 mm nuts, two 8 mm spring washers, four 12 mm spring washers, four 8 mm plain washers, and six 12 mm plain washers.



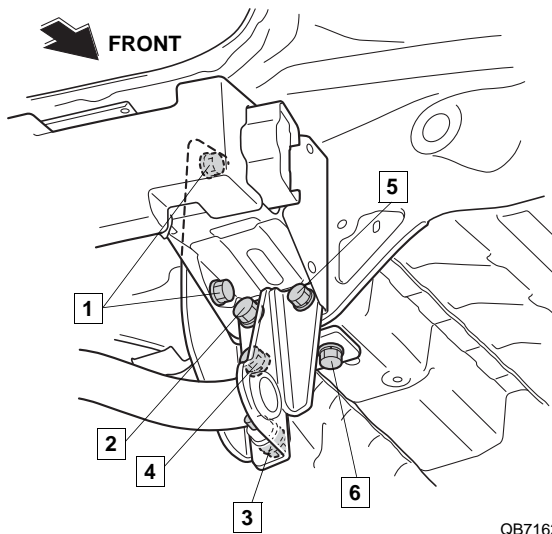
33. Loosely install the right gusset, 10 x 40 mm bolt, 12 x 40 mm flange bolt, 12 mm nut, 10 mm spring washer, 12 mm spring washer, 12 mm plain washer, and 10 mm plain washer.



34. Repeat step 33 on the other side.

35. Tighten the installed the right side bolts and flange bolts to the specified torque in the order of **1** through **6**.

- 12 x 40 mm Flange bolts  
Torque: 79 N·m (8.1 kgf·m, 58 lbf·ft)
- 10 x 40 mm Bolts  
Torque: 46 N·m (4.7 kgf·m, 34 lbf·ft)
- 8 x 40 mm Bolts  
Torque: 30 N·m (3.1 kgf·m, 22 lbf·ft)



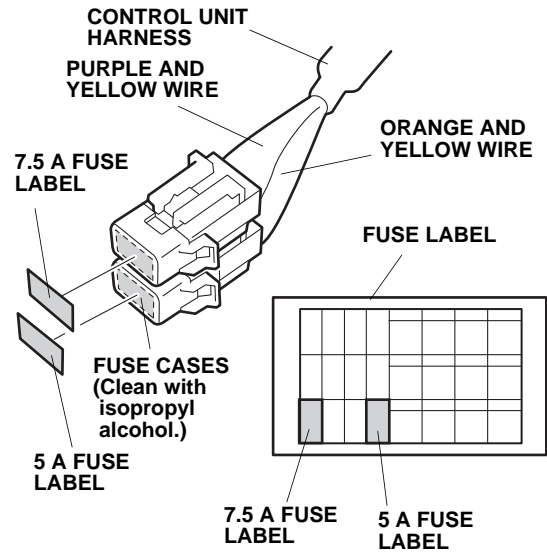
QB71622BH

36. Repeat step 35 on the other side.
37. According to the same procedure as steps 35 and 36, torque all the installed bolts again to the specified torque.

**NOTICE:** Confirm torque again after tightening them with the specified torque.

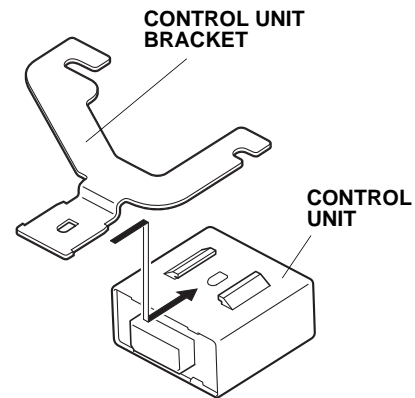
### Installing the Control Unit

38. Using isopropyl alcohol on a shop towel, clean the areas where the fuse labels will attach.



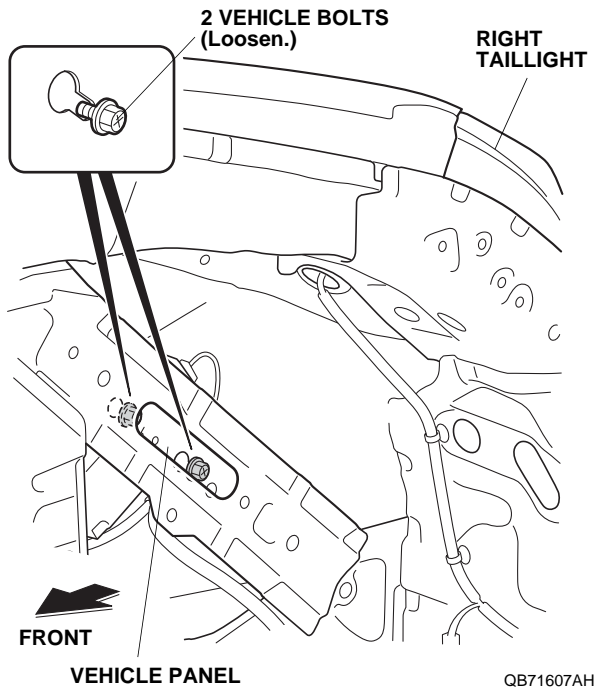
941023BS

39. Attach the fuse labels to the fuse cases on the control unit harness as shown.
40. Install the control unit bracket onto the control unit.

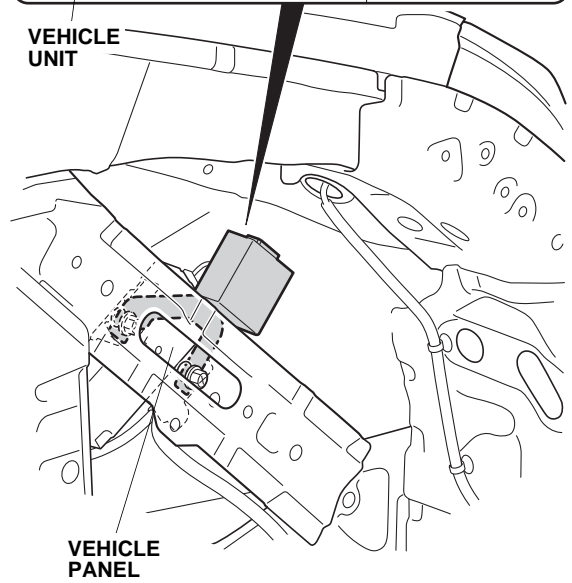
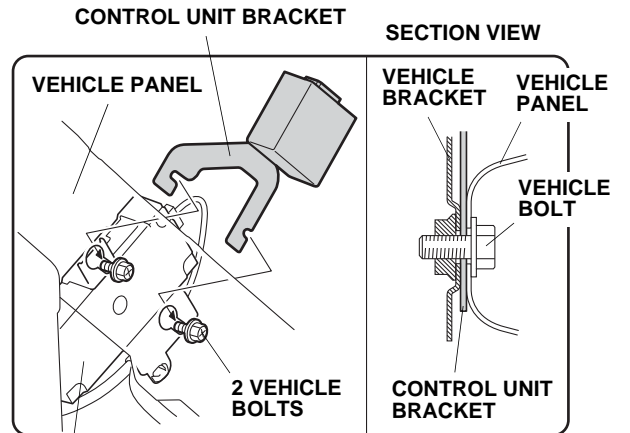


QB71606AH

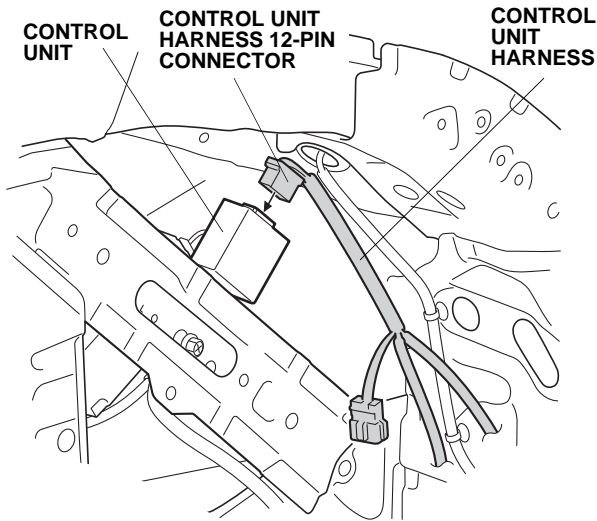
41. Loosen the two vehicle bolts on the vehicle panel.



42. Install the control unit bracket to the vehicle panel with the two vehicle bolts.



43. Plug the control unit harness 12-pin connector to the control unit.

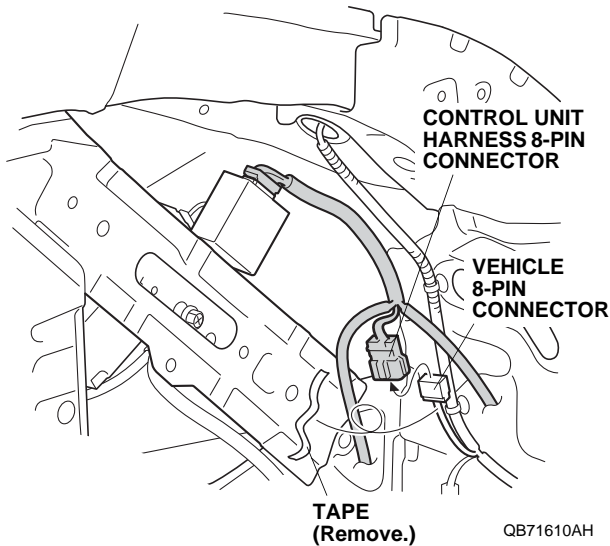


QB71609AH

- If the vehicle is not equipped with backup sensors, continue with step 44; otherwise, go to step 53.

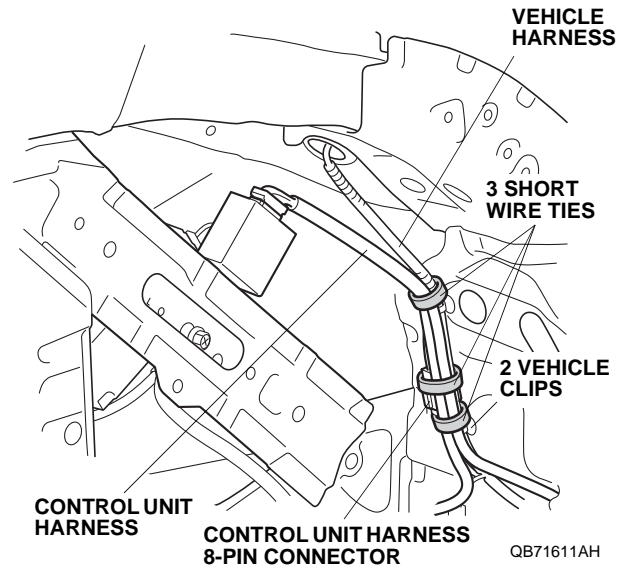
Without Backup Sensors Models

44. Remove the tape. Plug the vehicle 8-pin connector to the control unit harness 8-pin connector.



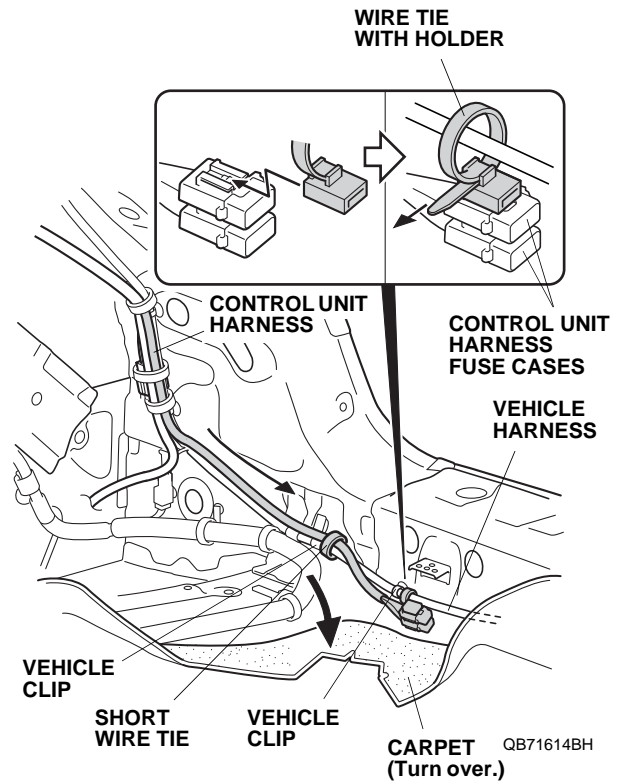
QB71610AH

45. Secure the control unit harness to the vehicle harness with three short wire ties.



QB71611AH

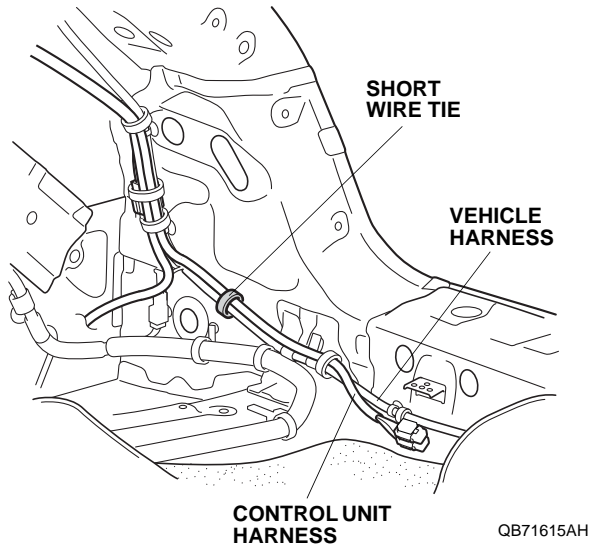
46. Turn over the carpet. Secure the control unit harness fuse cases to the vehicle harness with one wire tie with holder.



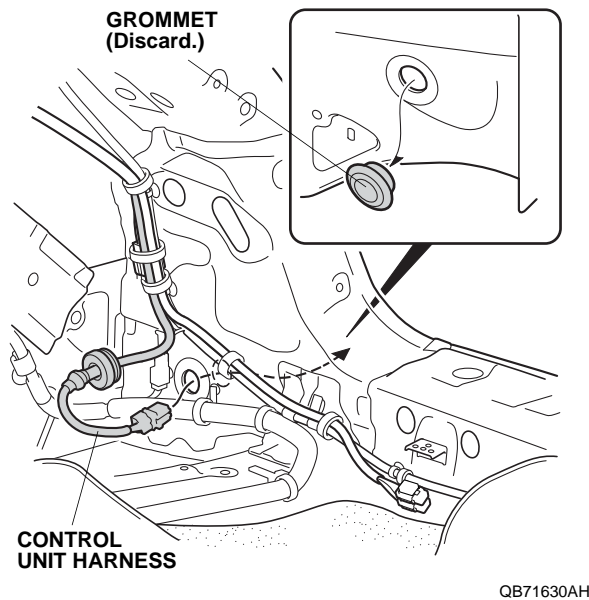
QB71614BH

47. Secure the control unit harness to the vehicle harness with one short wire tie.

48. Secure the control unit harness to the vehicle harness with one short wire tie.



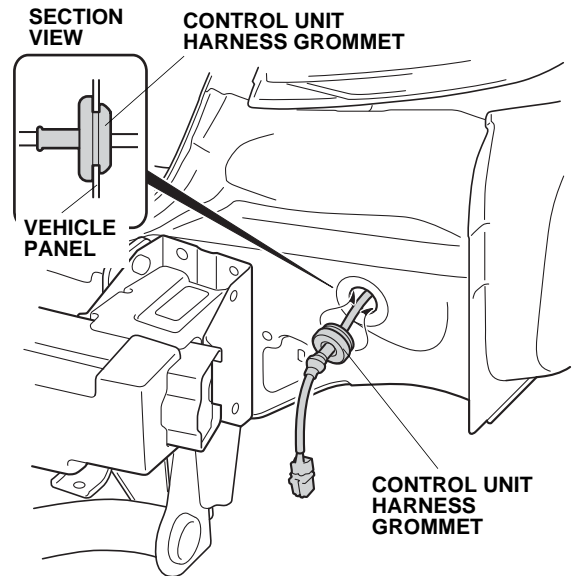
49. Remove the grommet. Route the control unit harness as shown.



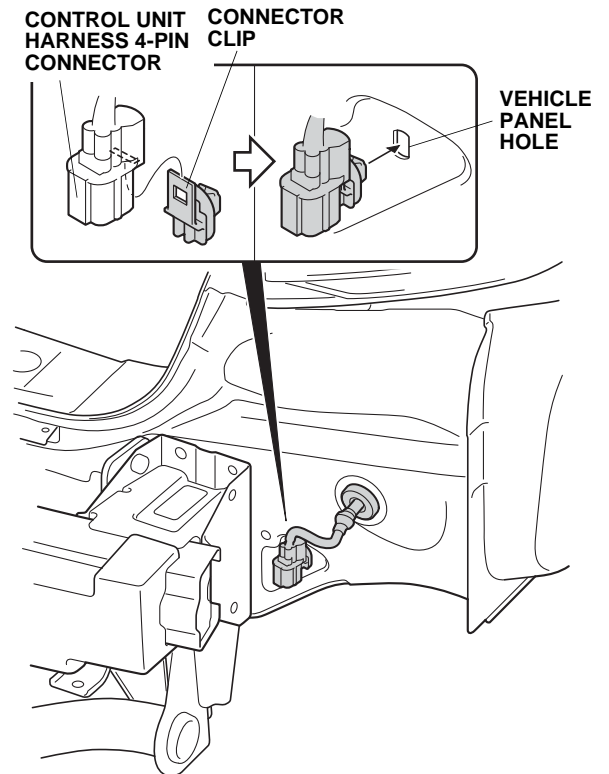
50. Install the control unit harness grommet.

NOTE:

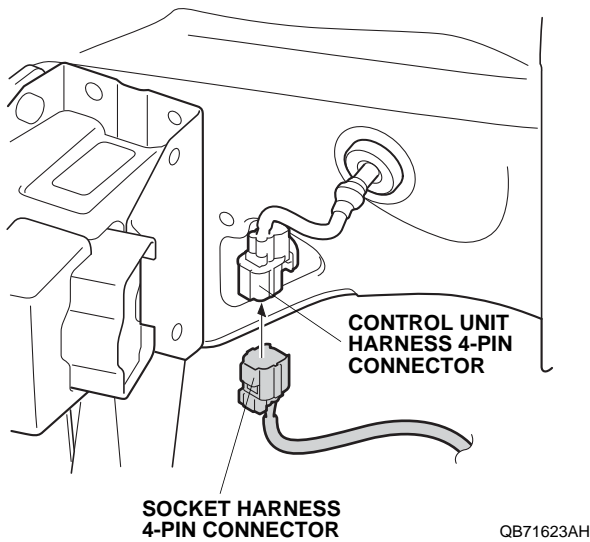
- Install the control unit harness by holding the grommet.
- Make sure to check that the grommet is secured properly.



51. Secure the control unit harness 4-pin connector to the vehicle panel hole with connector clip.

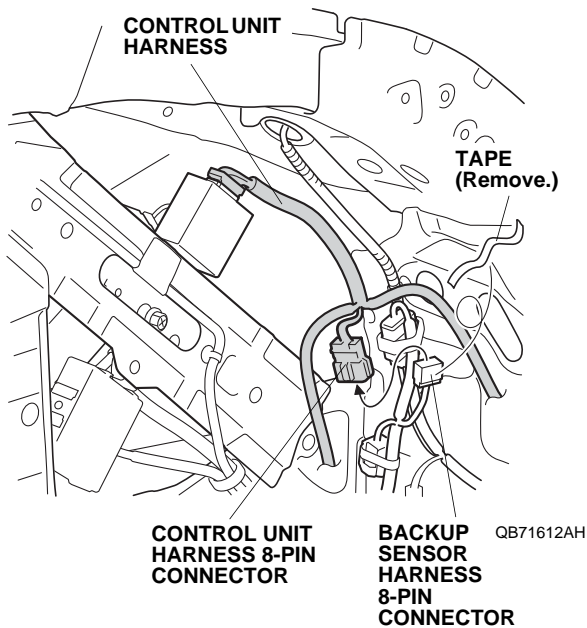


52. Plug the socket harness 4-pin connector to the control unit harness 4-pin connector.  
Go to step 63.

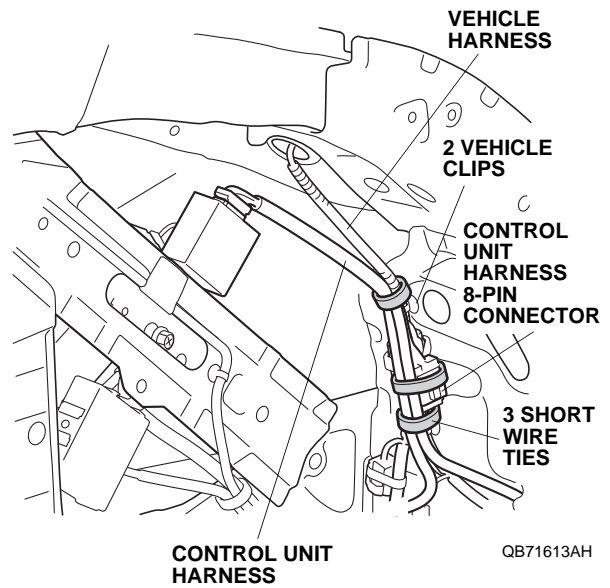


**With Backup Sensors Models**

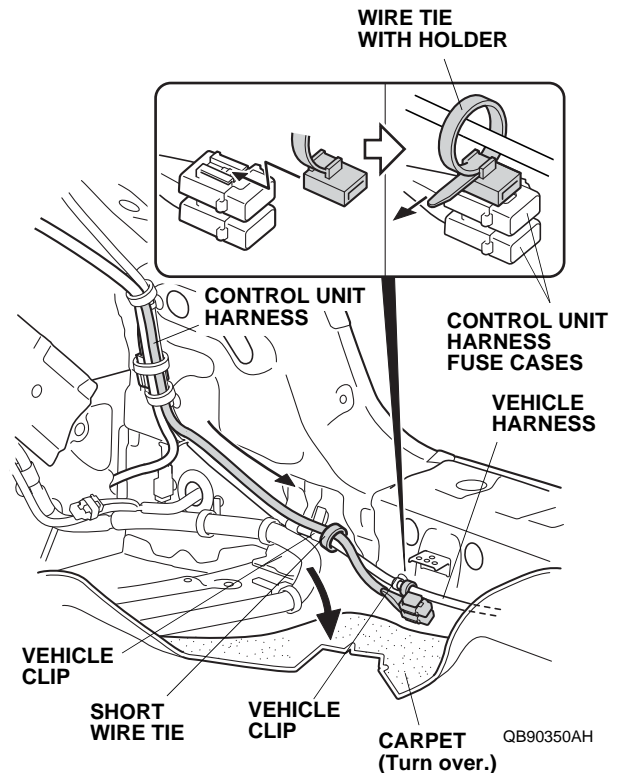
53. Remove the tape. Plug the backup sensor harness 8-pin connector to the control unit harness 8-pin connector.



54. Secure the control unit harness to the vehicle harness with three short wire ties.



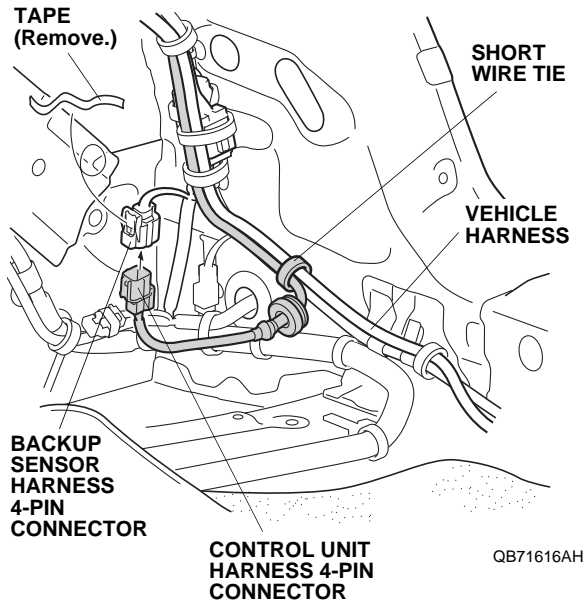
55. Turn over the carpet. Secure the control unit harness fuse cases to the vehicle harness with one wire tie with holder.



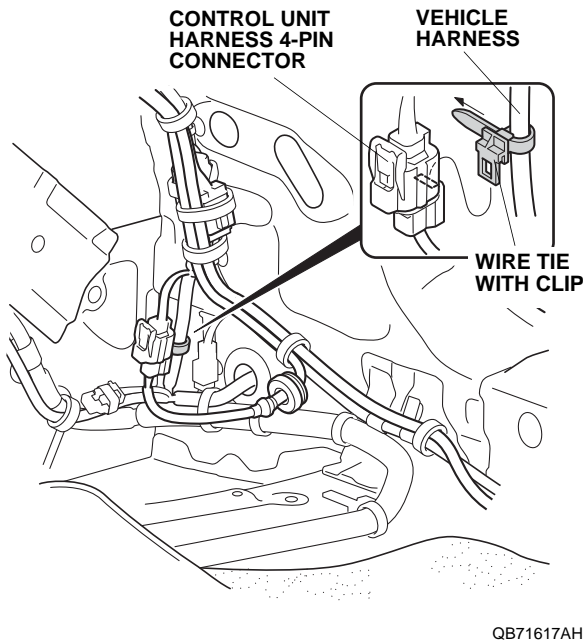
56. Secure the control unit harness to the vehicle harness with one short wire tie.



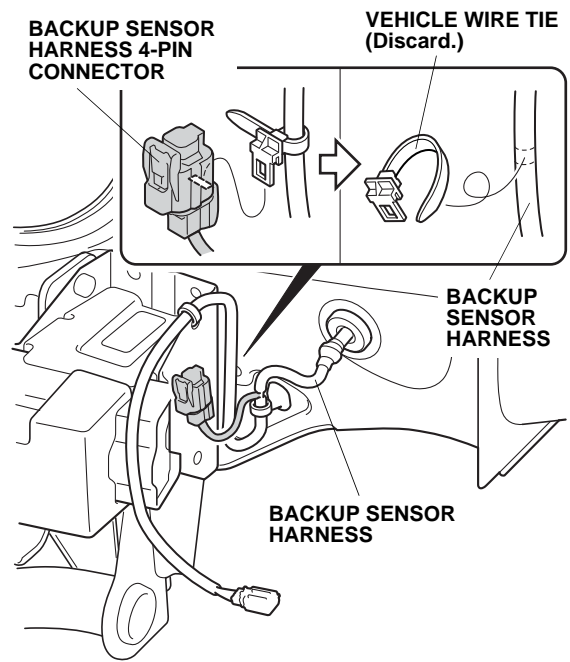
57. Remove the tape. Plug the control unit harness 4-pin connector to the backup sensor harness 4-pin connector.



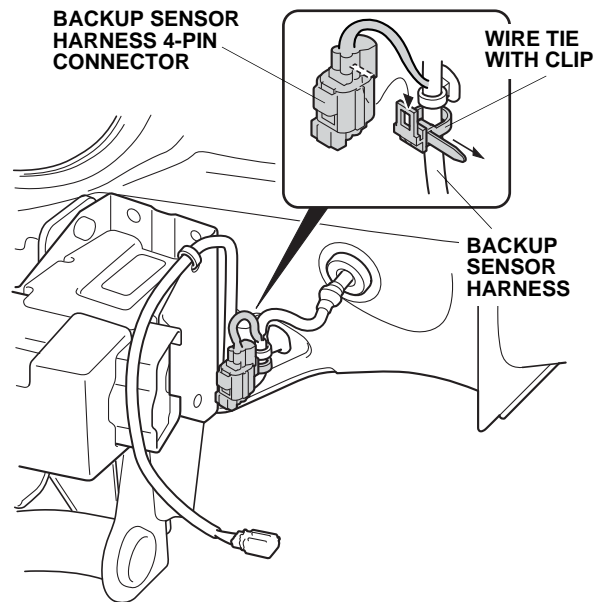
58. Secure the control unit harness to the vehicle harness with one short wire tie.
59. Secure the control unit harness 4-pin connector to the vehicle harness with one wire tie with clip.



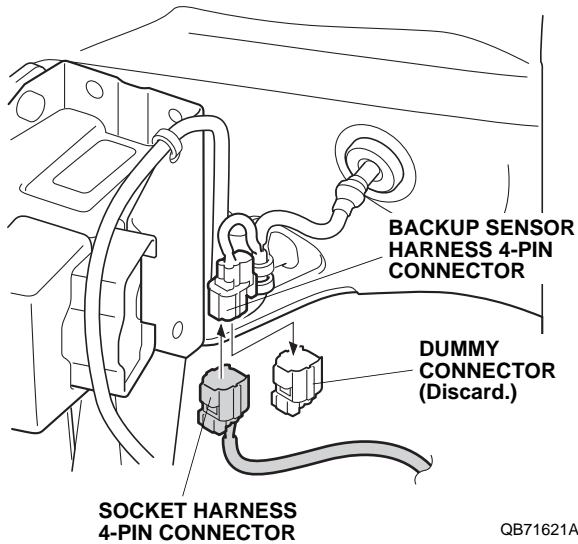
60. Remove the backup sensor harness 4-pin connector and the vehicle wire tie. Be careful not to damage the backup sensor harness.



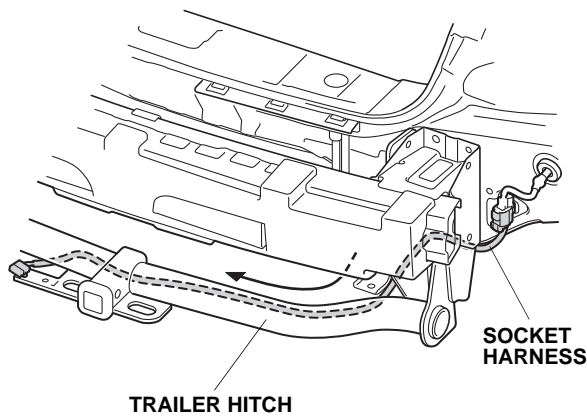
61. Secure the backup sensor harness 4-pin connector to the backup sensor harness with one wire tie with clip.



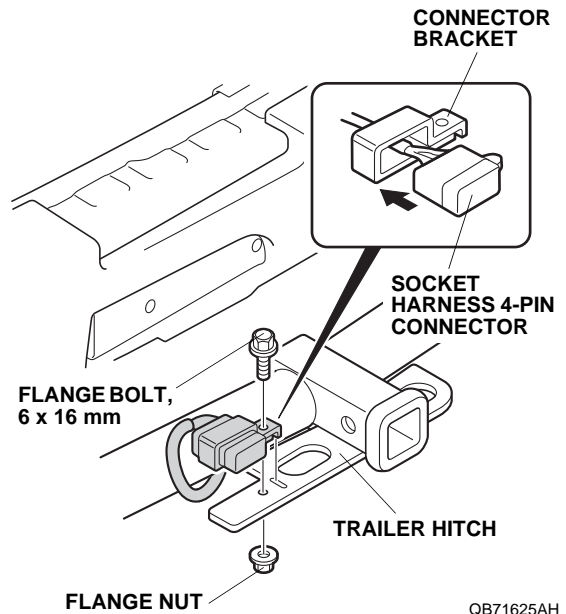
62. Remove the dummy connector. Plug the socket harness 4-pin connector to the backup sensor harness 4-pin connector.



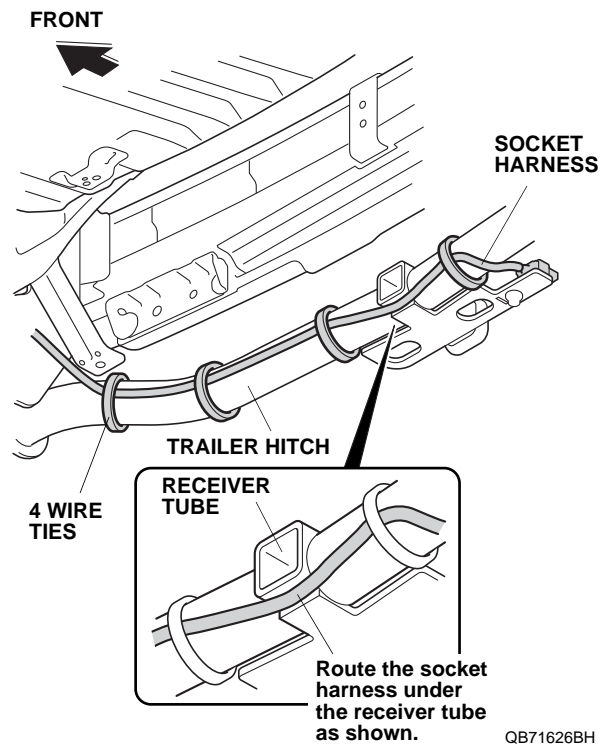
63. Route the socket harness along the trailer hitch as shown.



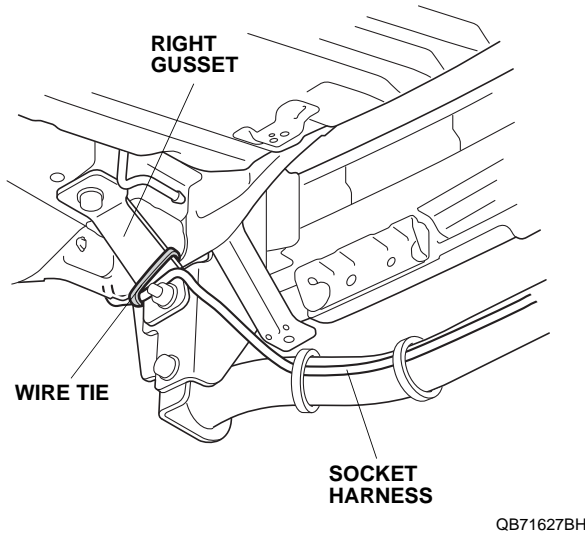
64. Install the connector bracket on the socket harness 4-pin connector, and secure them to the trailer hitch with the 6 x 16 mm flange bolt and flange nut.



65. Secure the socket harness to the trailer hitch with four wire ties.

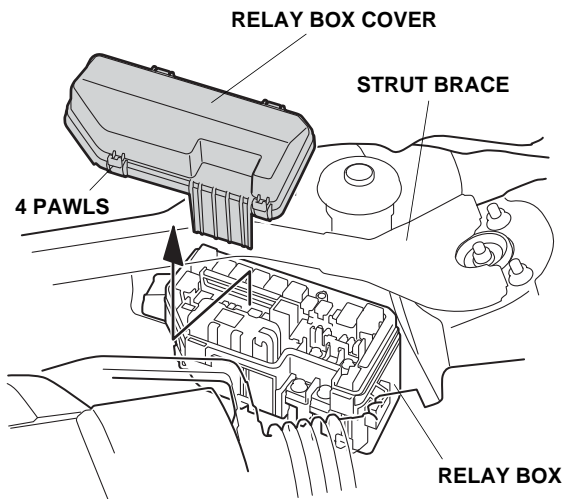


66. Secure the socket harness to the right gusset with one wire tie.

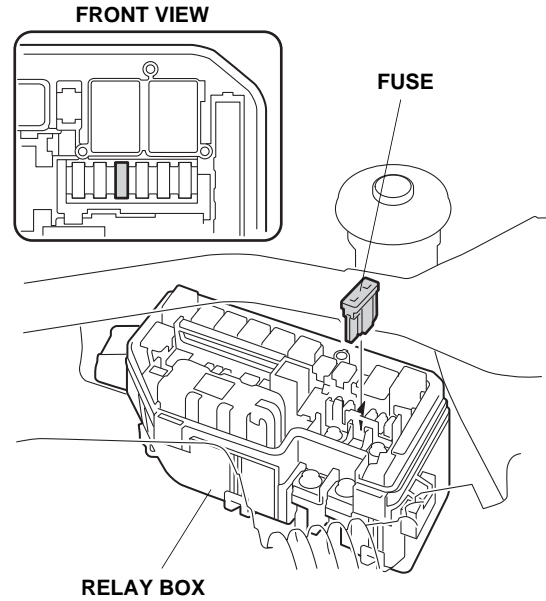


### Installing the Fuse

67. Remove the relay box cover (four pawls).



68. Install the fuse to the relay box as shown.

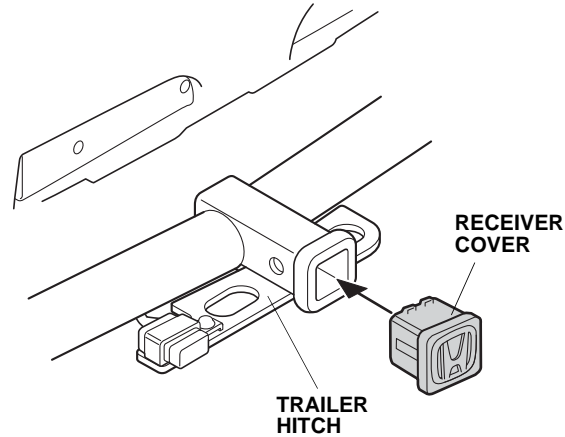


69. Check that all wire harnesses are routed properly and all connectors are plugged in.
70. Reinstall all removed parts.
71. Reconnect the negative cable to the battery.
72. Enter the anti-theft codes for the radio and navigation systems, then enter the customer's radio presets.
73. Reset the clock.
74. Secure the ball mount to the trailer hitch with one hitch pin and one hair pin clip.

**Give a copy of this page to your customer**

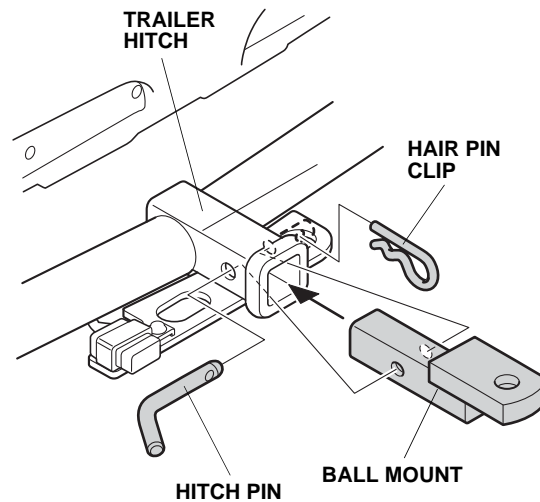
### **Installing the Receiver Cover**

Whenever you remove the hair pin clip, the hitch pin, and the ball mount, store them securely in the cargo area. Install the receiver cover into the opening at the end of the trailer hitch. When you reinstall the ball mount, store the receiver cover in the cargo area.



QB71628AH

Install the ball mount into the trailer hitch using the hair pin clip and the hitch pin.



QB71629AH

After the first 600 miles (1,000 km) of towing, have your Honda Dealer recheck the tightness of the trailer hitch bolts.