



# INSTALLATION INSTRUCTIONS

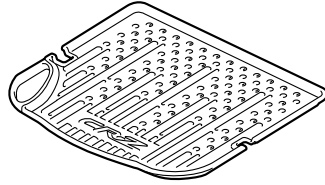
Accessory  
**CARGO TRAY**  
P/N 08U45-SZT-100

Application  
**2014 CR-Z**

Publications No.  
**All 50495**  
Issue Date  
**SEP 2013**

## PARTS LIST

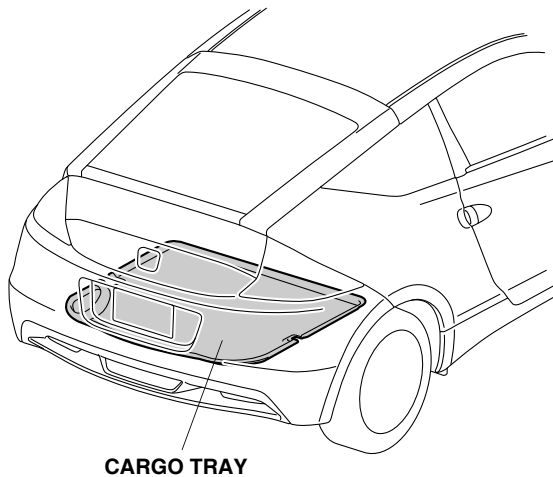
Cargo tray



## TOOLS AND SUPPLIES REQUIRED

Scissors

### Illustration of the Cargo Tray in the Vehicle



CARGO TRAY

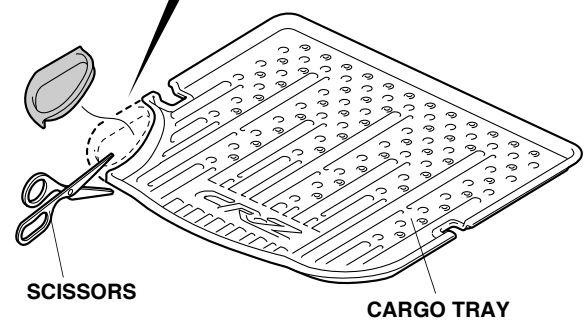
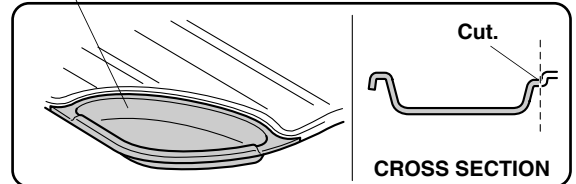
## INSTALLATION

**Customer Information:** The information in this installation instruction is intended for use only by skilled technicians who have the proper tools, equipment, and training to correctly and safely add equipment to your vehicle. These procedures should not be attempted by "do-it-yourselfers."

If the vehicle is equipped with a subwoofer, continue with step 1. If not, go to step 2.

1. Using scissors, cut the cargo tray in the area shown.

CARGO TRAY  
Cut.

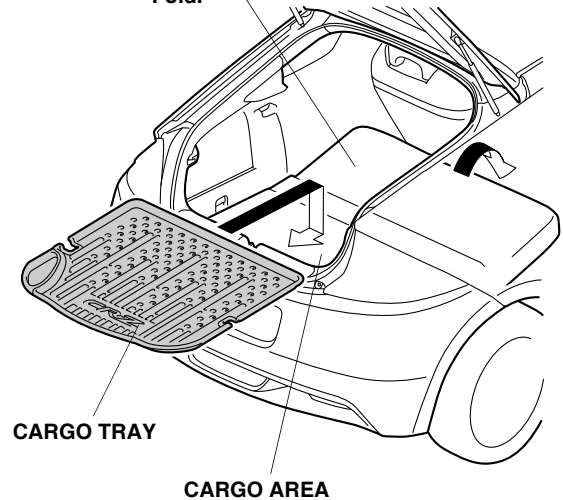


SCISSORS

CARGO TRAY

2. Open the hatch, and fold down the separator. Place the cargo tray inside the vehicle, and align the rear end to the cargo area as shown.

SEPARATOR  
Fold.



CARGO TRAY

CARGO AREA

3. Raise the separator.