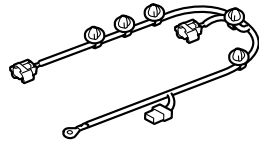
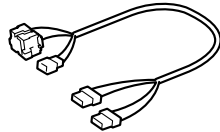


## PARTS LIST

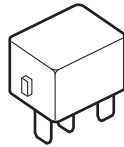
**Fog Lights Kit**  
 Fog light harness



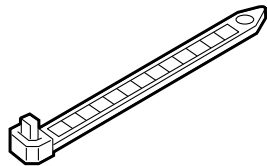
Switch harness



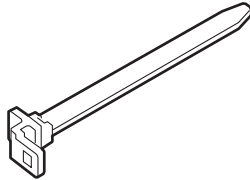
Relay



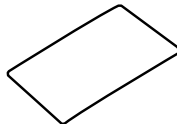
7 Wire ties



Wire tie with holder



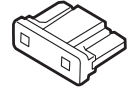
4 Aluminum tapes



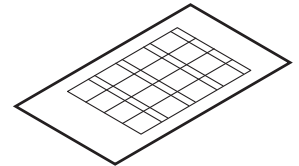
8 Self-tapping screws, 5 x 14 mm



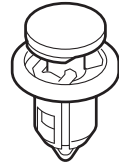
20A Fuse



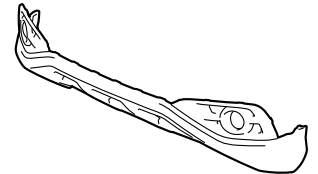
Fuse label



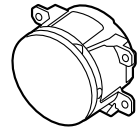
4 Clips



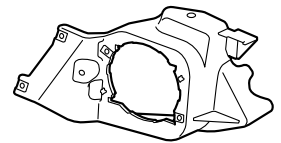
**Service Parts (Not included in kit)**  
 Front lower bumper



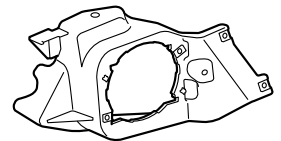
2 Fog lights



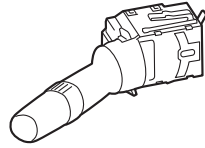
Left bracket



Right bracket



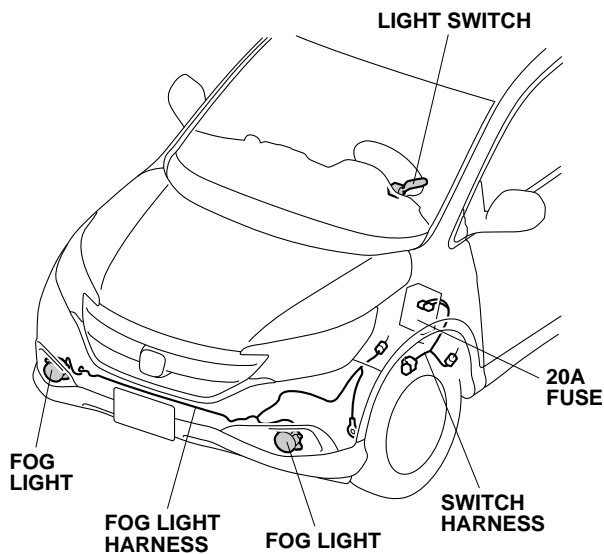
Light switch



## TOOLS AND SUPPLIES REQUIRED

Phillips screwdriver  
Flat-tip screwdriver  
Long blade flat-tip screwdriver  
Diagonal cutters  
Ratchet  
10 mm Socket  
10 mm Open end wrench  
Isopropyl alcohol  
Shop towel  
Tape  
Masking tape  
Blanket  
Trim Tool Set (T/N SOJATP2014)  
*Available through the Honda Tool and Equipment program. On the iN, click on: Service/Service Bay/Tool and Equipment Program, then enter the number under "Search." Or call 888-424-6857.*

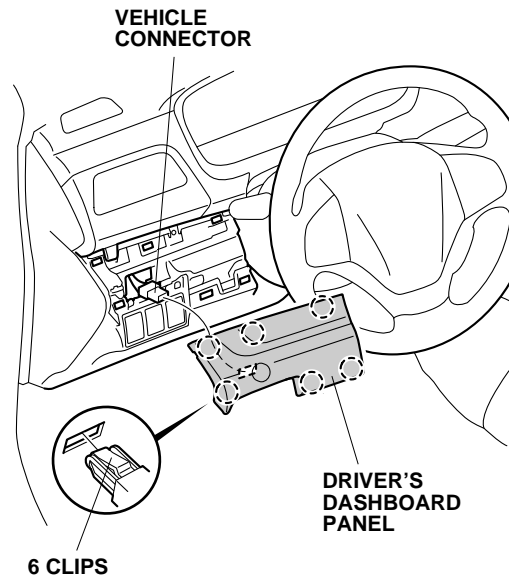
### Illustration of the Fog Lights on the Vehicle



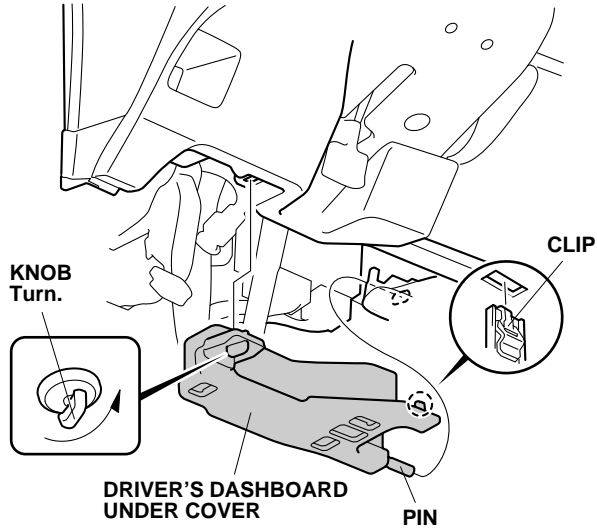
## INSTALLATION

**Customer Information:** The information in this installation instruction is intended for use only by skilled technicians who have the proper tools, equipment, and training to correctly and safely add equipment to your vehicle. These procedures should not be attempted by "do-it-yourselfers."

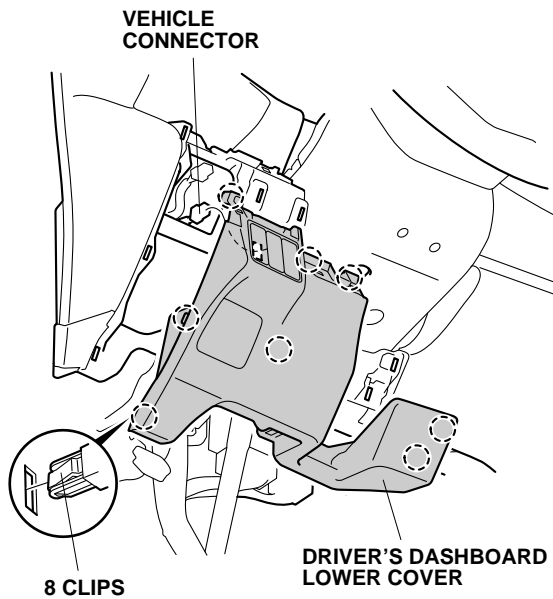
1. Disconnect the negative cable from the battery.
2. Remove the driver's dashboard panel (six clips and unplug the vehicle connector).



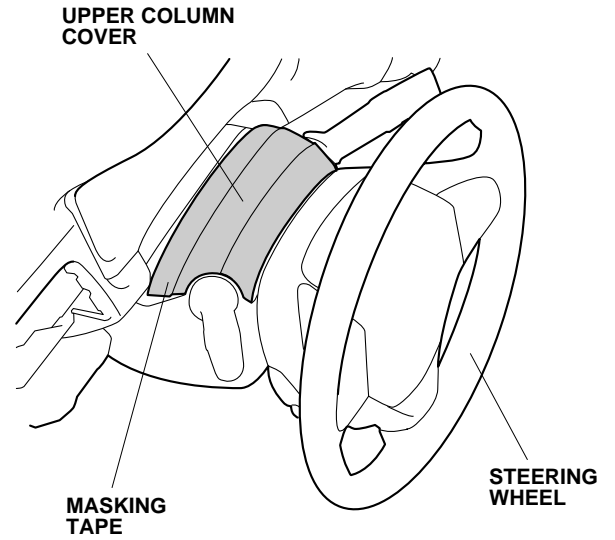
- Remove the driver's dashboard under cover (turn the knob, one clip, and one pin).



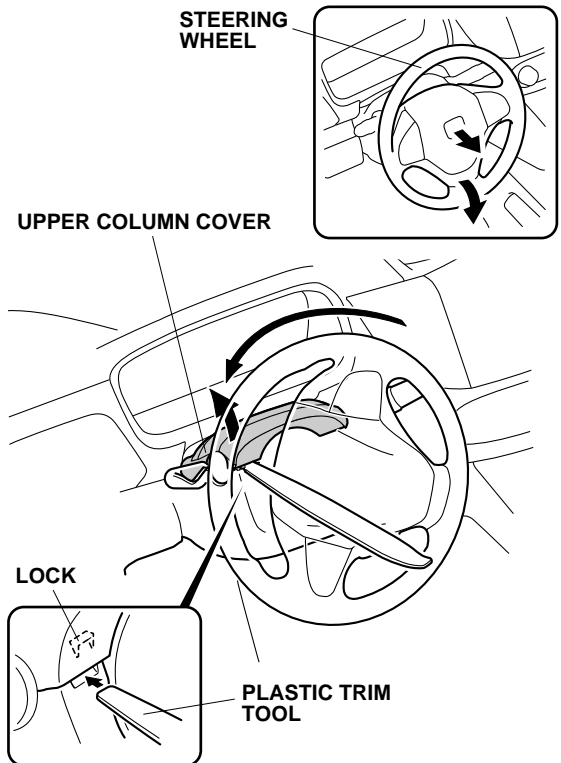
- Remove the driver's dashboard lower cover (eight clips and unplug the vehicle connector).



- Apply masking tape to the upper column cover as shown.

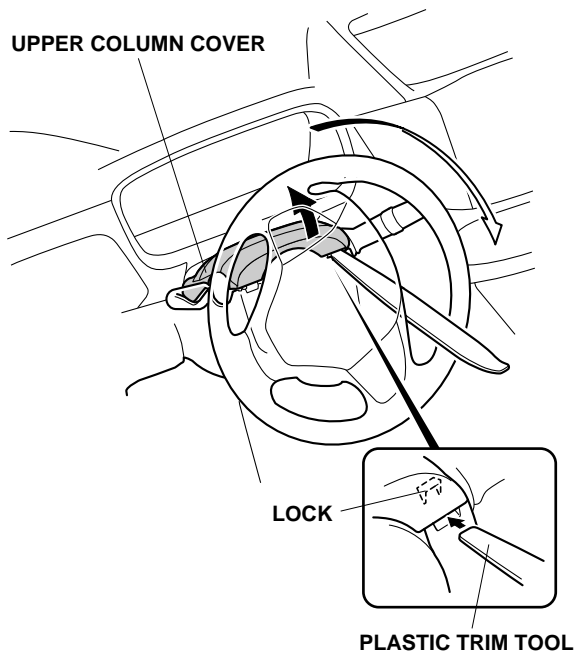


- Lower the tilt lever, and turn the steering wheel 90° counterclockwise.

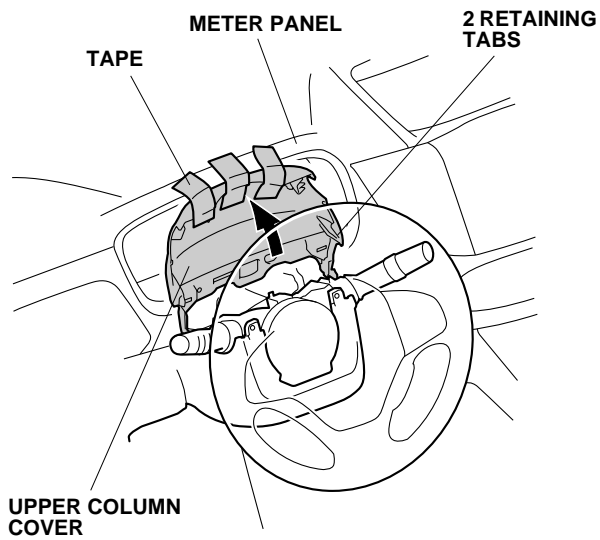


- Using a plastic trim tool, release the lock as shown.

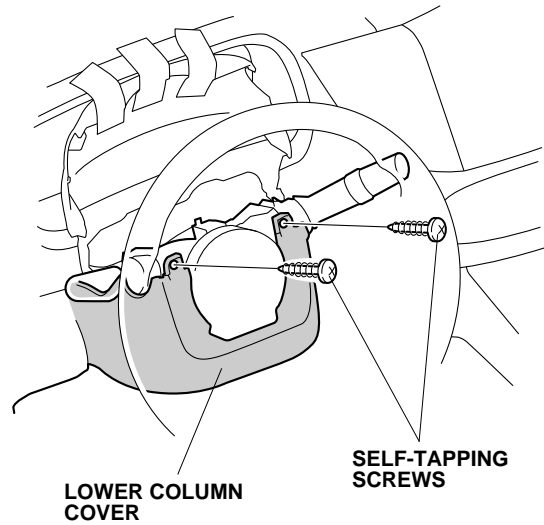
8. Turn the steering wheel 180° clockwise. Using a plastic trim tool, release the lock as shown.



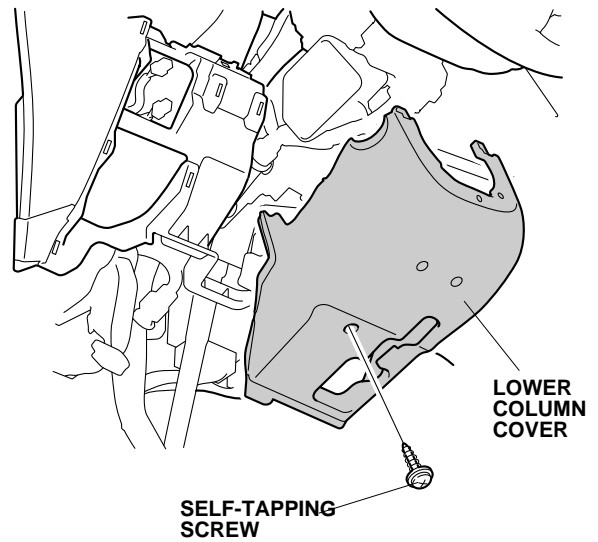
9. Secure the upper column cover to the meter panel with tape.



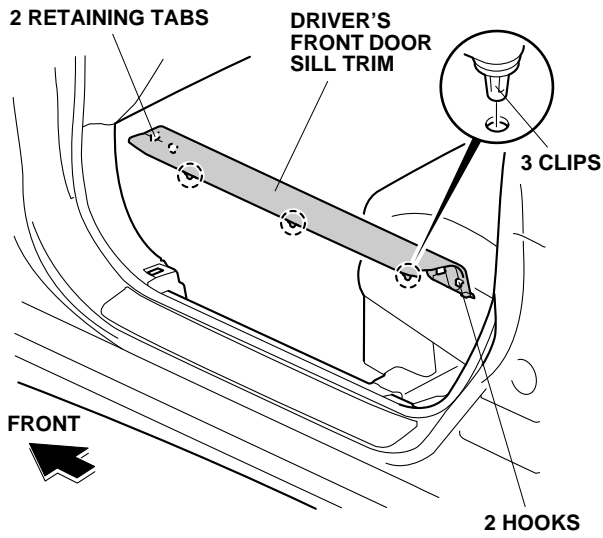
10. Remove the two self-tapping screws from the lower column cover.



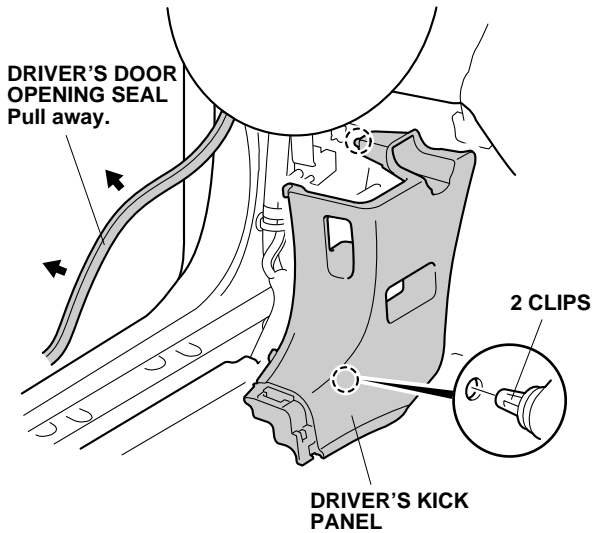
11. Remove the lower column cover (one self-tapping screw).



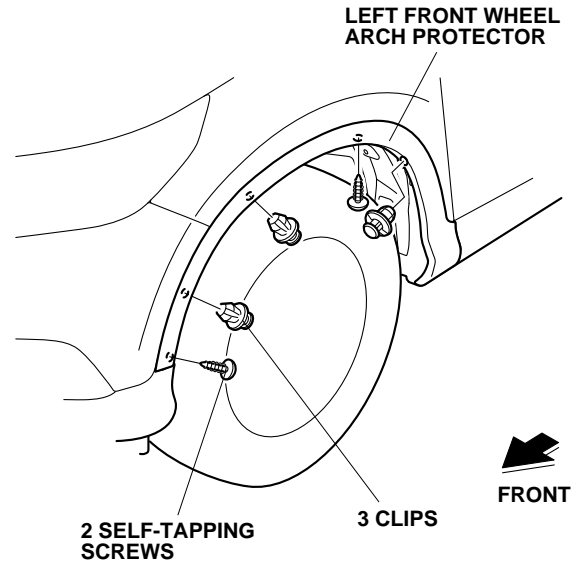
12. Remove the driver's front door sill trim (two retaining tabs, three clips, and two hooks).



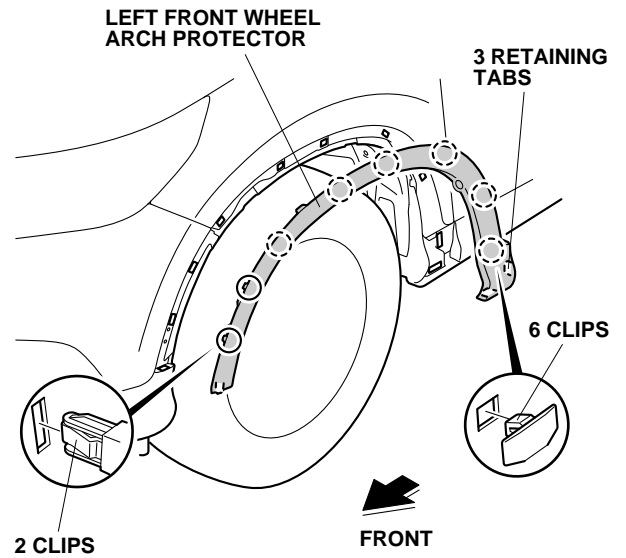
13. Pull away the driver's door opening seal, then remove the driver's kick panel (two clips).



14. Remove two self-tapping screws and three clips from the left front wheel arch protector.

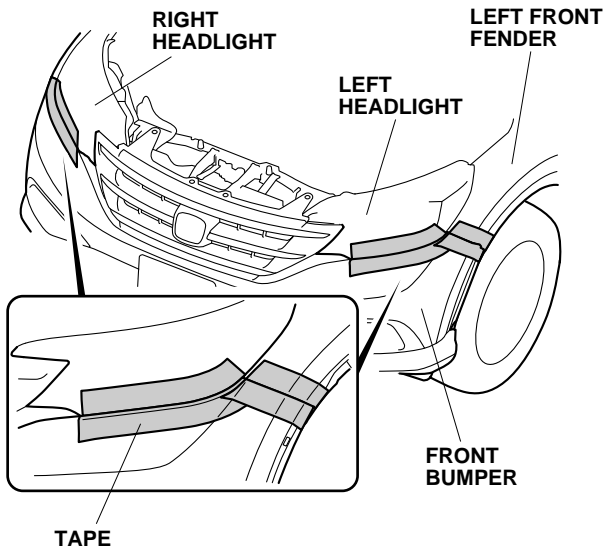


15. Remove the left front wheel arch protector (eight clips and three retaining tabs).

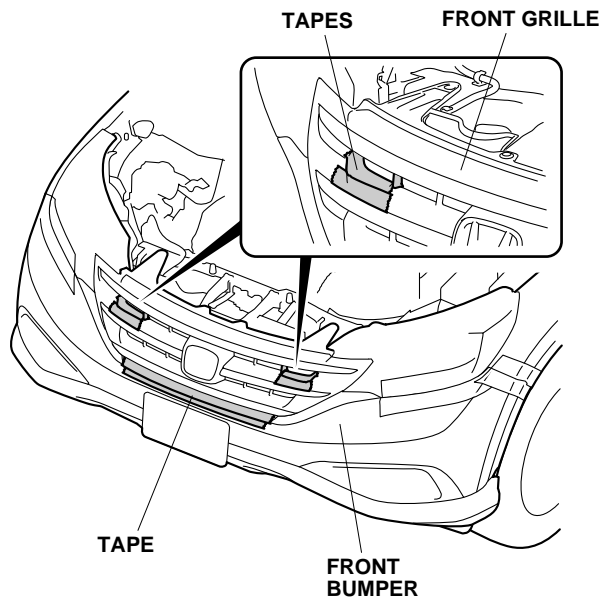


16. Repeat steps 14 and 15 to remove the front wheel arch protector from the right side of the vehicle.

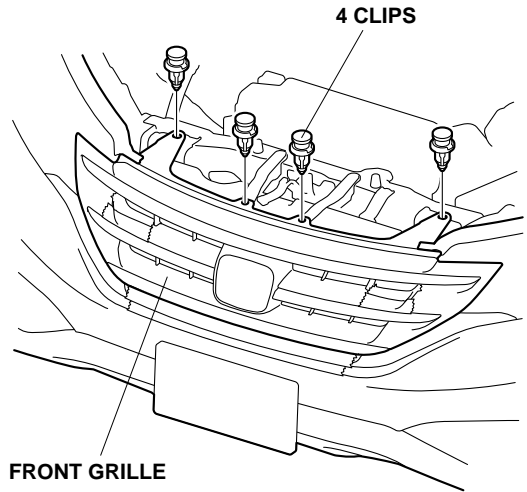
17. Apply masking tape to the front bumper, headlight, and front fender on each side of the vehicle as shown.



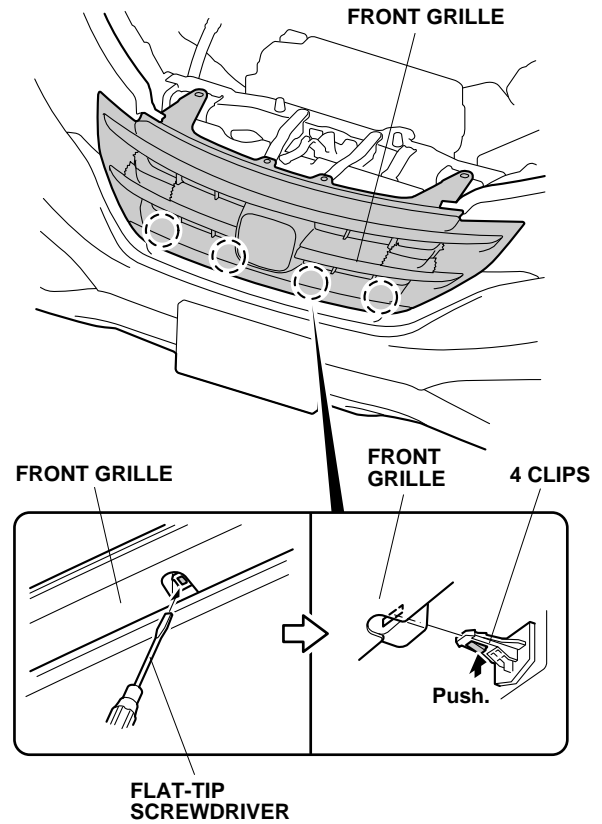
18. Apply masking tape to the front grille and front bumper.



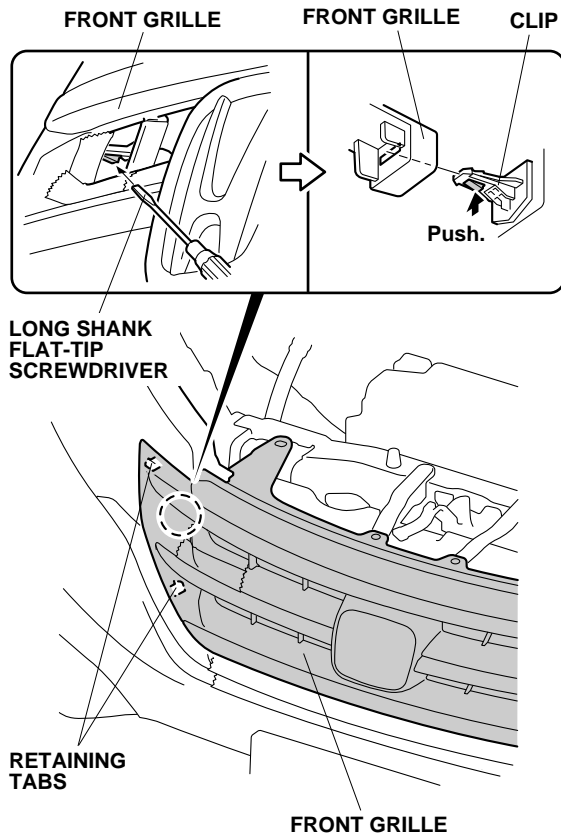
19. Remove the four clips from the front grille.



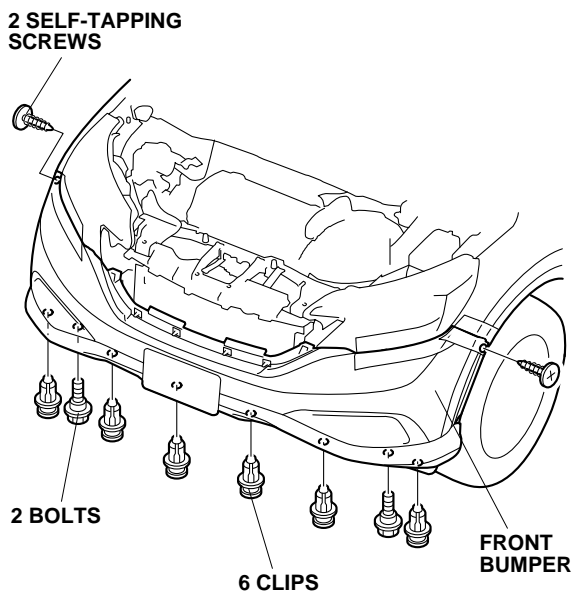
20. Using a flat-tip screwdriver, release the front grille (four clips).



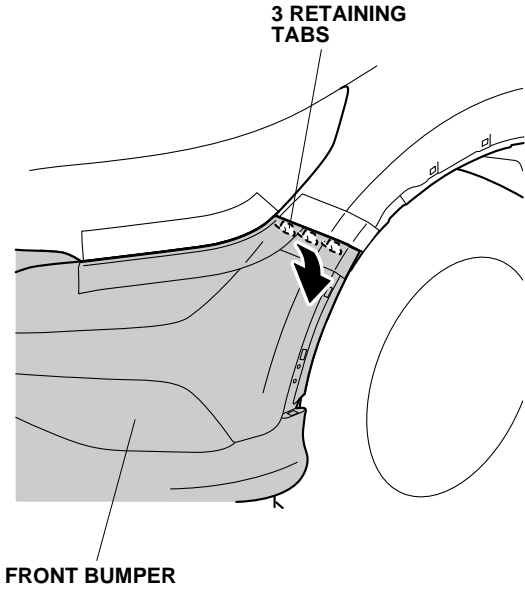
21. Using a long shank flat-tip screwdriver, release the one clip and two retaining tabs.



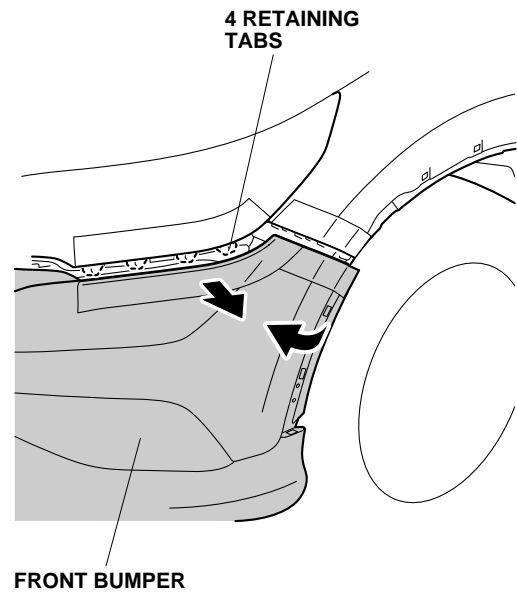
22. Repeat step 21 to release the left side of the grille. Remove the front grille.
23. Remove the front bumper.
  - Remove the two self-tapping screws, two bolts, and six clips.



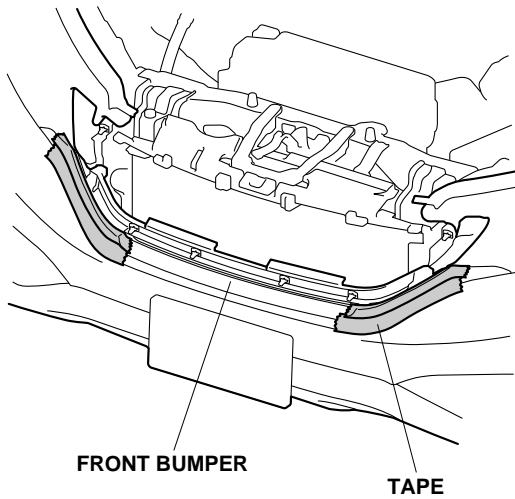
- Release the three retaining tabs on each side.



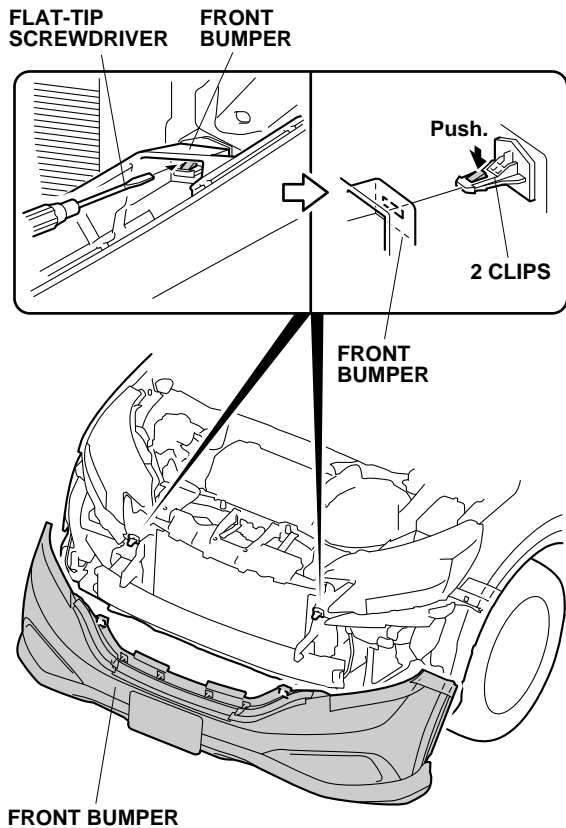
- Release the four retaining tabs on each side.



- Apply masking tape to the front bumper.

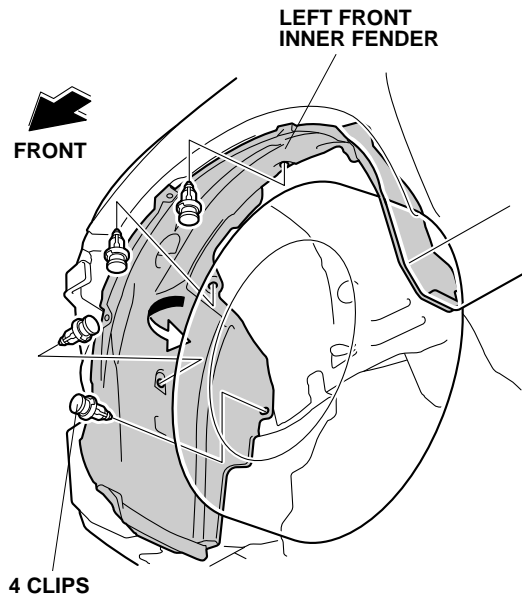


- Release the two clips.

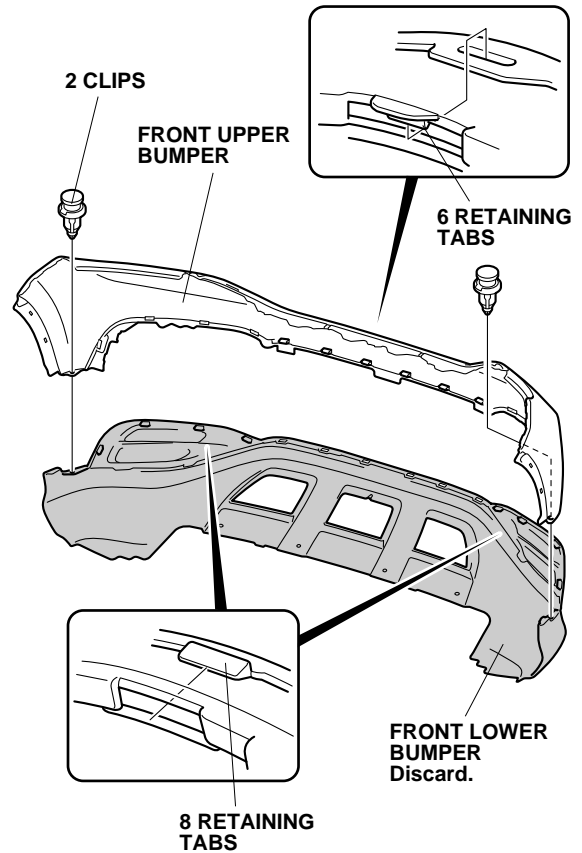


- With the help of an assistant, remove the front bumper. Place the front bumper on a blanket.

- Remove the four clips, and release the left front inner fender. Do not fully remove the left front inner fender.

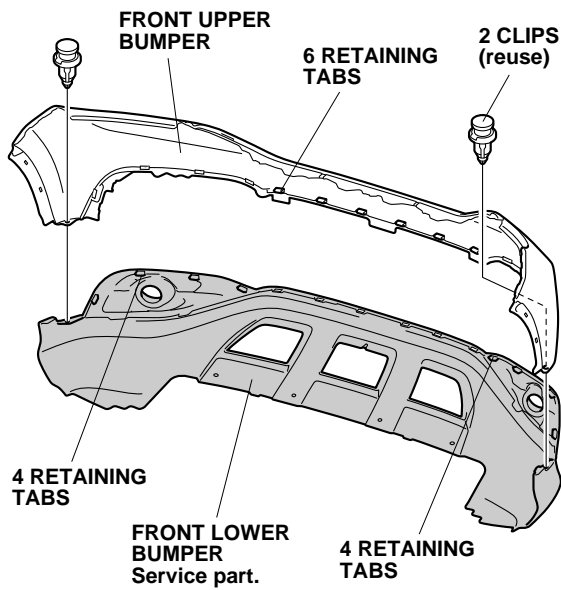


- Remove the front lower bumper (two clips, eight retaining tabs, and six retaining tabs).

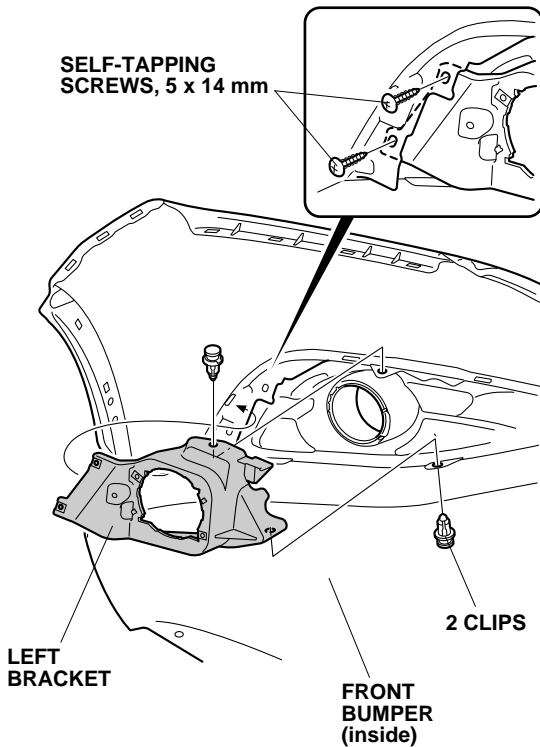




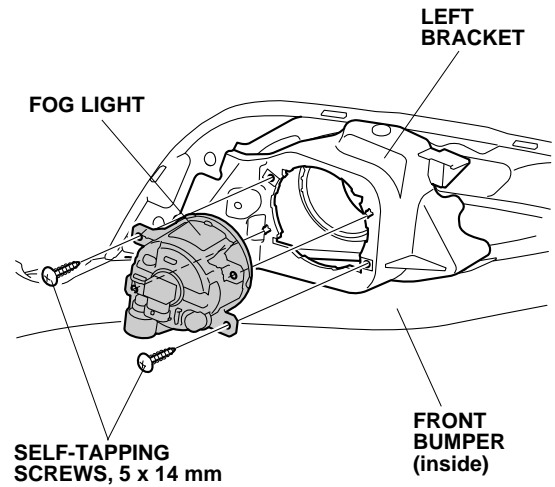
26. Install the new front lower bumper with six retaining tabs, eight retaining tabs, and two clips.



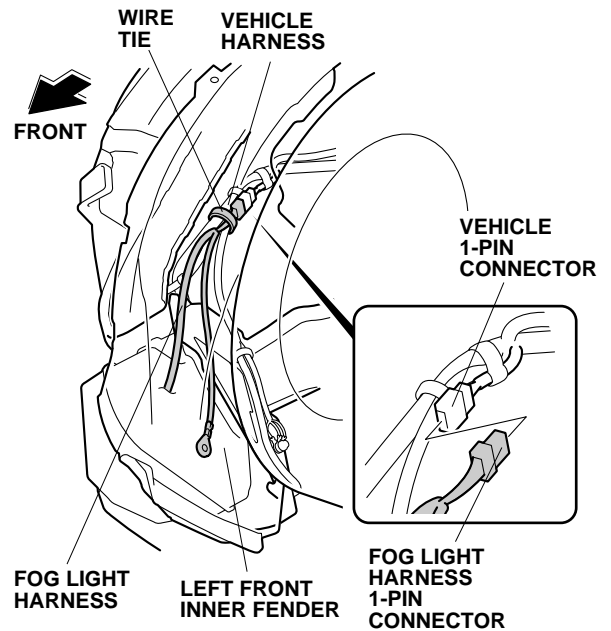
27. Install the left bracket to the front bumper with two clips and two 5 x 14 mm self-tapping screws as shown.



28. Install the fog light to the front bumper with two 5 x 14 mm self-tapping screws.

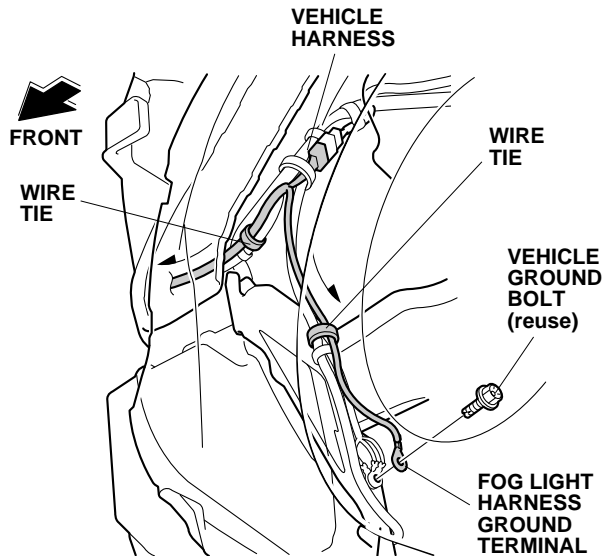


29. Repeat steps 27 and 28 to install the fog light in the right side of the front bumper.
30. Plug the fog light harness 1-pin connector to the vehicle 1-pin connector.

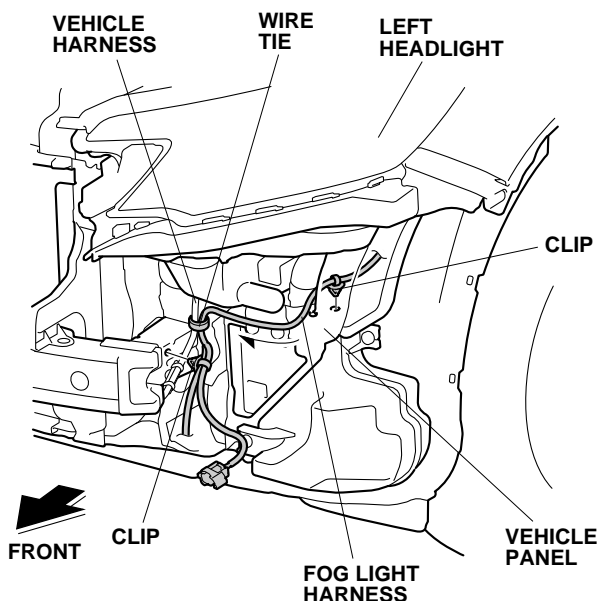


31. Secure the fog light harness to the vehicle harness with one wire tie. Do not secure the fog light harness to the SRS harness.

32. Route the fog light harness as shown.

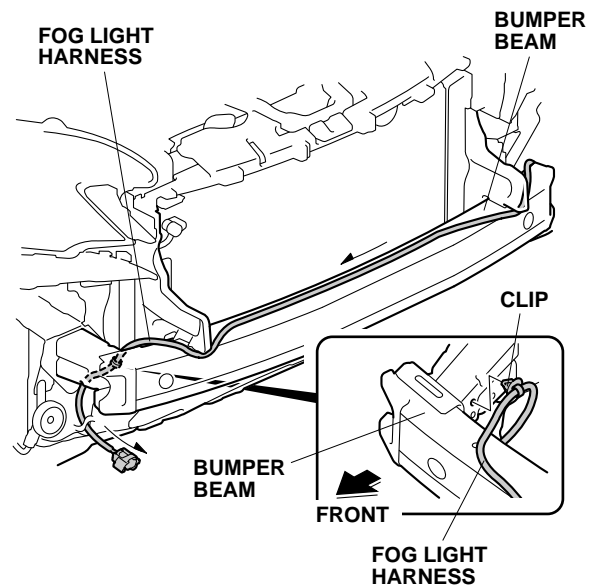


33. Remove the vehicle ground bolt, then use it to secure the fog light harness ground terminal to the vehicle ground terminal.
34. Secure the fog light harness to the vehicle harness with two wire ties.
35. Route the fog light harness under the left headlight. Secure the two clips on the fog light harness to the vehicle panel.

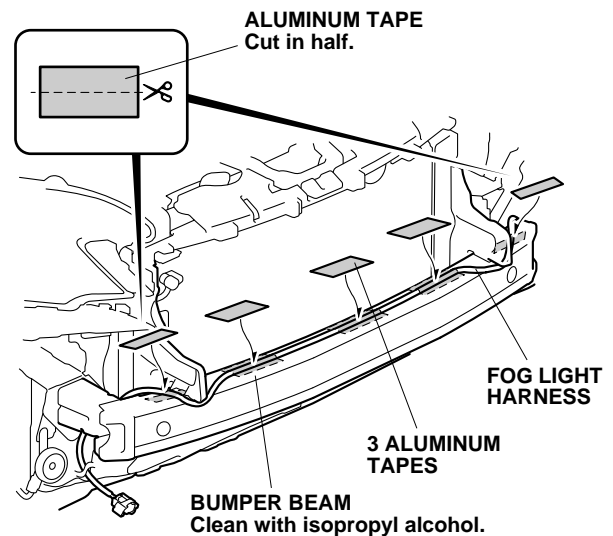


36. Secure the fog light harness to the vehicle harness with one wire tie.

37. Route the fog light harness along the bumper beam. Secure the clip on the fog light harness to the bumper beam as shown.

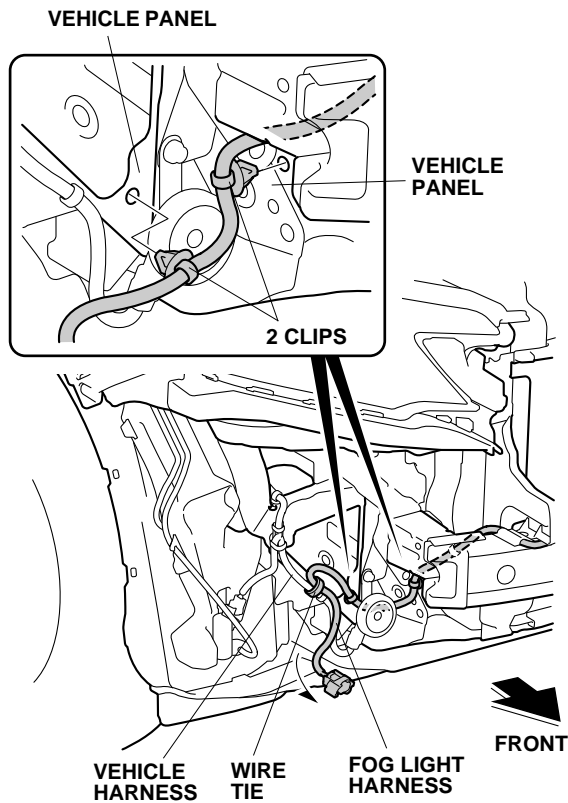


38. Using isopropyl alcohol on a shop towel, thoroughly clean the areas where the aluminum tapes will attach. Secure the fog light harness to the bumper beam with three aluminum tapes.

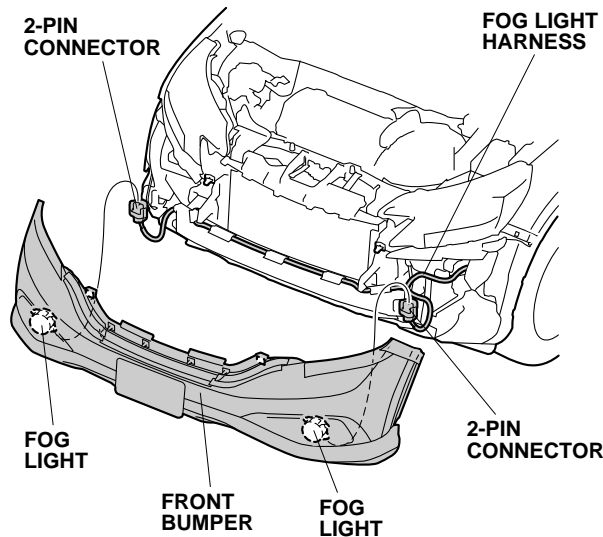


39. Cut one aluminum tape in half. Secure the fog light harness to the bumper beam with the two halves of aluminum tape.

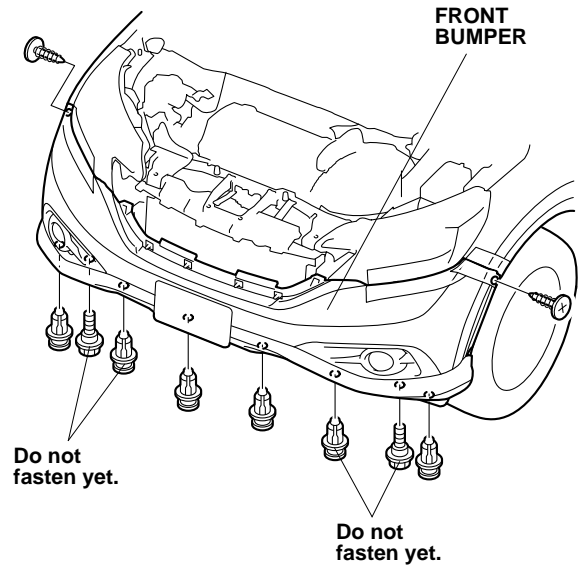
- Route the fog light harness. Secure the two clips on the fog light harness to the vehicle panel.



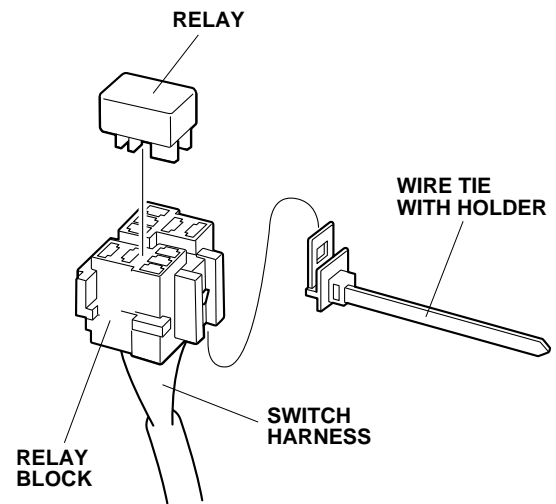
- Secure the fog light harness to the vehicle harness with one wire tie as shown.
- Reinstall the left front inner fender.
- With the help of an assistant, bring the front bumper close to the vehicle, and plug the two fog light harness 2-pin connectors to the two fog lights.



- Reinstall the front bumper.

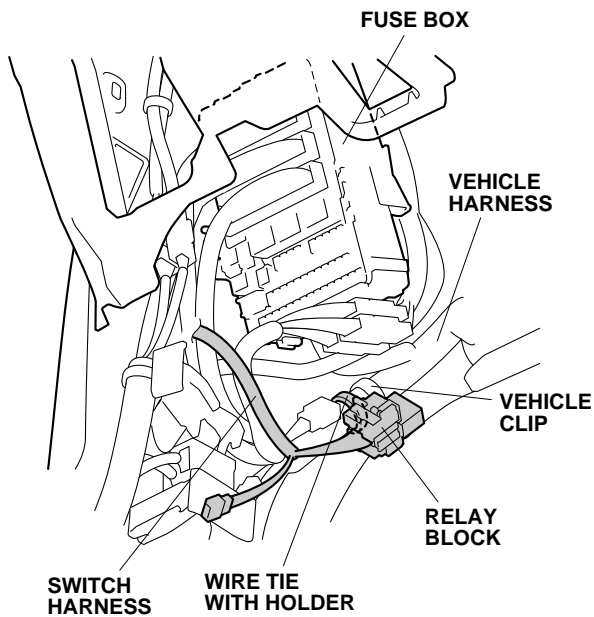


- Install the relay into the switch harness relay block.

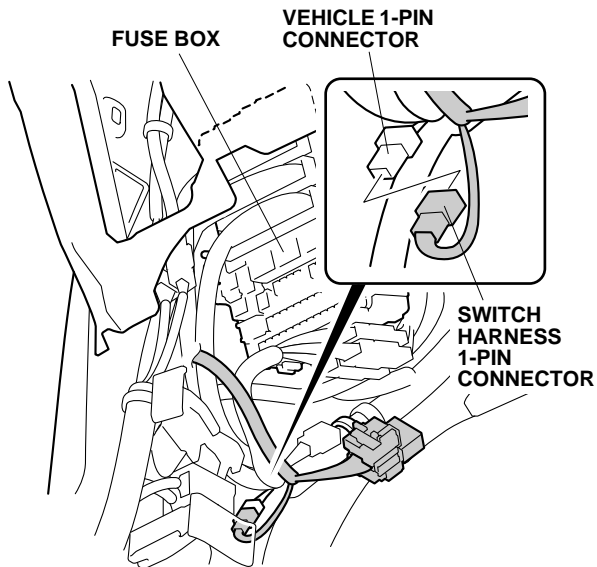


- Install the wire tie with holder onto the switch harness relay block.

47. Secure the switch harness relay block to the vehicle harness with the wire tie with holder.



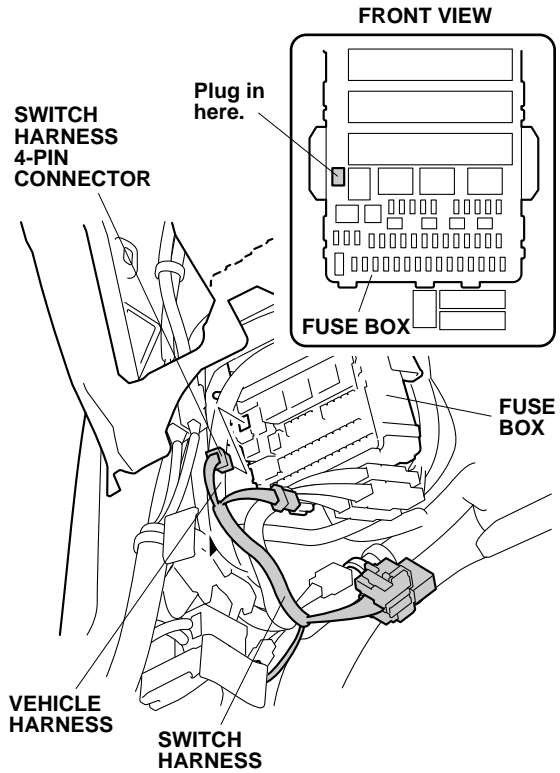
48. Plug the switch harness 1-pin connector to the vehicle 1-pin connector.



*If the vehicle is equipped with a 4-pin connector from another accessory, go to step 51. If not, continue with step 49.*

*Without another accessory 4-pin connector*

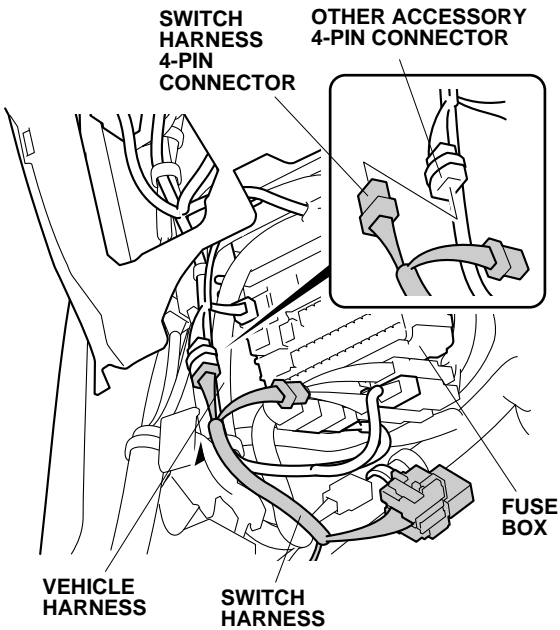
49. Route the switch harness along the vehicle harness.



50. Plug the switch harness 4-pin connector to the fuse box. Go to step 53.

*With another accessory 4-pin connector*

51. Route the switch harness along the vehicle harness.

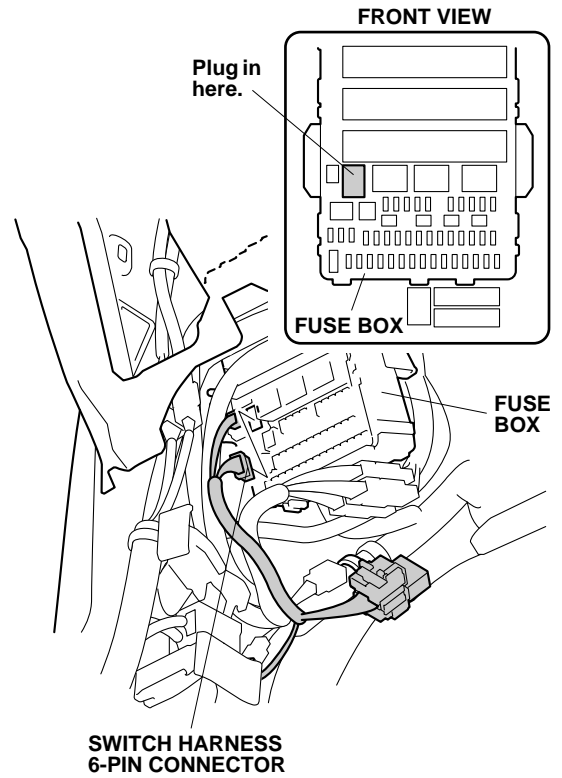


52. Plug the switch harness 4-pin connector to the other accessory's 4-pin connector.

*If the vehicle is equipped with a 6-pin connector from another accessory, go to step 54. If not, continue with step 53.*

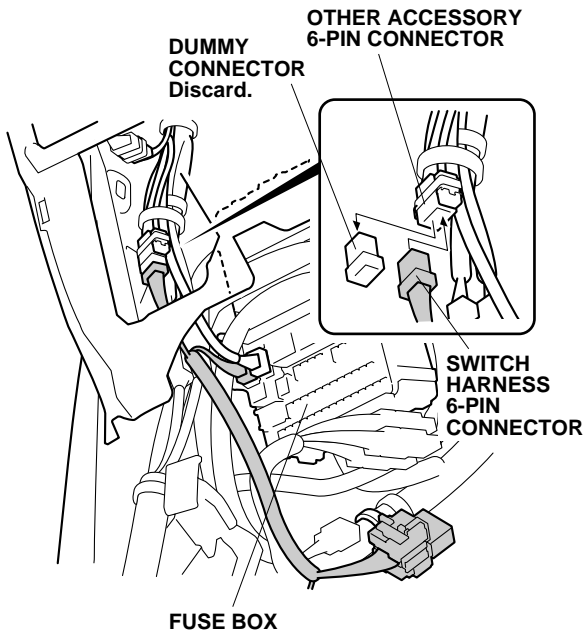
*Without another accessory 6-pin connector*

53. Plug the switch harness 6-pin connector into the fuse box. Go to step 56.

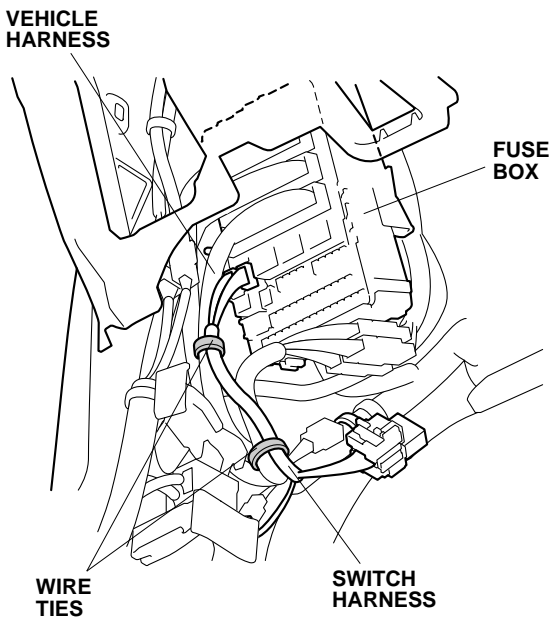


*With another accessory 6-pin connector*

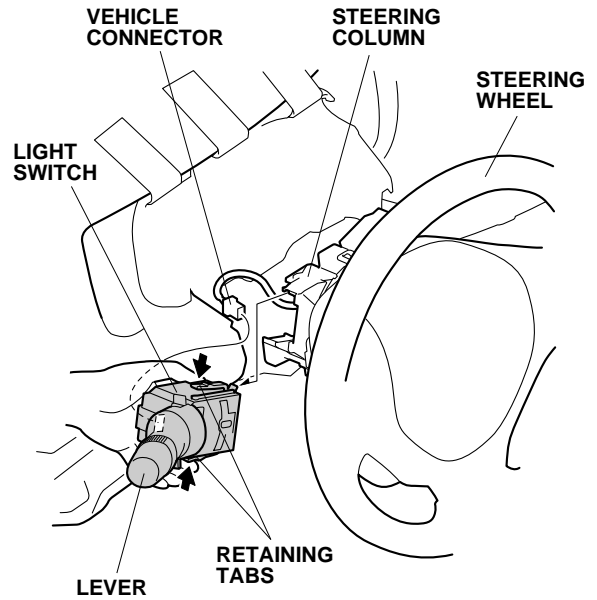
54. Remove the dummy connector from the other accessory 6-pin connector.



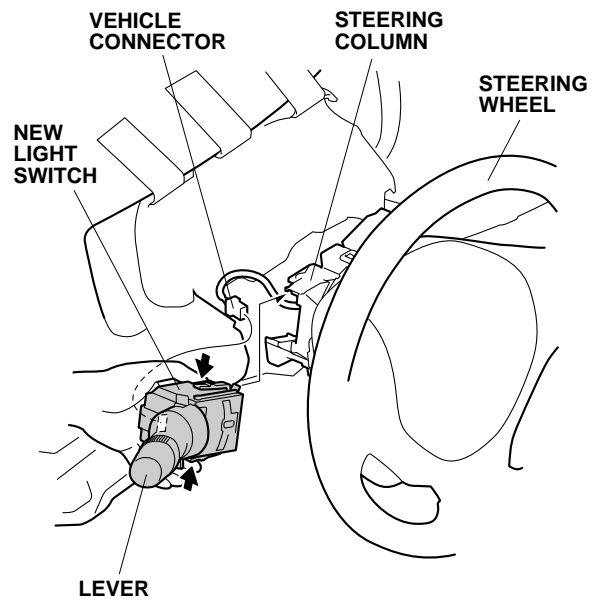
55. Plug the switch harness 6-pin connector to the other accessory's 6-pin connector.
56. Secure the switch harness to the vehicle harness with two wire ties.



57. Unplug the vehicle connector from the light switch.

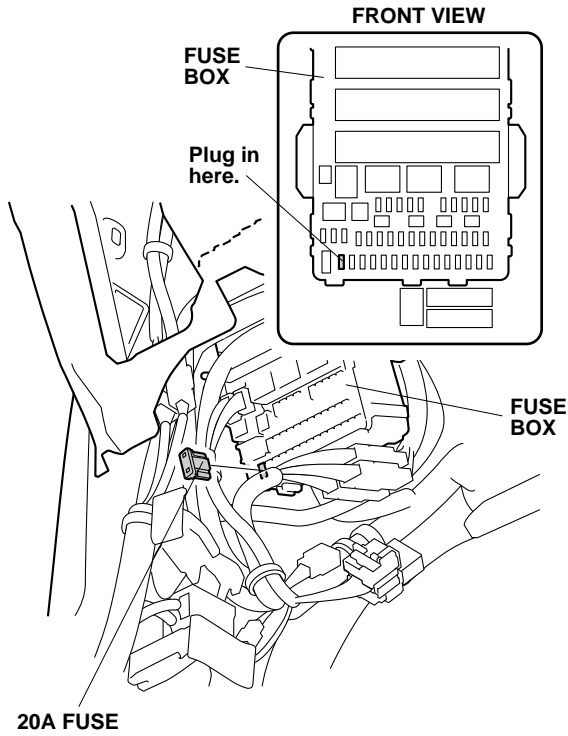


58. Push in the two retaining tabs and slide the light switch out of the steering column. Pull on the switch body, not the lever.
59. Install the new light switch onto the steering column. Push on the switch body, not the lever.

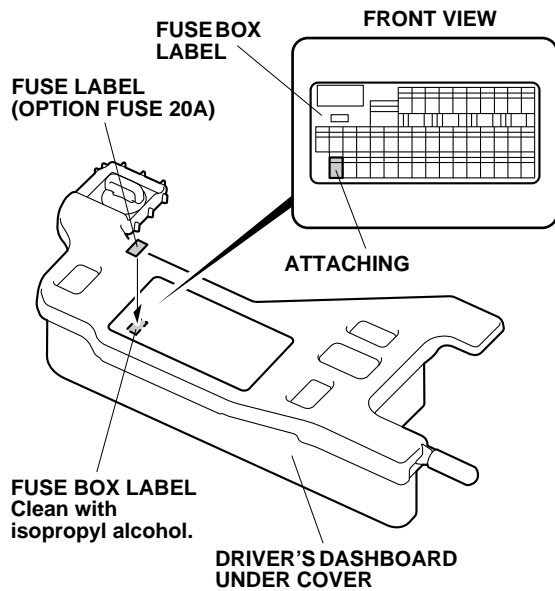


60. Plug the vehicle connector into the new light switch.

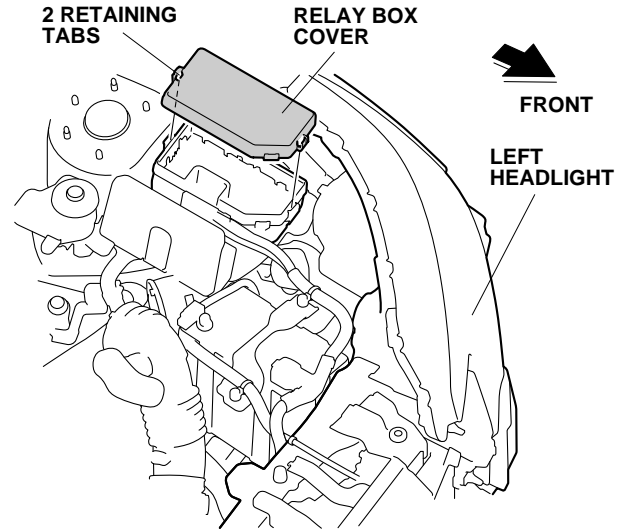
61. If a 20A fuse is already installed in the fuse box, go to step 62. If not, install the 20A fuse into the fuse box.



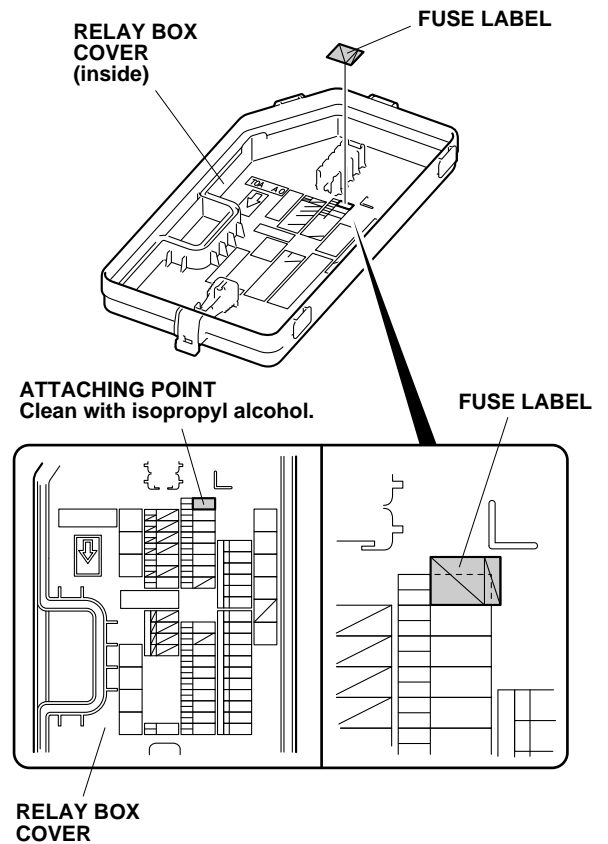
62. Using isopropyl alcohol on a shop towel, thoroughly clean the area where the fuse label will attach. Attach the fuse label to the fuse box label on the driver's dashboard under cover.



63. Remove the relay box cover (two retaining tabs).




64. Using isopropyl alcohol on a shop towel, thoroughly clean the area where the fuse label will attach. Attach the fuse label to the relay box cover.

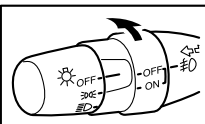


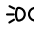
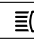
65. Check that all wire harnesses are routed properly and all connectors are plugged in.
66. Reinstall all removed parts. Do not reinstall the clips and bolts that fasten the front bumper at this time. Check that all clips and fasteners are installed securely.
67. Reconnect the negative cable to the battery.
68. Press and hold the radio power button for two seconds to restore the radio and navi (if equipped) system functions.
69. Reset the clock (vehicle without navigation).

## USE AND CARE

### How to Operate the Fog Lights

- Turn the headlight switch to the “ D” position (headlights on low beam).
- Turn on the fog light switch (indicator is on).
- If the fog lights do not turn on, check the fuse and all the connectors, including the ground cable.

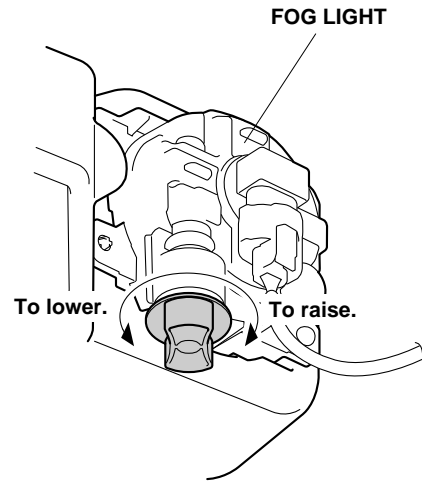


		HEADLIGHT SWITCH			
		OFF			
			Low	High	
FOG LIGHT SWITCH	OFF	-	-	-	-
	ON	-	-	ON	-

NOTE: The fog light lenses can cloud when the outside temperature is cold; this is normal and should go away in warm weather.

### How to Aim the Fog Lights

70. Adjust the aim:
  - Release the splash shield.
  - Turn the aiming adjustment knob in or out until the correct aim is obtained.
  - Adjust the aim according to local laws and regulations.

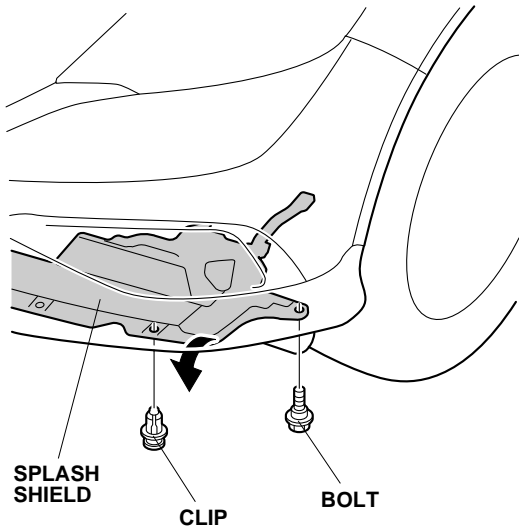


71. Secure the clips and bolts to the splash shield.

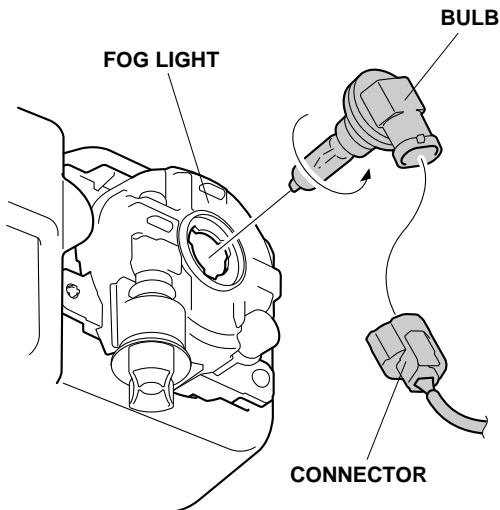


## BULB REPLACEMENT

1. Release the splash shield (one bolt and one clip).



2. Insert your hand behind the splash shield. Unplug the connector from the fog light.

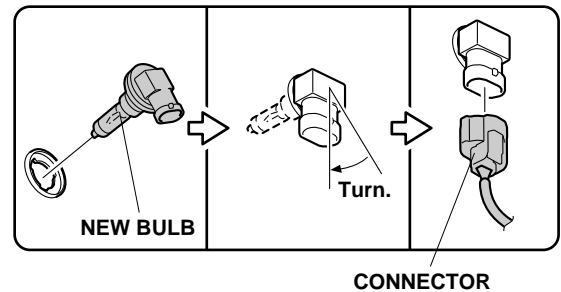
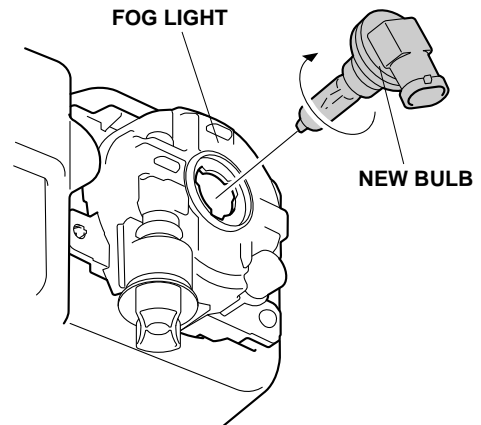


3. Remove the bulb by turning it counterclockwise.

4. Install the new bulb into the fog light.
  - Use only a Genuine Honda halogen light bulb of specified wattage.

Rating: 12V 55W H11 Halogen Light Bulb  
P/N 33165-STK-A01

- Do not touch the bulb. Oily or greasy substances on the bulb can shorten its service life due to the heat produced when the bulb is turned on. If you accidentally touch the bulb, wipe it clean with a soft cloth that has been dampened with denatured alcohol or a mild detergent solution.
- When installing the new bulb, align the cutout on the fog light with the tab on the new bulb and turn the new bulb clockwise to lock it in place. If the bulb is not properly aligned, the fog light may annoy oncoming driver's.



5. Reinstall the clip and bolt. Make sure the wire harness is not pinched.
6. Check the operation of the fog light, and adjust the aim if necessary.