

**PARTS LIST**

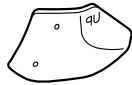
Right rear under spoiler



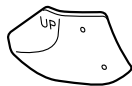
Left rear under spoiler



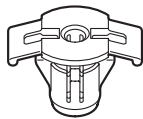
Right template



Left template



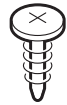
4 Clips A



2 Clips B



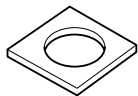
2 Self-tapping screws



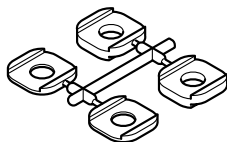
2 Spring nuts



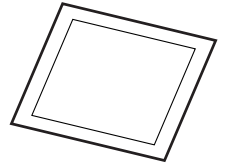
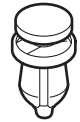
6 Seals



Spacer



2 Alcohol swabs


 Bumper clip  
(Not used)

**TOOLS AND SUPPLIES REQUIRED**

Phillips screwdriver

Drill

3 mm, 10 mm, and 12 mm Drill bits

Eye protection (face shield, safety goggles, etc.)

File

Pushpin

Tape

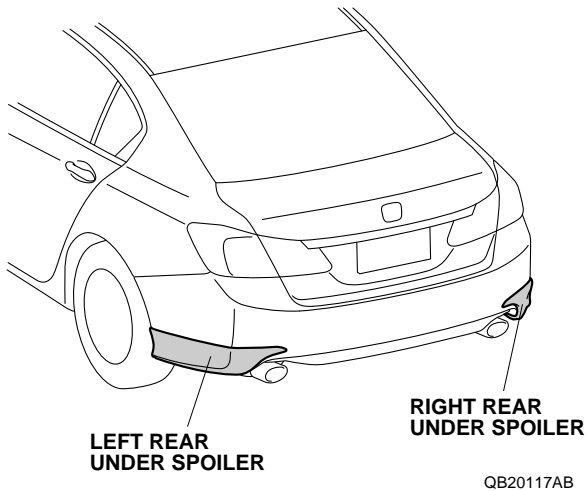
Masking tape

Diagonal cutters

*The following tools are available through the Honda Tool and Equipment Program. On the iN, click on: Service > Service Bay > Tool and Equipment Program, then enter the number under "Search". Or, call 888-424-6857.*

- Rubber Roller (T/N MHLE540)
- Trim Tool Set (T/N SOJATP2014)

*Illustration of the Rear Under Spoilers on the Vehicle*



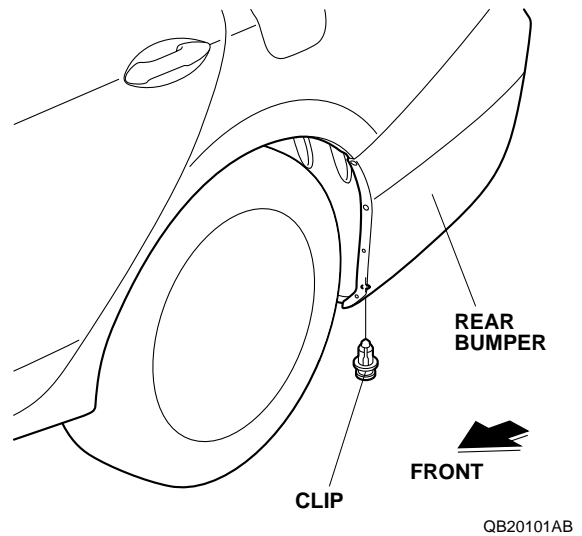
**INSTALLATION**

**Customer Information:** The information in this installation instruction is intended for use only by skilled technicians who have the proper tools, equipment, and training to correctly and safely add equipment to your vehicle. These procedures should not be attempted by "do-it-yourselfers."

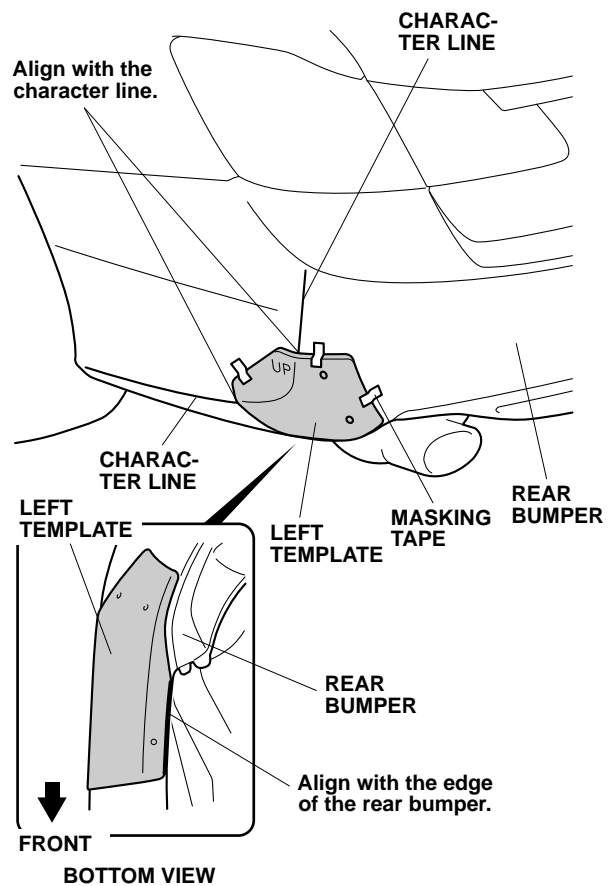
**NOTE:**

- Do not to damage the paint finish.
- This kit should be installed only if the ambient air temperature is 15°C (60°F) or above.
- Clean and wax the areas to be covered with a high-quality paste wax.
- To allow the adhesive to cure, do not wash the vehicle for 24 hours. Please advise the customer.

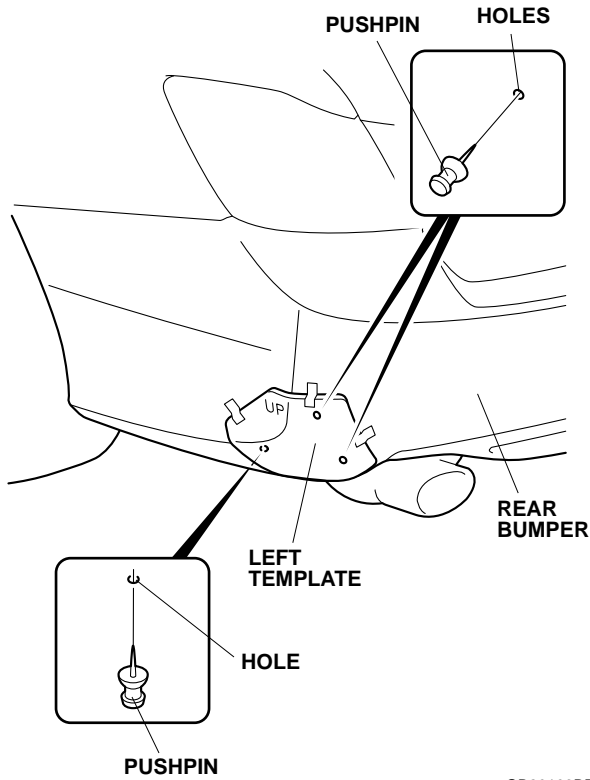
1. Remove the clip from the rear bumper.



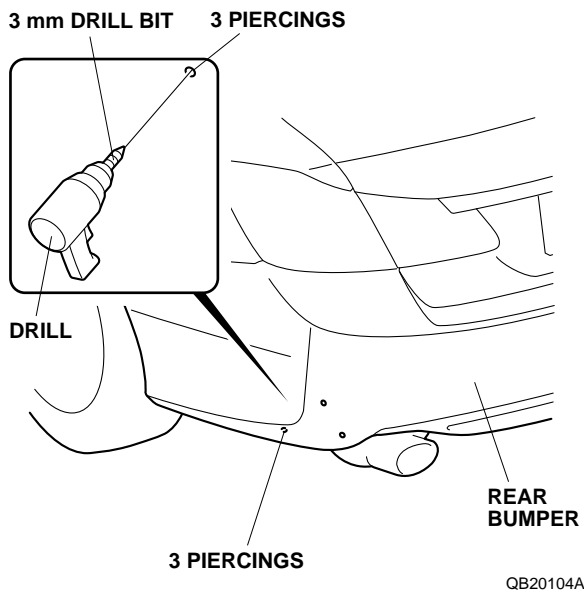
2. Place the left template on the rear bumper in the area shown, and attach it with strips of masking tape.



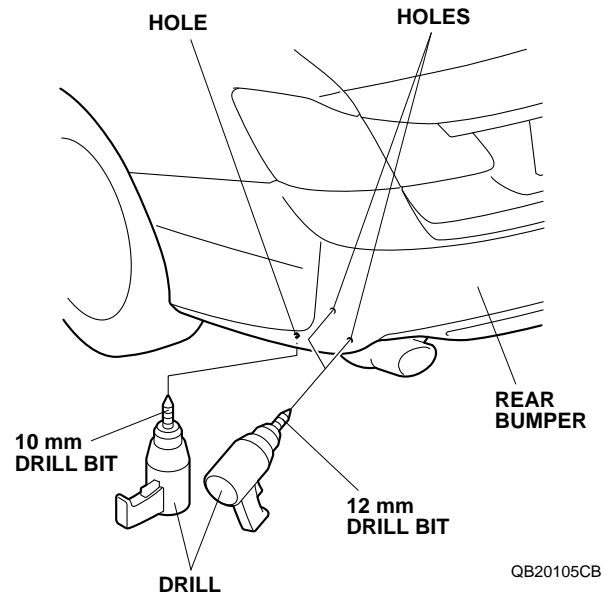
- Using a pushpin, pierce the rear bumper through the three holes in left template. Remove the left template.



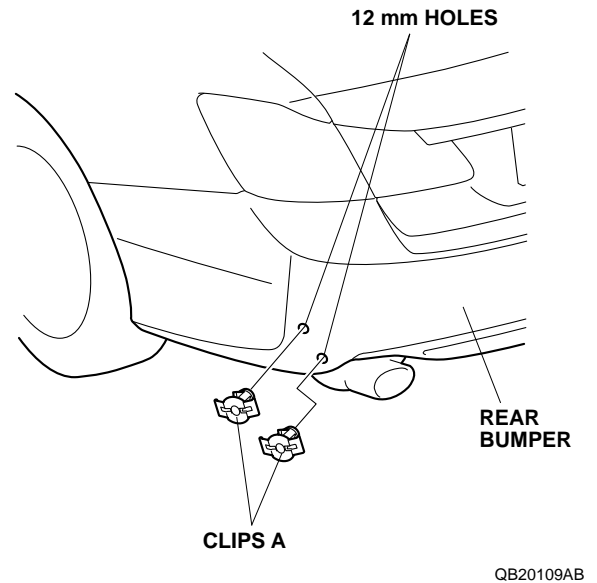
- While wearing eye protection, drill the three piercings in the rear bumper with a 3 mm drill bit.



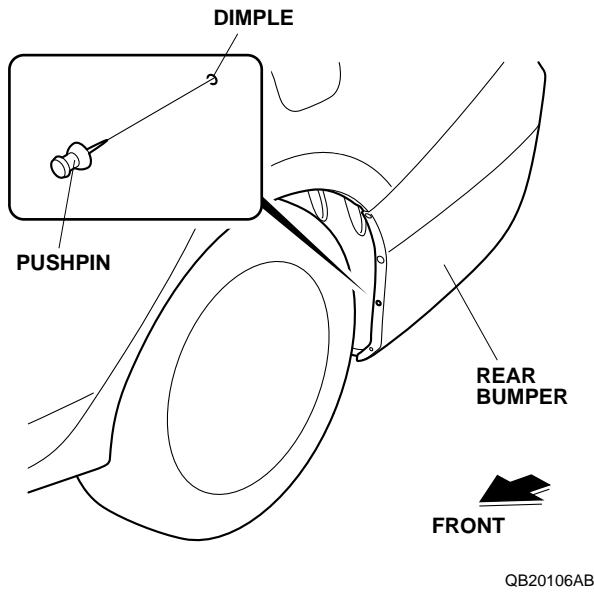
- Enlarge the two upper holes to 12 mm using a 12 mm drill bit. Remove any burrs.



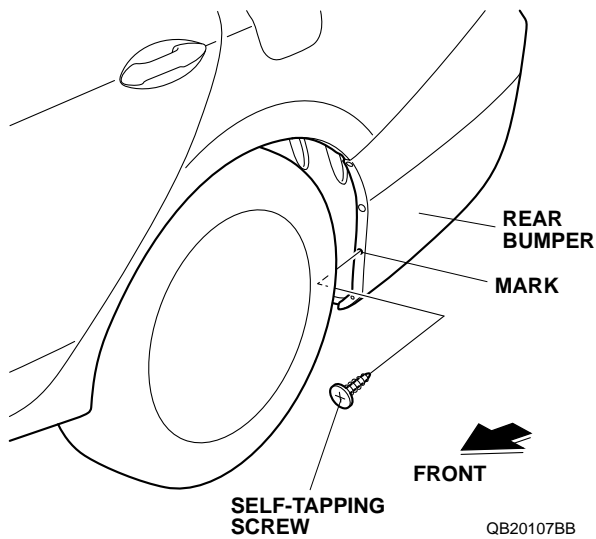
- Enlarge the lower hole to 10 mm using a 10 mm drill bit. Remove any burrs.
- Install one clip A into each 12 mm hole. Push in on each clip A until you hear a click, then check to make sure they are secure in the rear bumper.



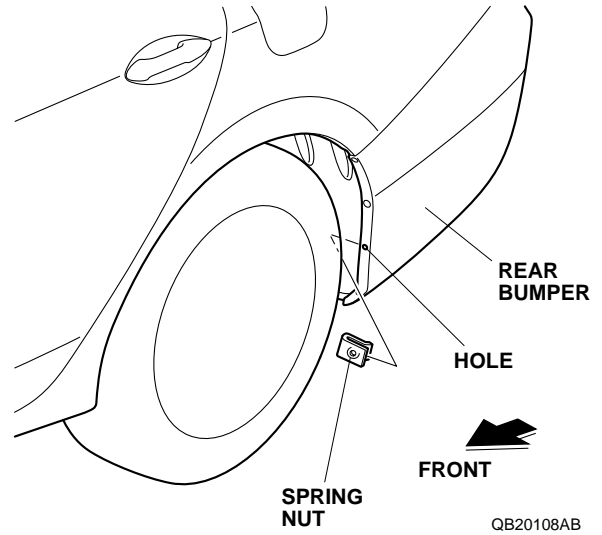
8. Using a pushpin, pierce the rear bumper at the dimple on the rear fenderwell.



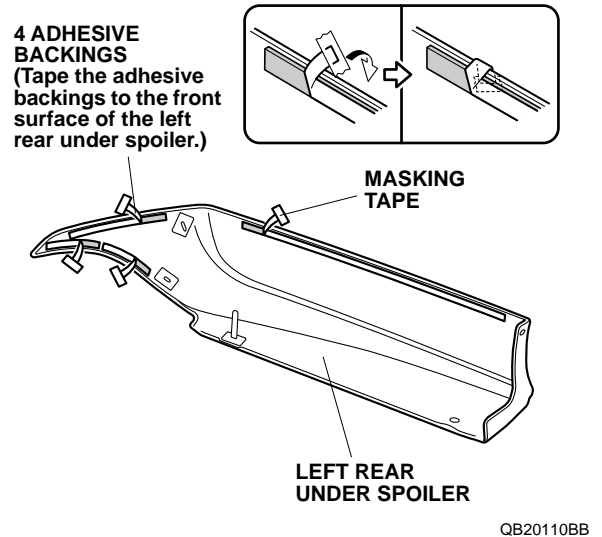
9. Thread a self-tapping screw into the pierced mark to make a hole in the rear bumper. Remove the self-tapping screw.



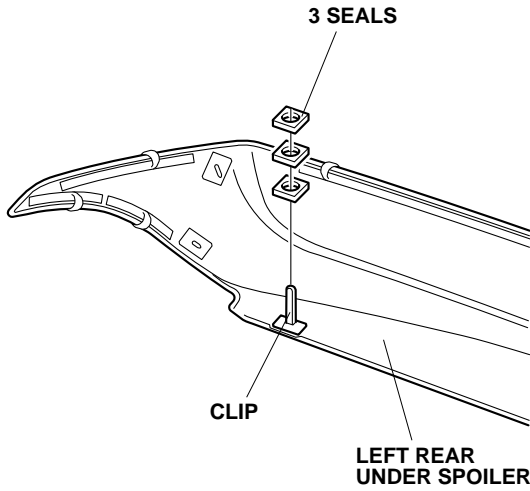
10. Install one spring nut over the hole in the rear bumper in the direction shown.



11. Peel back the adhesive backings, and tape them to the front surface of the left rear under spoiler with masking tape.

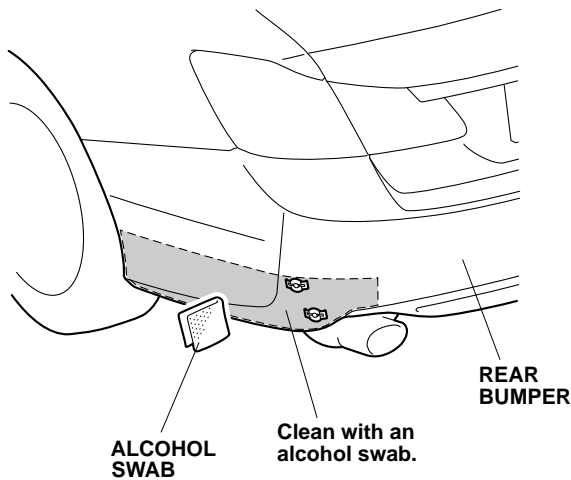


12. Install three seals onto the clip on the left rear under spoiler.



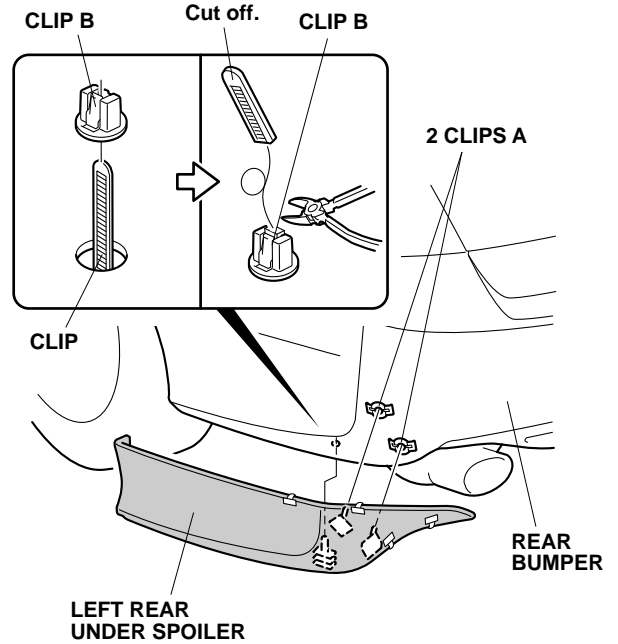
QB20111BB

13. Using one alcohol swab, thoroughly clean the rear bumper where the left rear under spoiler will attach.



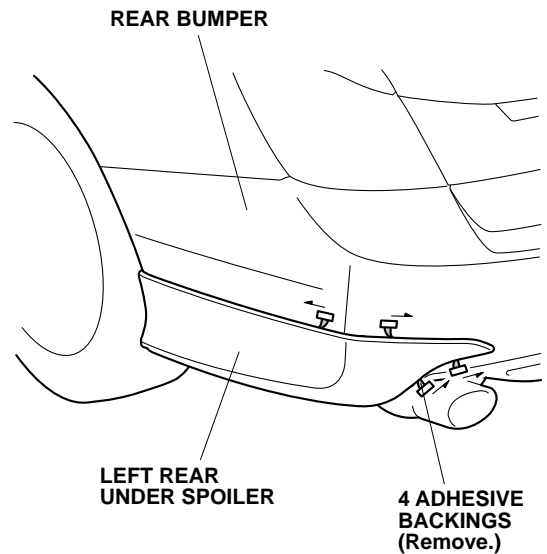
QB20112BB

14. Install the left rear under spoiler to the rear bumper.



QB20113CB

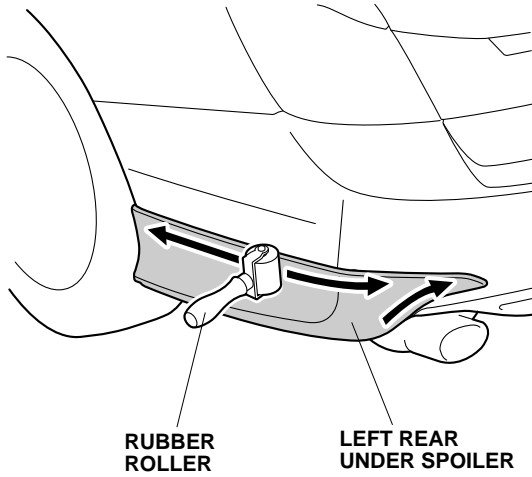
15. Secure the left rear under spoiler with one clip B. NOTE: Do not push the clip too tightly, or it may deform the left rear under spoiler. Readjust the clip, if necessary.
16. Cut off the excess from the clip.
17. While applying light pressure against the left rear under spoiler, carefully remove the adhesive backings.



QB20114BB

18. Using your hand, firmly press the left rear under spoiler against the rear bumper for 30 seconds.

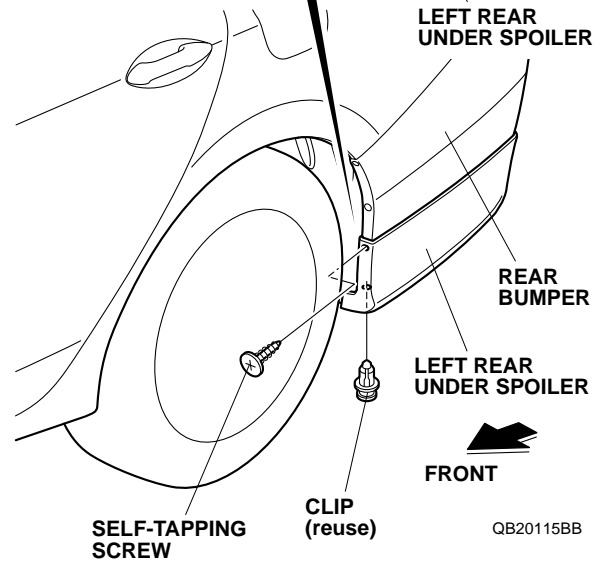
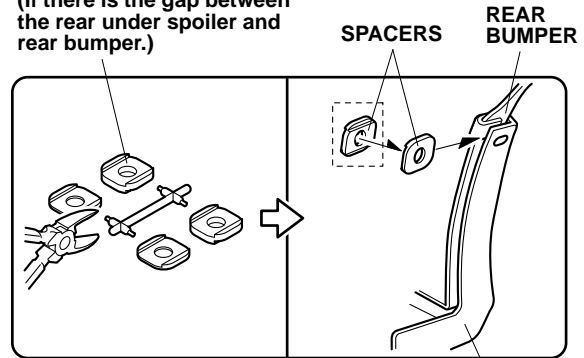
19. Using a rubber roller, apply firm pressure while rolling to set the adhesive, especially at the ends.



QB20116CB

20. Secure the left rear under spoiler with one self-tapping screw and one clip removed in step 1.
- Make sure there is no gap between the rear under spoiler and rear bumper. If there is the gap, use spacers to adjust the gap.
  - Spacer thickness of "1" and "2" represent 1 mm and 2 mm respectively.
  - Do not use two of the 2 mm spacers together. Using two of the 2 mm spacers will create an unsightly condition.

**SPACERS**  
(If there is the gap between the rear under spoiler and rear bumper.)



QB20115BB

21. Repeat steps 1 through 20 to install the right rear under spoiler on the right side of the vehicle.