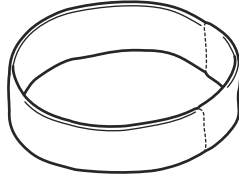


## PARTS LIST

Steering wheel cover



Needle



String



## TOOLS AND SUPPLIES REQUIRED

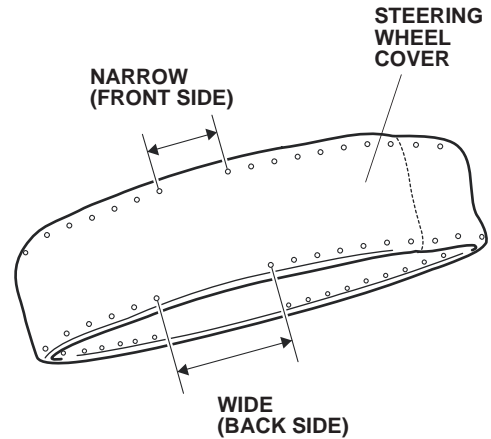
- Gloves
- Isopropyl alcohol
- Shop towel
- Masking tape

## INSTALLATION

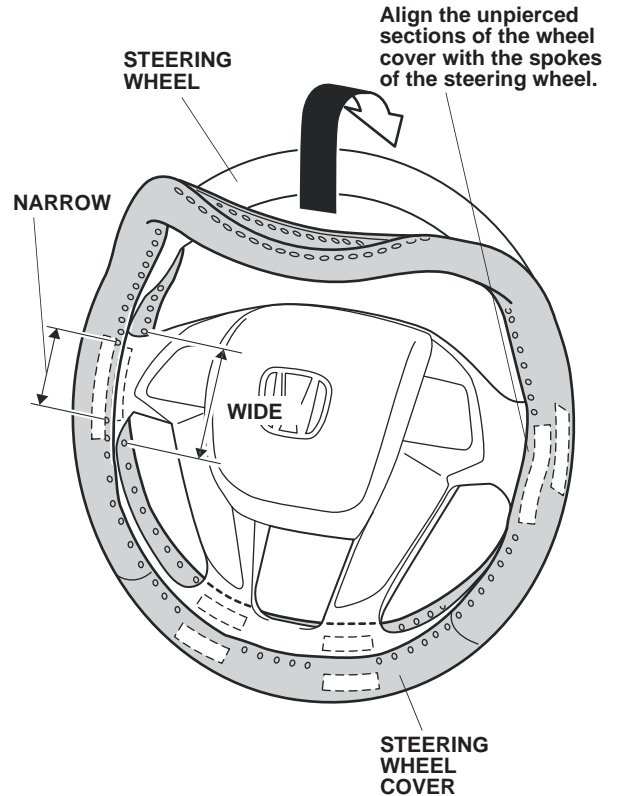
**Customer Information:** The information in this installation instruction is intended for use only by skilled technicians who have the proper tools, equipment, and training to correctly and safely add equipment to your vehicle. These procedures should not be attempted by "do-it-yourselfers."

- Using isopropyl alcohol on a shop towel, thoroughly clean the steering wheel before installing the wheel cover.
- You may want to wear gloves to protect your hands during installation.

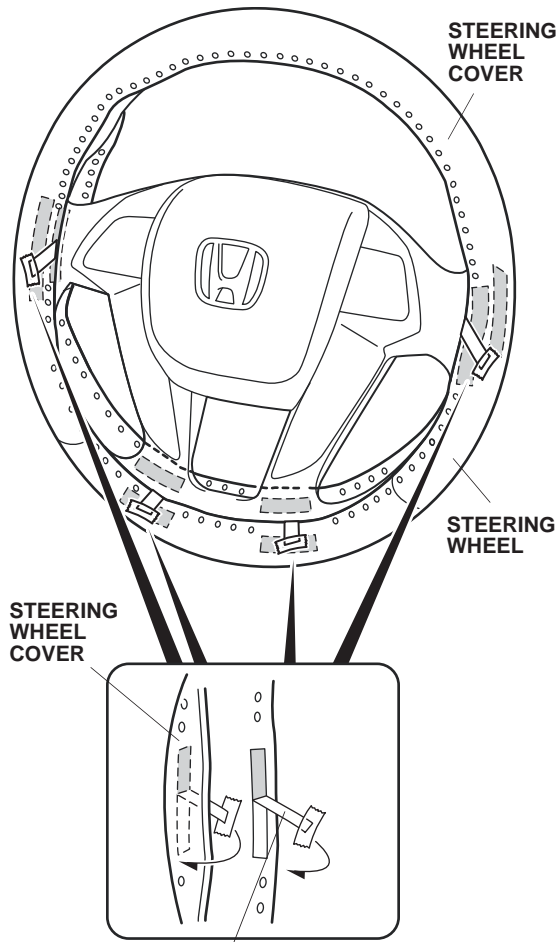
1. Check the steering wheel cover orientation.



2. Place the wheel cover over the steering wheel with the unpierced sections of the wheel cover lined up with the spokes of the steering wheel as shown.

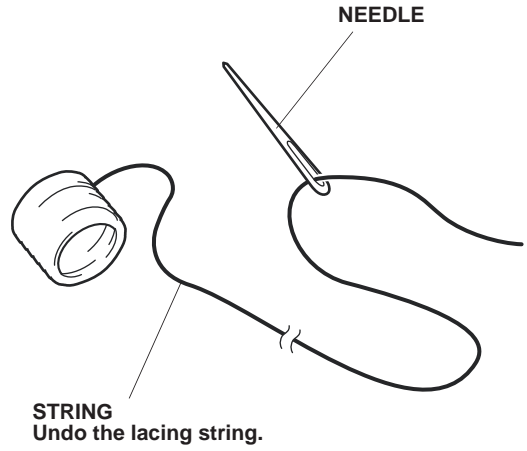


3. Pull back the edge of the steering wheel cover. Peel back the adhesive backings shown, and temporarily attach them to the front of the steering wheel cover with masking tape.

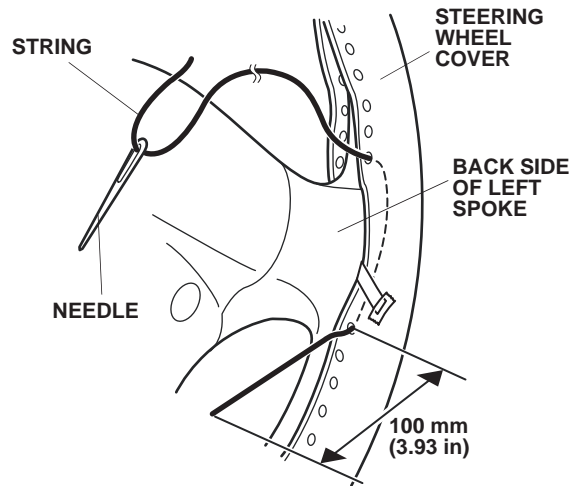


**8 ADHESIVE BACKINGS**  
 Peel back the adhesive backings and temporarily attach them to the front of the steering wheel cover with masking tape.

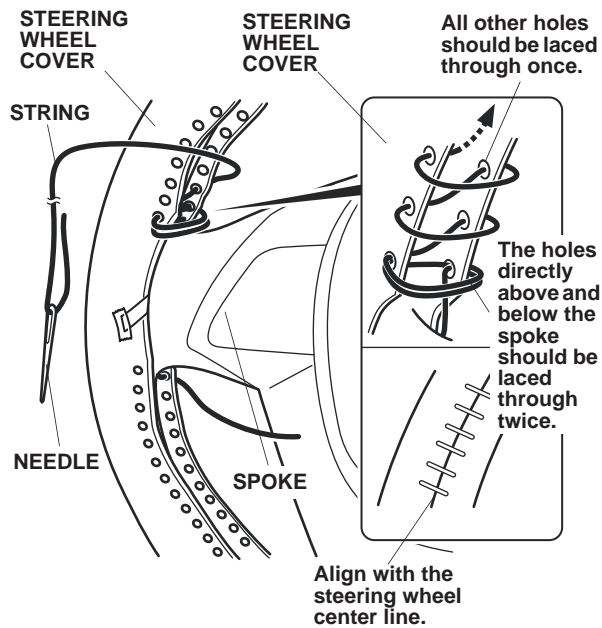
4. Thread the string through the needle as shown.



5. Starting at the back of the left spoke, lace the string through the holes of the steering wheel cover from the inside. Leave approximately 100 mm (3.93 in.) of string at the end. This will be used to tie the string when finished.

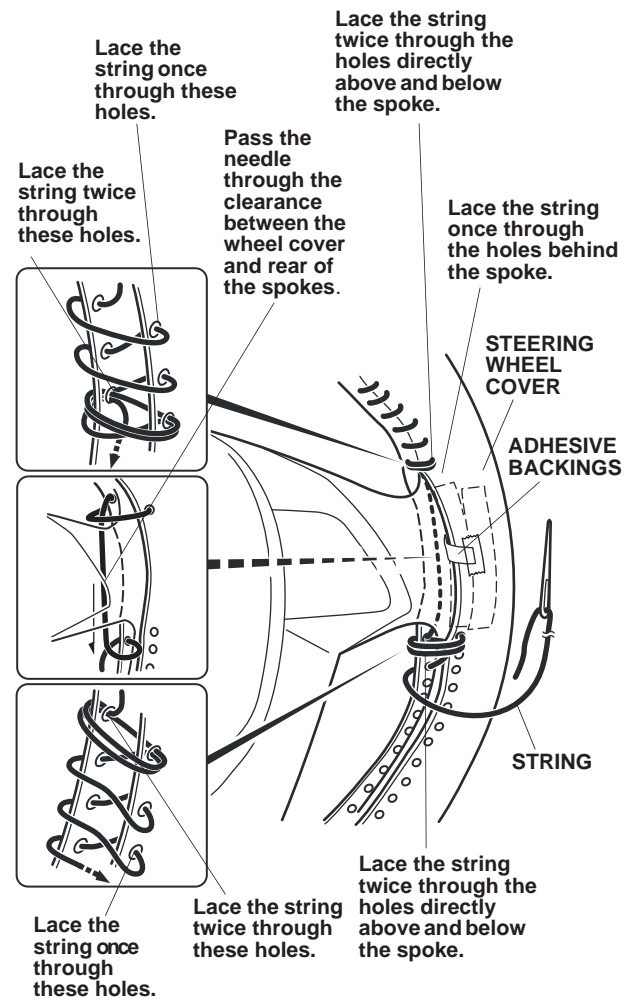


- Tightly lace the string twice through the holes directly above the left spoke as shown.



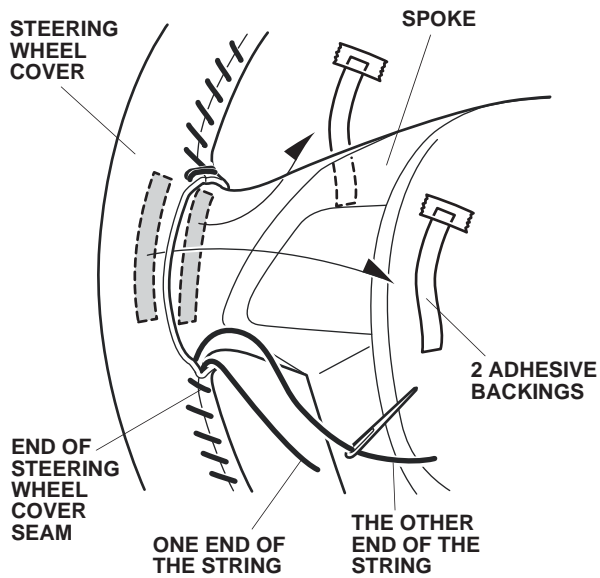
- Continue to lace the string once through each hole as shown, making sure to remove the slack each time you lace the string through a hole.
  - Do not try to tighten the steering wheel cover after lacing the string through several holes. This will not provide secure lacing.
  - Lace up the steering wheel cover so the seam aligns with the center line on the inside of the steering wheel.

- Lace the string twice through the holes directly above the right spoke as shown.



- Lace the string through the holes behind the right spoke once as shown, making sure not to skip any holes.
- At the right spoke, pass the needle through the clearance between the wheel cover and rear of the spokes.
- Lace the string twice through the holes directly below the right spoke as shown.
- Continue to lace the string once through each hole as shown.

13. Remove the adhesive backings from the right side and under side of the steering wheel cover.
14. After lacing up the entire steering wheel cover, pull the string out at the end of the steering wheel cover seam. Be sure that both ends of the string are equal in length.



15. Remove the adhesive backings from the left side of the steering wheel cover.
16. Tie the ends of the string together twice securely. Cut off the excess string after the knot.
17. Put the knot inside the steering wheel cover.