



# INSTALLATION INSTRUCTIONS

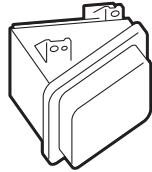
Accessory  
**FOG LIGHTS**  
P/N 08V31-SJC-100B

Application  
**2012 RIDGELINE**

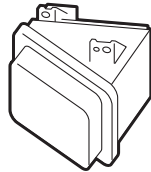
Publications No.  
**All 12019**  
Issue Date  
**NOV 2011**

## PARTS LIST

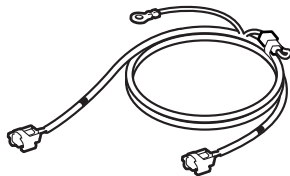
Left fog light



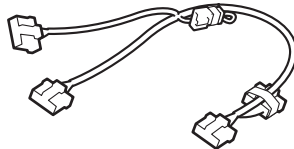
Right fog light



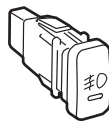
Fog light harness



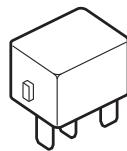
Switch harness



Switch



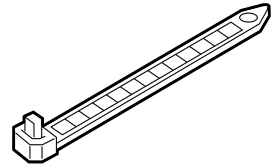
Relay



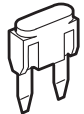
6 Tapping-screws, 5 x 16 mm



17 Wire ties



Fuse (20A)



## TOOLS AND SUPPLIES REQUIRED

Phillips screwdriver

Flat-tip screwdriver

Diagonal cutters

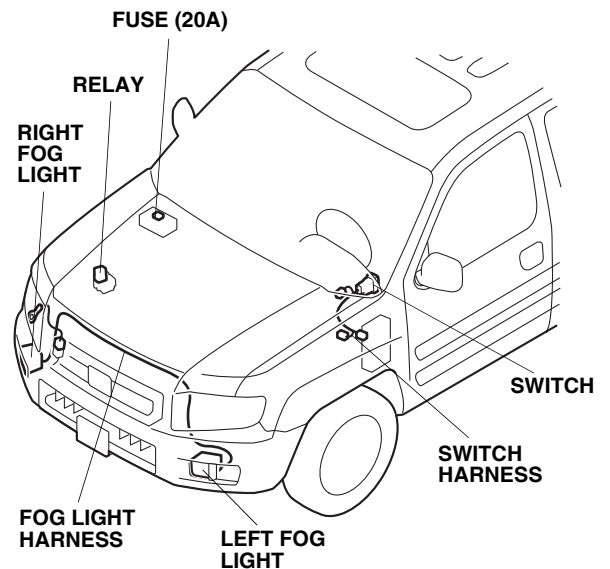
Ratchet

10 mm Socket

10 mm Combination wrench

Blanket

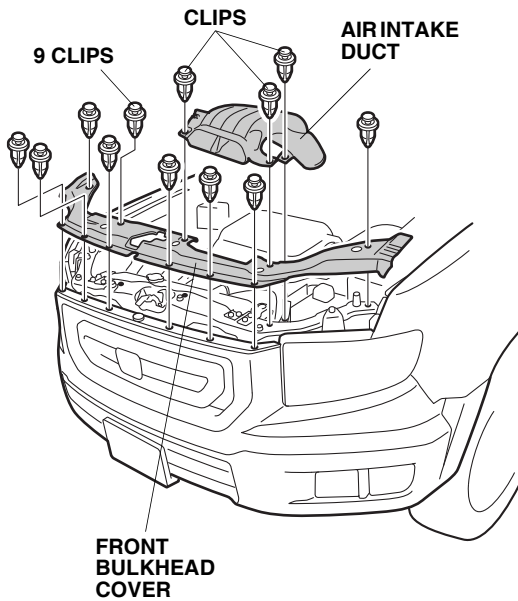
## Illustration of the Fog Lights Installed on the Vehicle



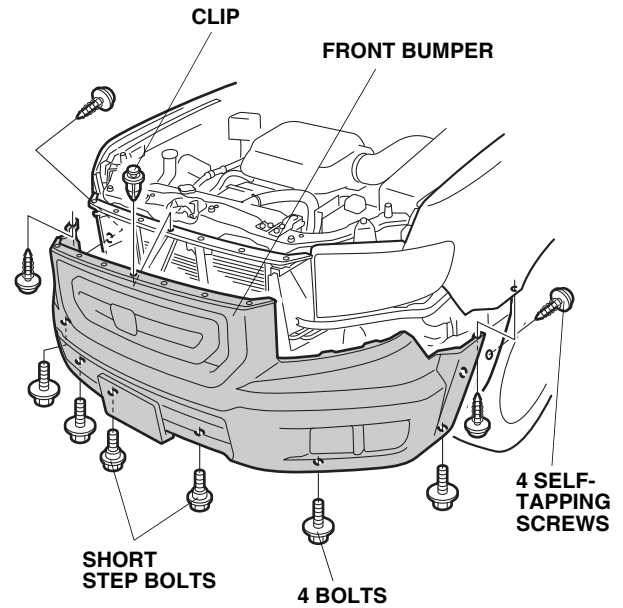
## INSTALLATION

**Customer Information:** The information in this installation instruction is intended for use only by skilled technicians who have the proper tools, equipment, and training to correctly and safely add equipment to your vehicle. These procedures should not be attempted by “do-it-yourselfers.”

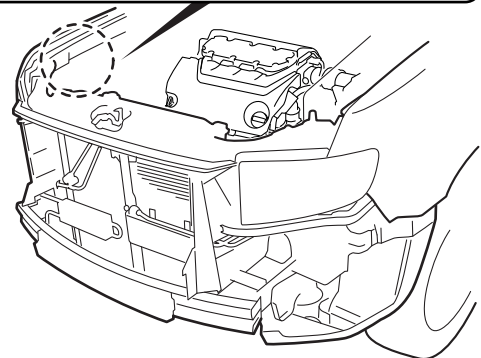
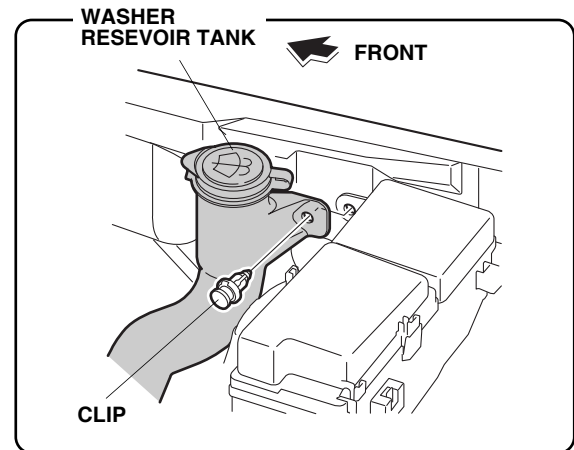
1. Make sure you have the anti-theft code for the audio and navigation system (if equipped).
2. Disconnect the negative cable from the battery.
3. Remove the air duct and the front bulkhead cover (twelve clips).



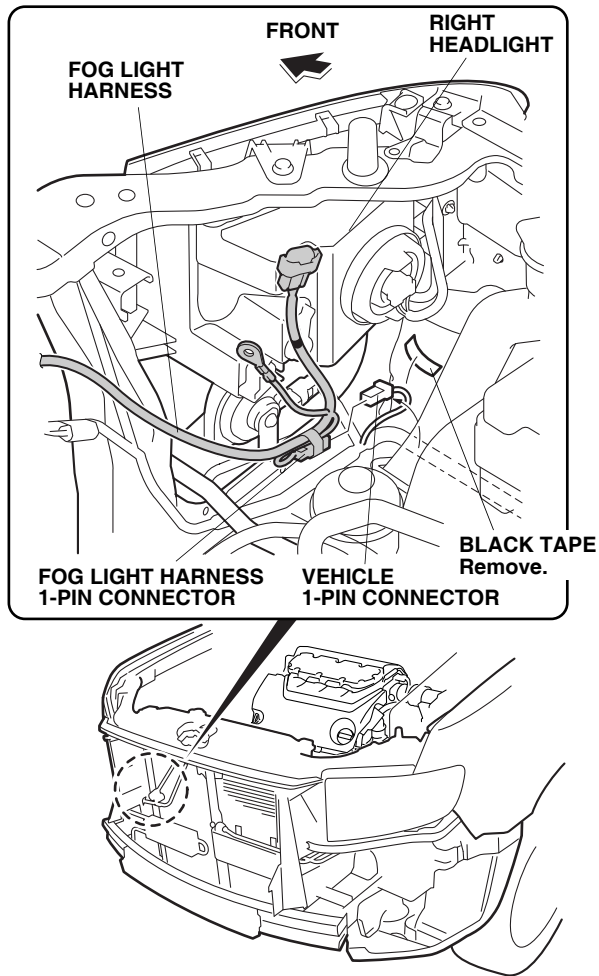
4. Remove the front bumper (one clip, four bolts, two short step bolts and four self-tapping screws). Have an assistant help you when removing the front bumper. Place the front bumper on a blanket after removal.



5. Remove the clip that fastens the washer reservoir tank.

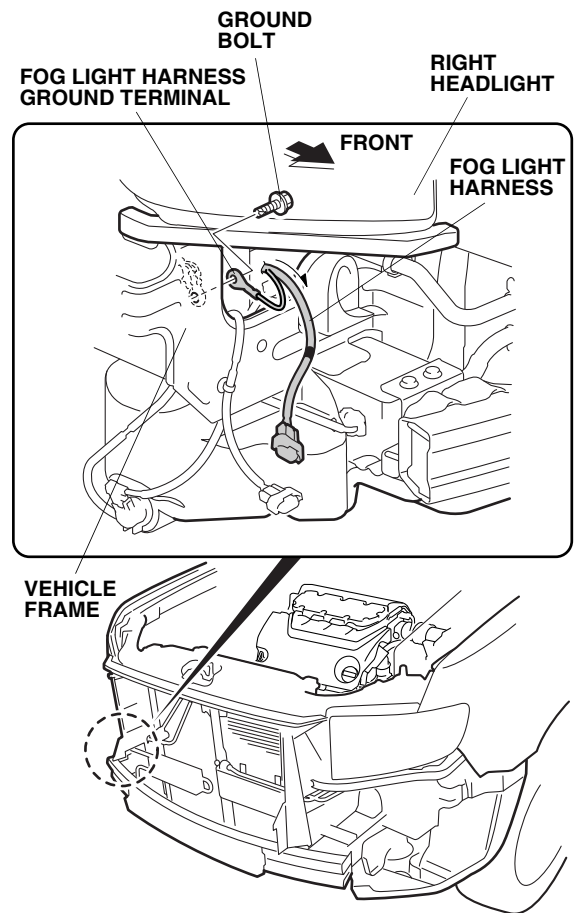


6. Locate the vehicle 1-pin connector, and remove the black tape to release the connector.



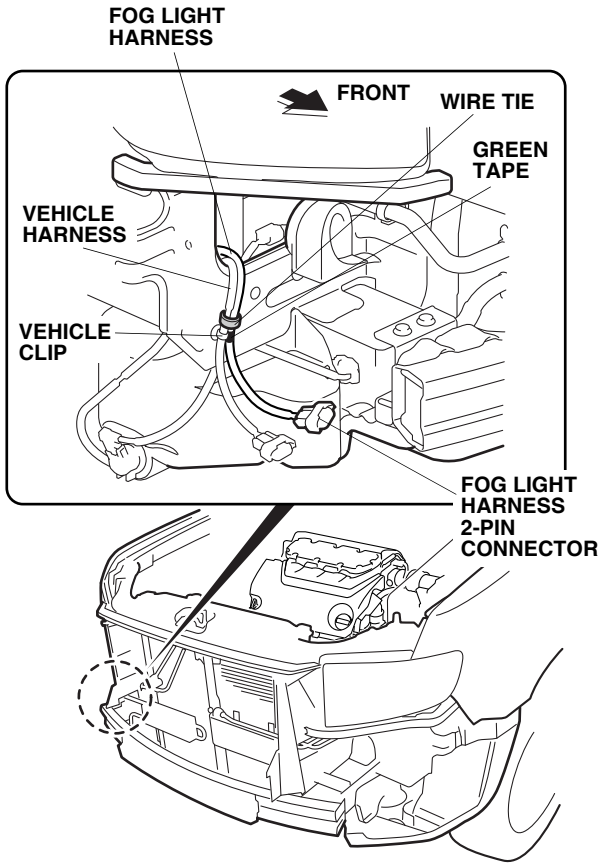
7. Plug the fog light harness 1-pin connector to the vehicle 1-pin connector.

8. Route the fog light harness ground terminal to the underside of the vehicle.



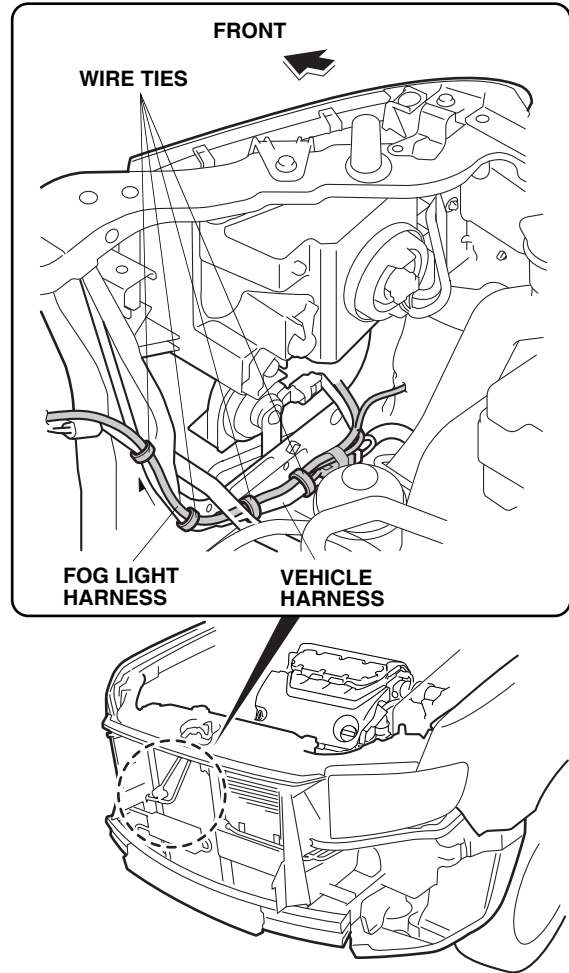
9. Secure the fog light harness ground terminal to the vehicle frame with one ground bolt.

- Route the fog light harness 2-pin connector (shorter length) as shown, and align the green-taped part of the fog light harness with the vehicle clip.



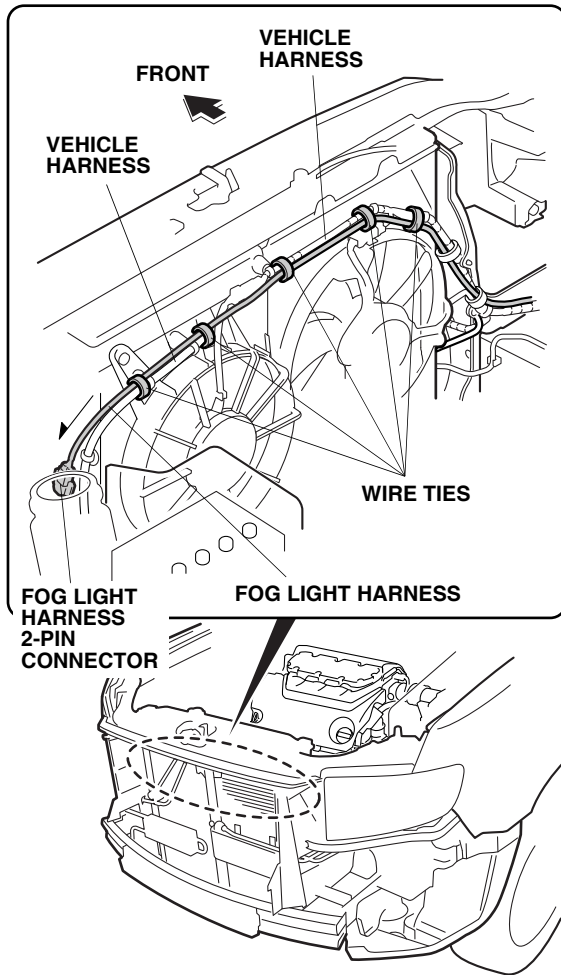
- Secure the fog light harness to the vehicle harness with one wire tie.

- Route the fog light harness 2-pin connector (longer length of the harness) along the vehicle harness toward the left side of the vehicle as shown.



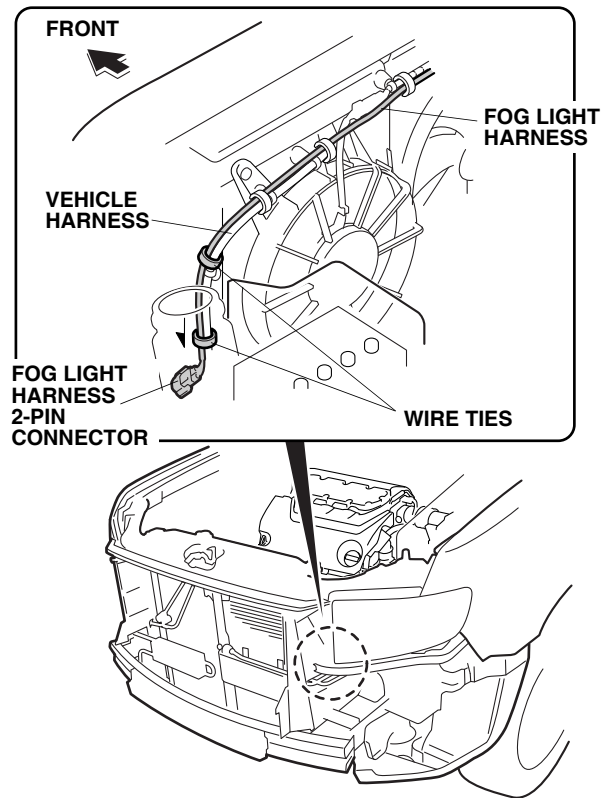
- Secure the fog light harness to the vehicle harness with four wire ties.

14. Route the fog light harness 2-pin connector (longer length of the harness) along the vehicle harness to left side of the vehicle as shown.



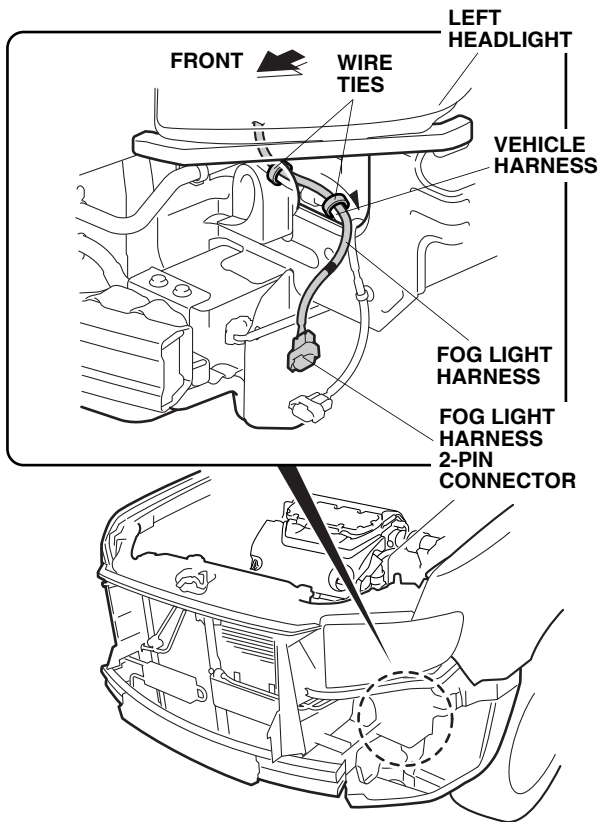
15. Secure the fog light harness to the vehicle harness with five wire ties.

16. Route the fog light harness 2-pin connector along the vehicle harness toward the left side of the vehicle as shown.



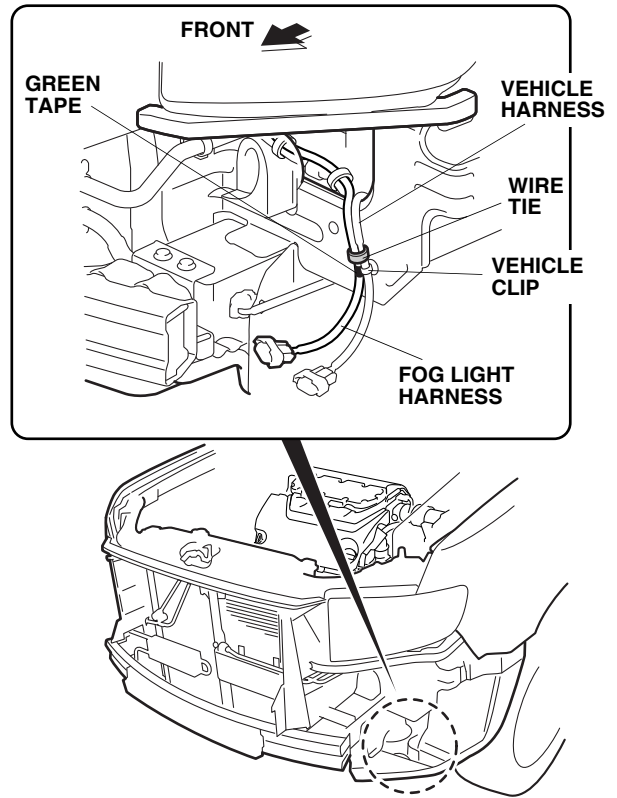
17. Secure the fog light harness to the vehicle harness with two wire ties.

18. Route the fog light harness 2-pin connector under the left headlight as shown.

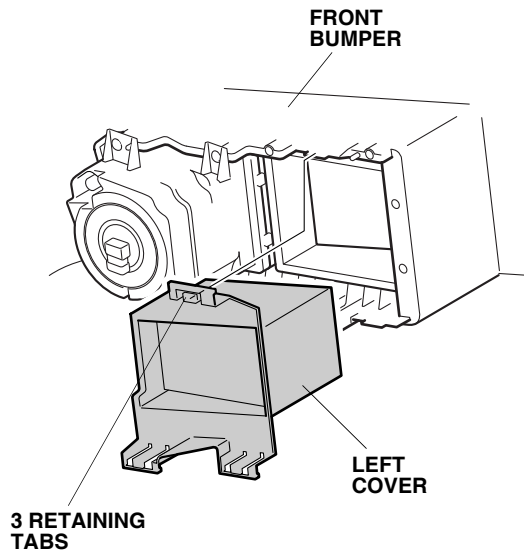


19. Secure the fog light harness to the vehicle harness with two wire ties.

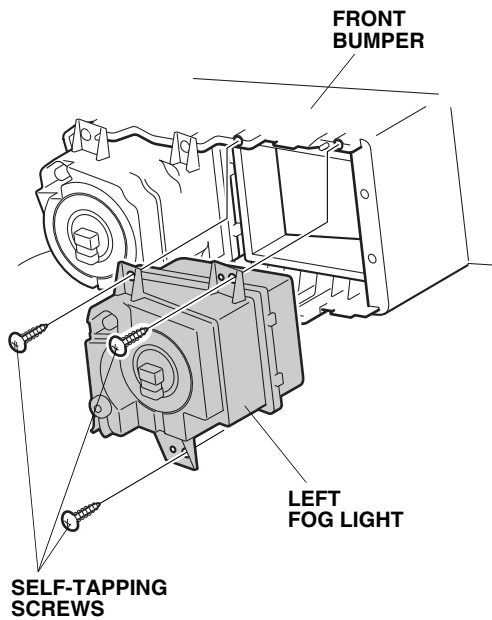
20. Align the green-taped part of the fog light harness with the vehicle clip, and secure the fog light harness to the vehicle harness with one wire tie.



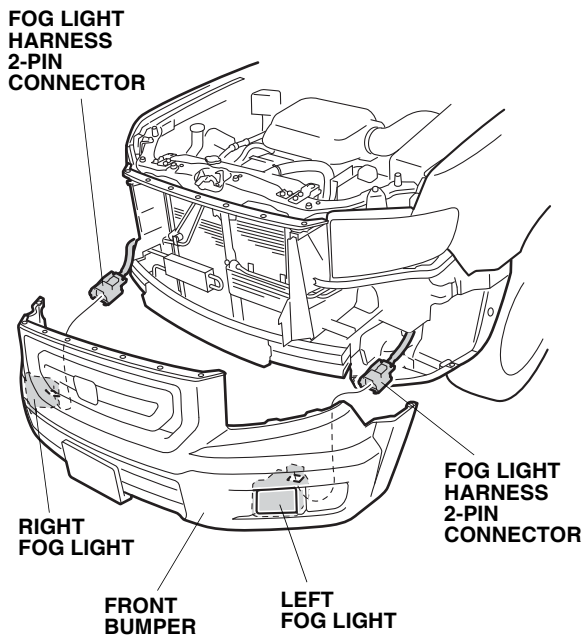
21. Remove the left cover from the front bumper (three retaining tabs).



22. Insert the left fog light to the front bumper with three self-tapping screws.

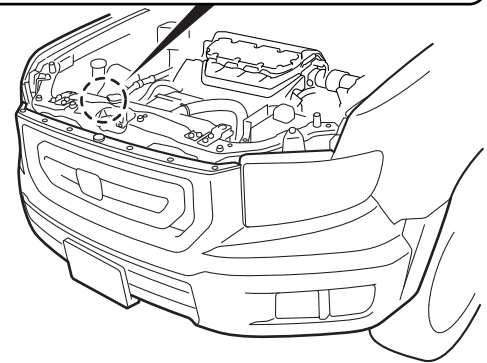
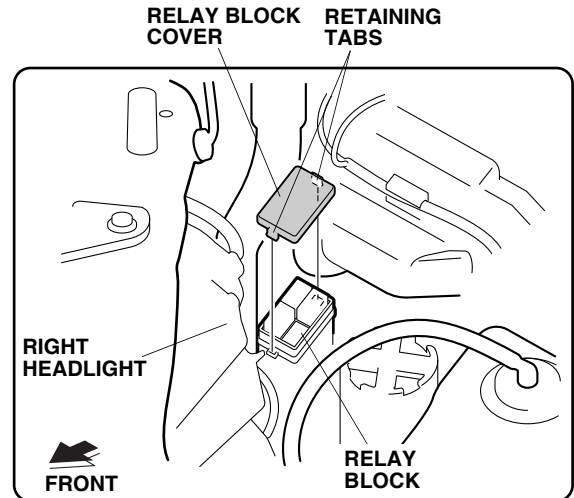


23. Repeat step 21 and step 22 on the right side.  
 24. With the help from an assistant, plug each fog light harness 2-pin connector into the fog lights.

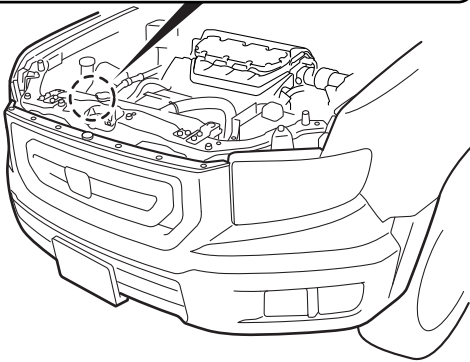
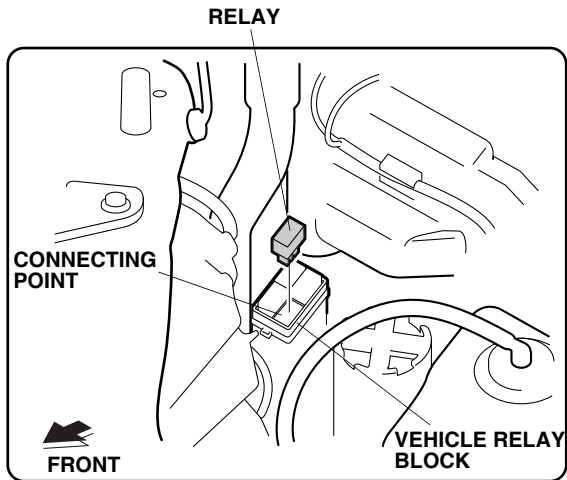


25. Reinstall the front bumper. Have an assistant help you when installing the front bumper.

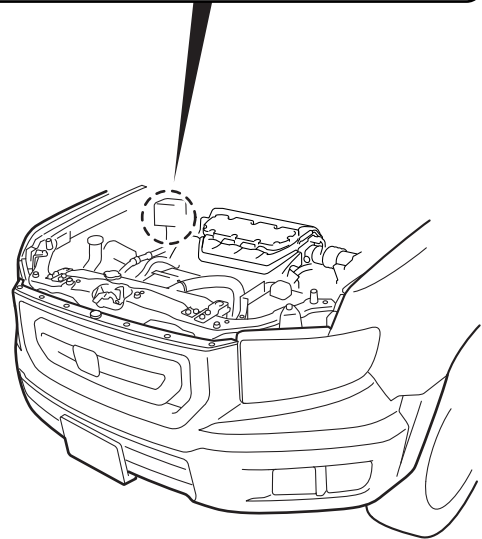
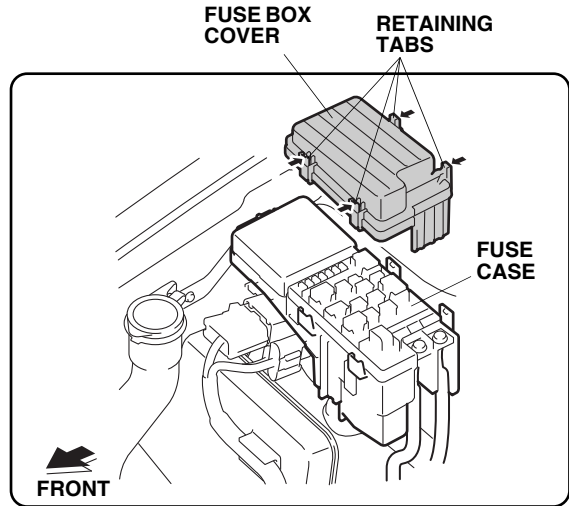
26. Remove the relay block cover (two retaining tabs).



27. Install the relay into the vehicle relay block.

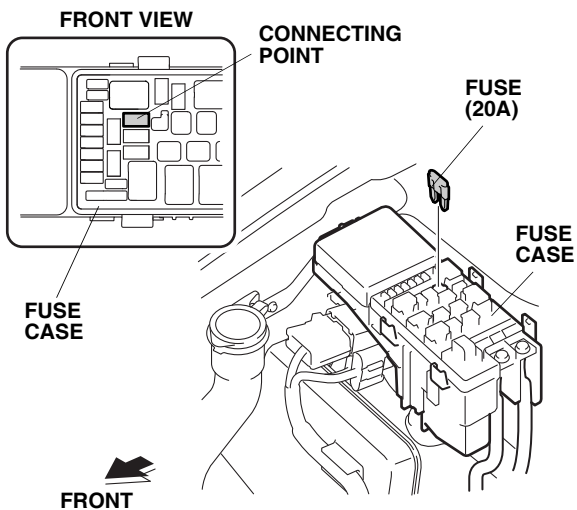


28. Remove the fuse box cover (four retaining tabs).

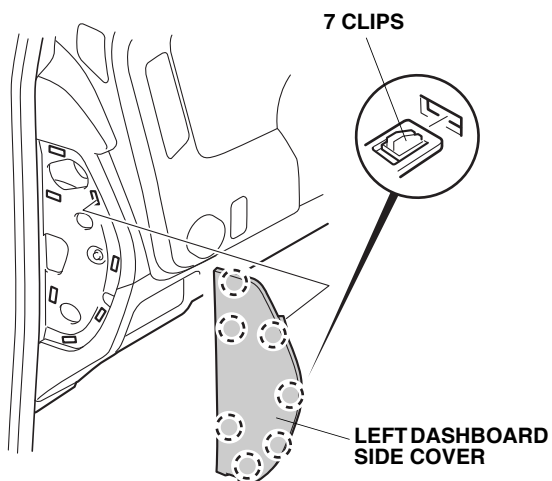




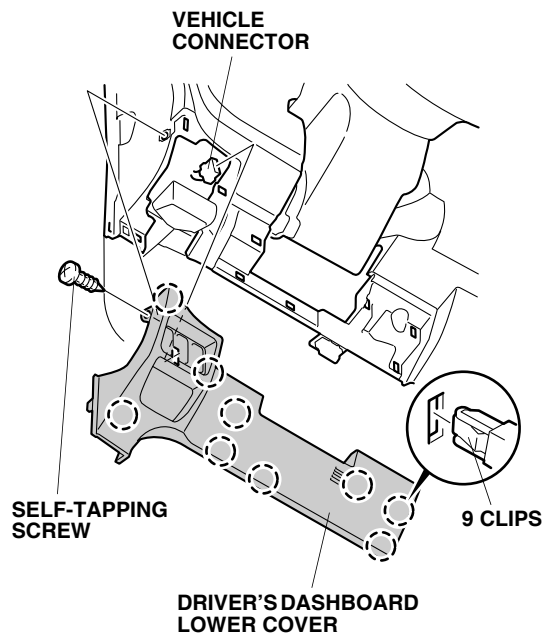
29. Install the fuse (20A) into the fuse case as shown.



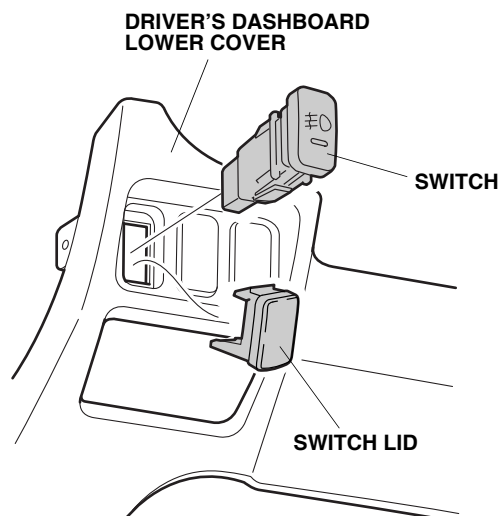
30. Remove the left dashboard side cover (seven clips).



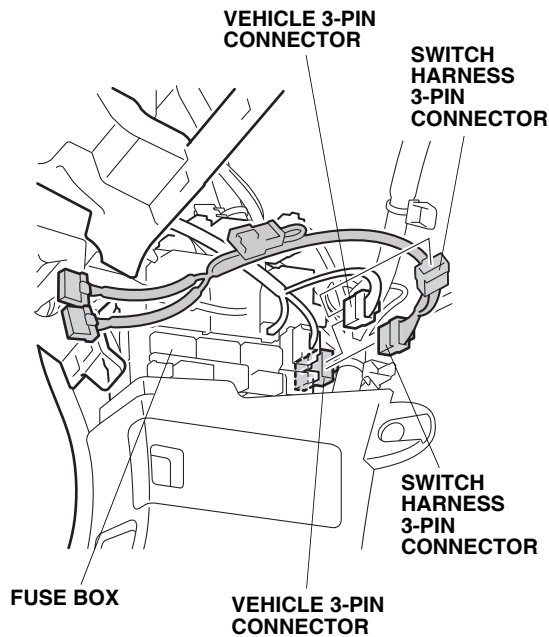
31. Remove the driver's dashboard lower cover (one self-tapping screw, nine clips, unplug one vehicle connector).



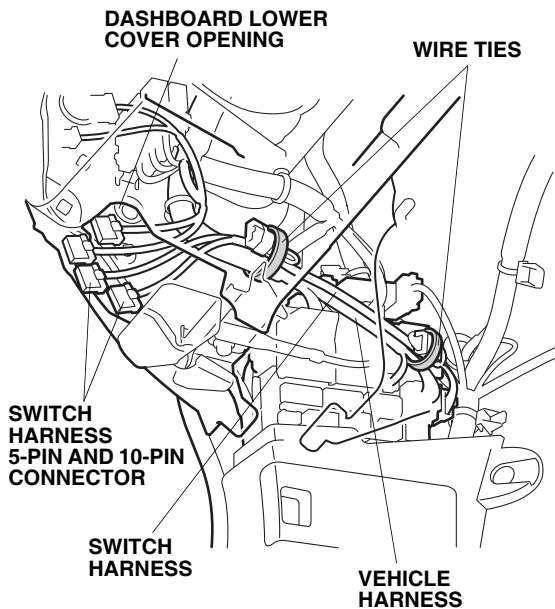
32. Remove the switch lid from the driver's dashboard lower cover, and install the switch.



33. Unplug the vehicle 3-pin connector from the fuse box. Plug the vehicle 3-pin connector into the switch harness 3-pin connector, and plug the switch harness 3-pin connector into the fuse box connector as shown.

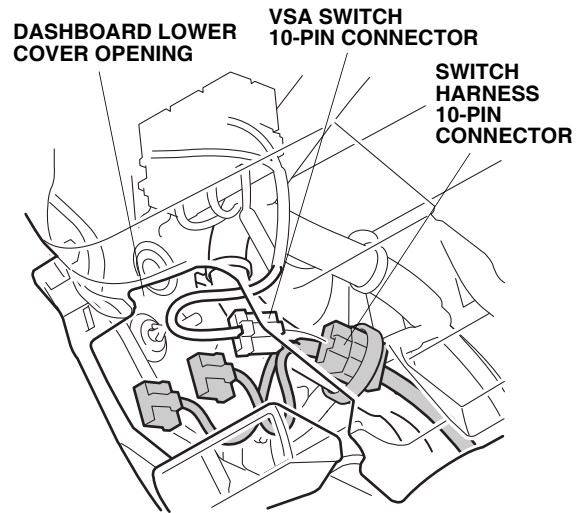


34. Route the switch harness 5-pin and 10-pin connectors to the dashboard lower cover opening.

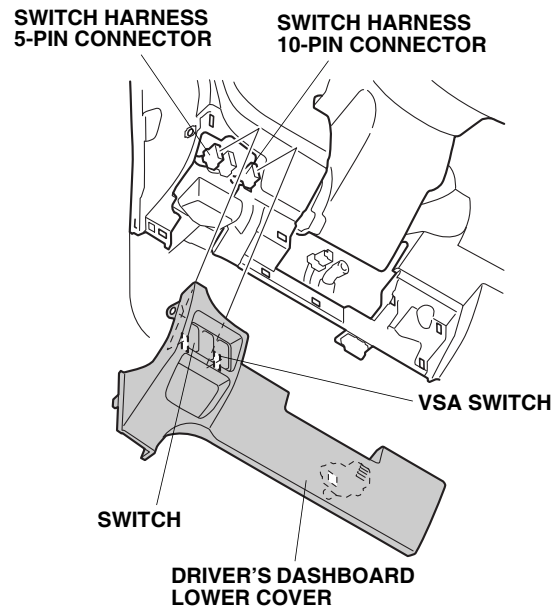


35. Secure the switch harness to the vehicle harness with two wire ties.

36. Plug the vehicle VSA switch 10-pin connector into the switch harness 10-pin connector.




37. Plug the switch harness 10-pin connector (gray) into the fog light switch, and plug the switch harness 10-pin connector (gray) into the vehicle VSA switch.



38. Reinstall all removed parts. Check that the wire harnesses are not pinched. Be sure to tighten the clip and bolts securely.
39. Check the operation of the fog lights; adjust the aiming if necessary.

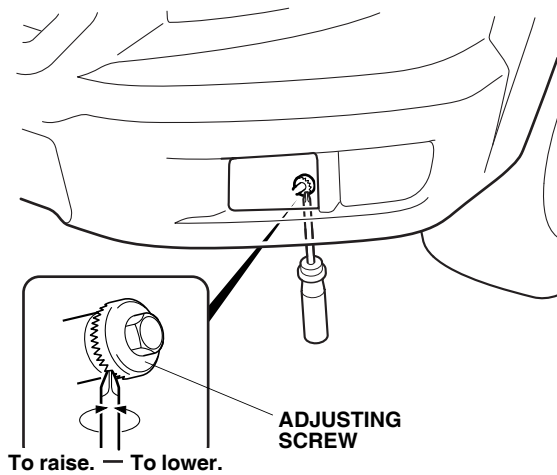
## USE AND CARE

### How to Operate Fog Lights

- Turn the lights switch to the “D” position (headlights on low beam).
- Press the fog light switch (indicator is on).  
NOTE: The fog light lenses can cloud when the outside temperature is cold; this is normal and should go away in warm weather.
- If the fog lights do not come on, check the fuse and all the connectors, including the ground cable.

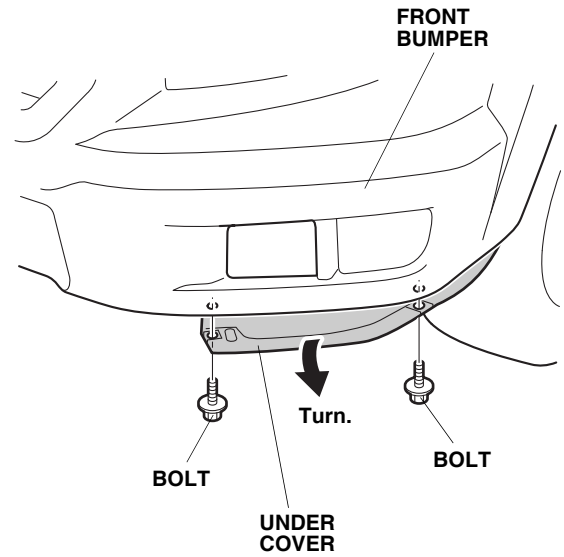
### Fog Light Aiming Adjustment

Turn the adjustment screw in or out until the correct aim is obtained. Adjust the aim according to local laws and regulations.

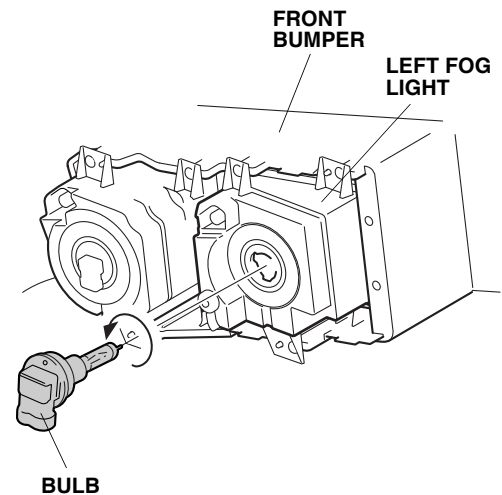


## BULB REPLACEMENT

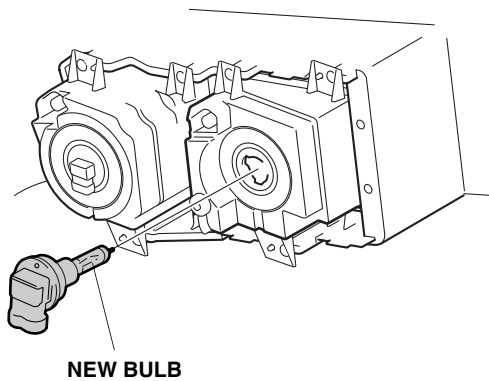
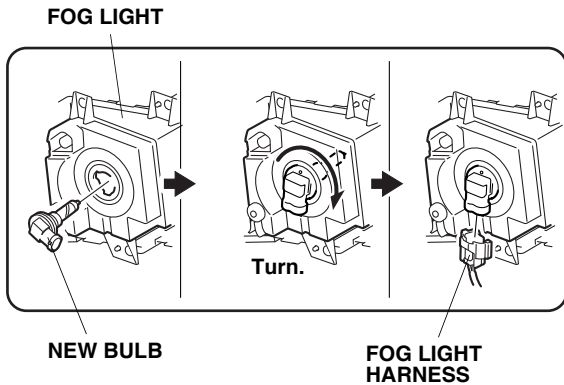
1. Remove two bolts, and pull down the under cover and inner fender.



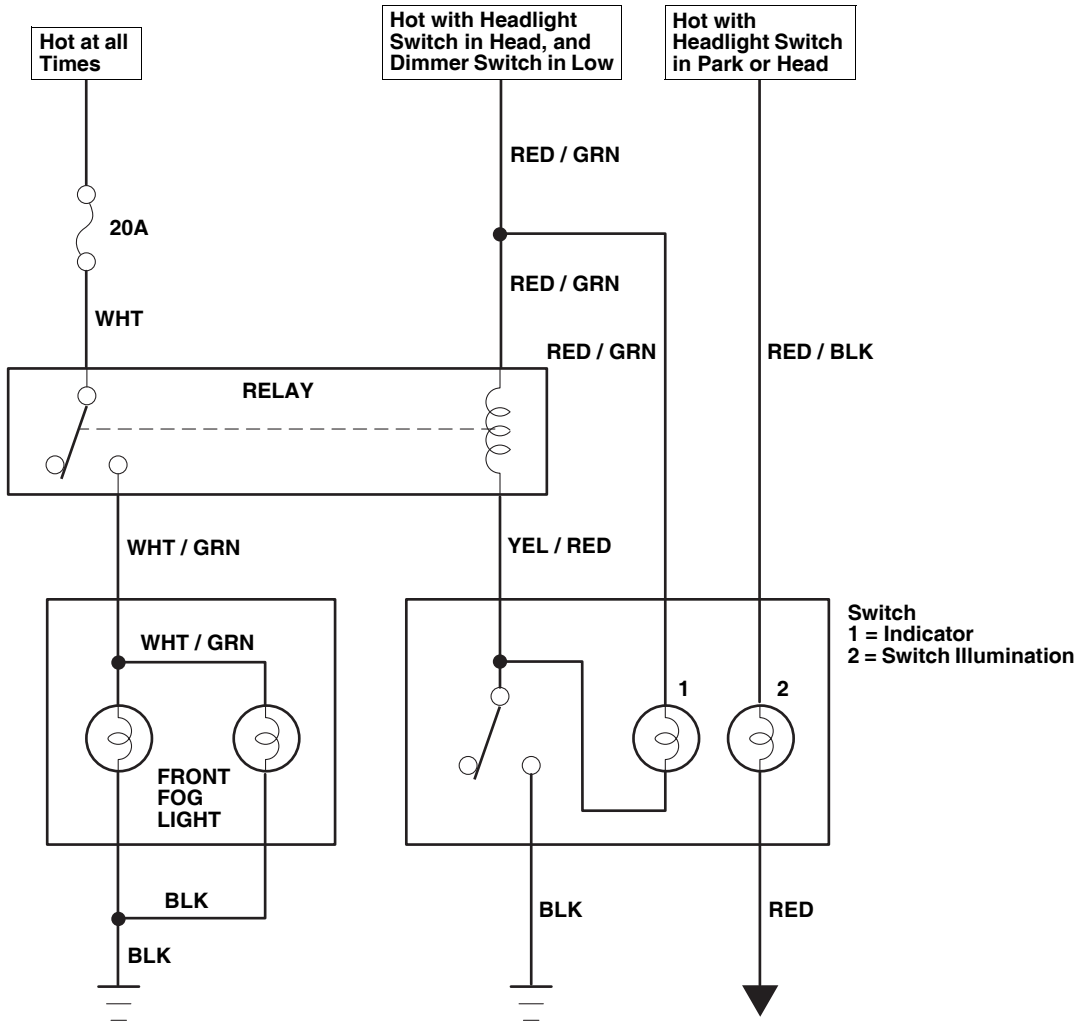
2. Insert your hand between the inner fender and the bumper. Unplug the connector from the bulb, then remove the bulb.



3. Install the new bulb into the fog light.
- Use only a Honda Genuine halogen light bulb of specified wattage.  
Rating: 12V 55W H11 Halogen Light Bulb  
P/N33165-S5A-003
  - Do not touch the bulb. Oily or greasy substances on the bulb can shorten its service life due to the heat produced when the bulb is turned on. If the bulb is touched accidentally, wipe it clean with a soft cloth that has been dampened with a denatured alcohol or a mild detergent solution.
  - When installing the new bulb, align the cutout on the fog light with the tab on the new bulb and turn the new bulb clockwise until it locks. If not properly aligned, the fog light may annoy oncoming driver's view.



# CIRCUIT DIAGRAM



		LIGHT SWITCH		DIMMER SWITCH	
		OFF		Low	Hi
	FOG LIGHT SWITCH	OFF	-	-	-
		ON	-	ON	-

BLK	BLACK	BRN	BROWN
YEL	YELLOW	ORN	ORANGE
BLU	BLUE	PUR	PURPLE
GRN	GREEN	NAT	NATURAL
RED	RED	PNK	PINK
WHT	WHITE	GRY	GRAY
LT BLU	LIGHT BLUE	LT GRN	LIGHT GREEN