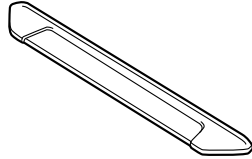
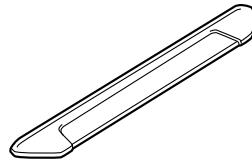


## PARTS LIST

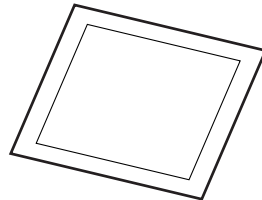
Driver's door sill trim



Passenger's door sill trim



2 Alcohol swabs

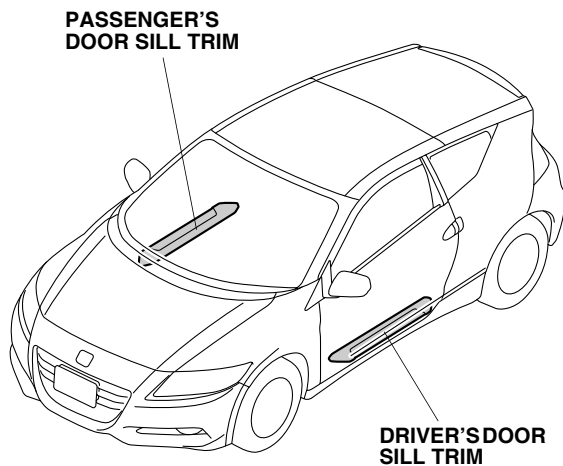


## TOOLS AND SUPPLIES REQUIRED

Scale

Masking tape

### Illustration of the Door Sill Trims Installed on the Vehicle

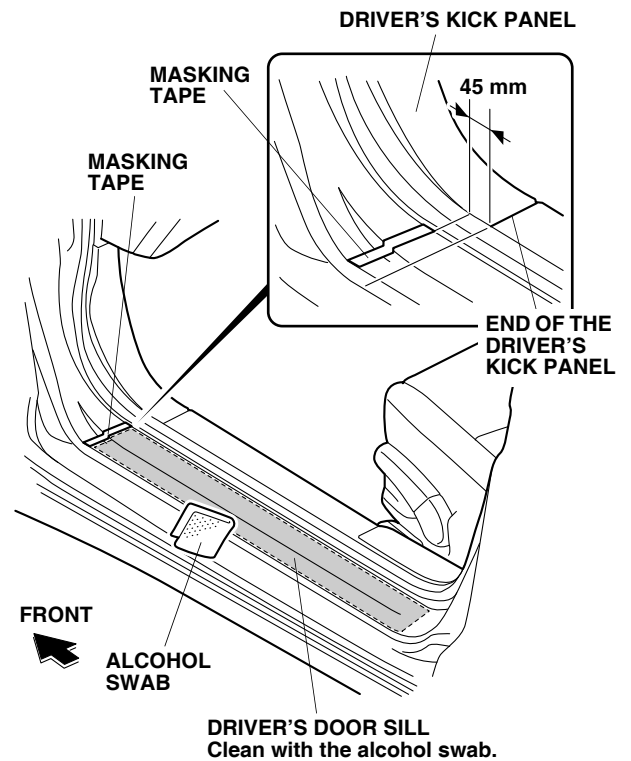


## INSTALLATION

**Customer Information:** The information in this installation instruction is intended for use only by skilled technicians who have the proper tools, equipment, and training to correctly and safely add equipment to your vehicle. These procedures should not be attempted by "do-it-yourselfers."

### NOTE:

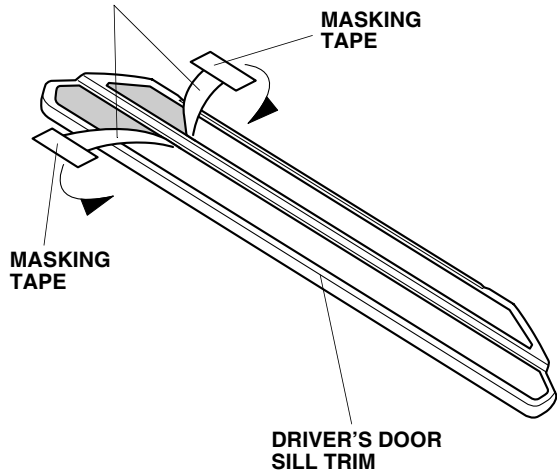
- Do not damage the paint finish.
  - This kit should be installed only if the ambient air temperature is 15°C (60°F) or above.
  - To allow the adhesive to cure, do not wash the vehicle for 24 hours. Please advise the customer.
1. Open the driver's door. Measure and attach a piece of masking tape to the driver's side step as shown.



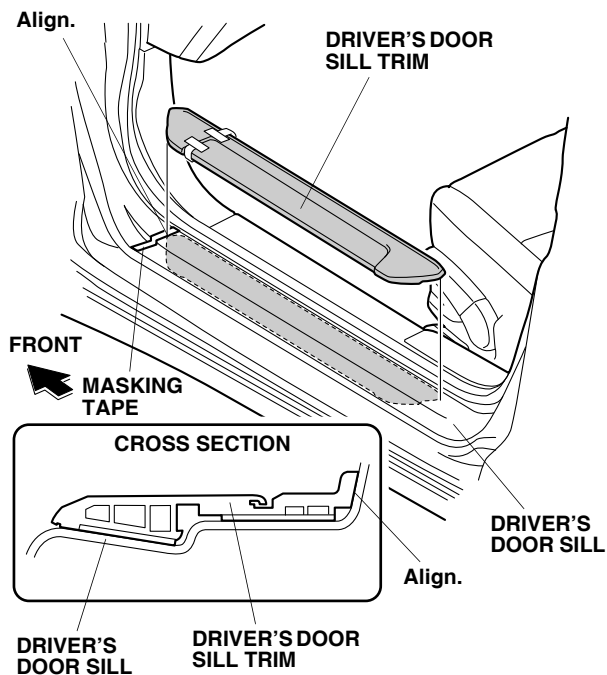
2. Using one alcohol swab, thoroughly clean the door sill where the driver's door sill trim will attach.

- Peel back approximately 1½ to 2 inches of the adhesive backing from each outer adhesive strip, and tape the ends to the front surface of the driver's door sill trim.  
NOTE: Check the back of the driver's door sill trim for the markings, and make sure to install the correct door sill trim.

**ADHESIVE BACKINGS**  
Peel back 1½ to 2 inches and tape them to the front surface of the door sill trim.

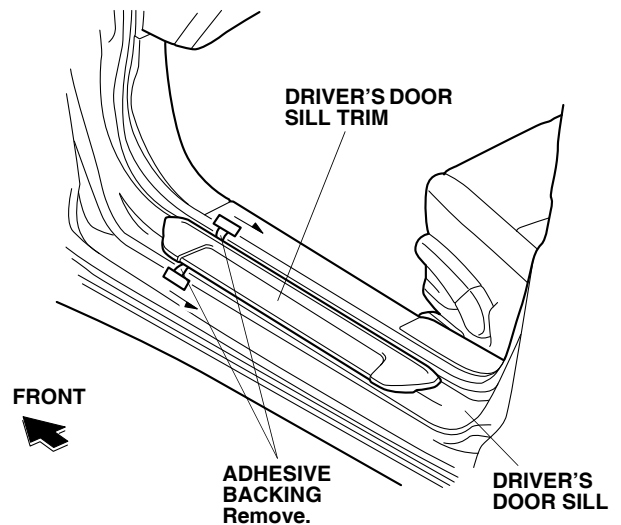


- Align the front edge of the driver's door sill trim to the masking tape, and install the driver's door sill trim to the driver's door sill.



- Remove the masking tape.

- While applying light pressure against the driver's door sill trim, carefully remove the two adhesive backings. Using the palm of your hand, firmly press the driver's door sill trim onto the driver's door sill.



- Remove the protective film from the driver's door sill trim.
- Repeat steps 1 through 7 to install the passenger's door sill trim on the right side of the vehicle.