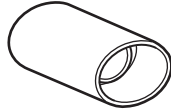


**PARTS LIST**

Exhaust pipe finisher

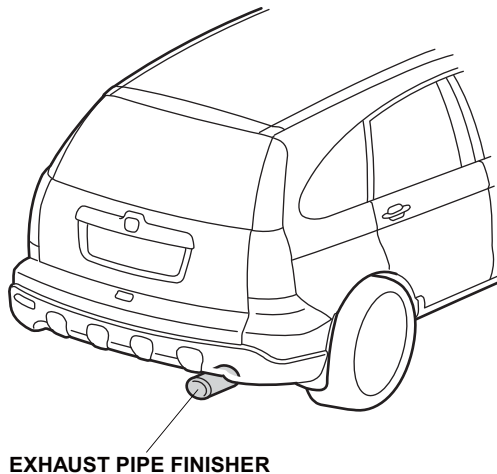


Flange bolt

**TOOLS AND SUPPLIES REQUIRED**

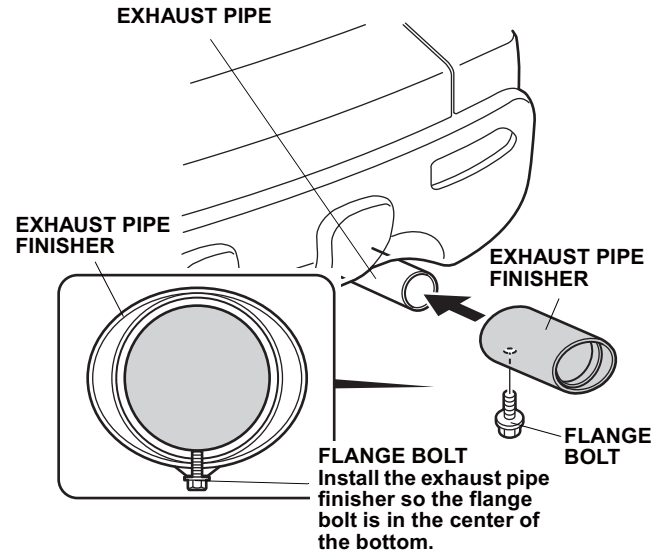
Ratchet wrench

10 mm Socket

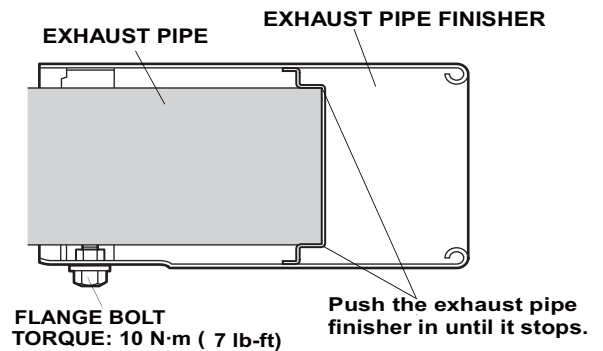
**Illustration of the Exhaust Pipe Finisher on the Vehicle****INSTALLATION**

**NOTE:** Allow the exhaust pipe to cool down before you install the exhaust pipe trim.

1. Partially thread the supplied flange bolt into the new exhaust pipe finisher.



2. With the flange bolt on the bottom, slide the exhaust pipe finisher onto the exhaust pipe until it bottoms.



3. While pushing the exhaust pipe finisher firmly against the exhaust pipe, tighten the flange bolt. Torque to 10 N·m (7 lb-ft).
4. Start the engine, and rev it a few times. Listen for vibration from the exhaust pipe finisher and adjust if necessary.

**NOTE:** Do not clean the exhaust pipe finisher using a wax that contains abrasive material, as it can scratch the finisher.