



INSTALLATION INSTRUCTIONS

Accessory
CARGO NET
P/N 08L96-SJC-100A

Application
2009 RIDGELINE

Publications No.
All 40327

Issue Date
AUG 2008

Keep this information in the glove box for future reference.

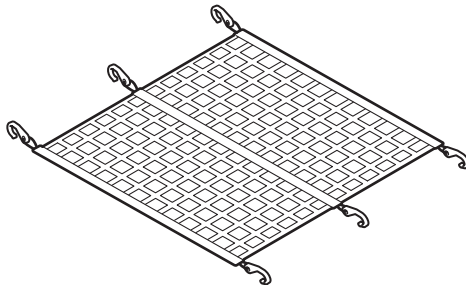
Thank you for purchasing a Honda Product.

Please read these instructions carefully before using the cargo net.

- This product is designed to be used exclusively with Honda vehicles.
Honda is not responsible for the unit installed in other than applicable Honda vehicles. For information on the applicable Honda vehicles, please contact your authorized Honda dealer.
- These instructions should be considered a permanent part of your vehicle. It should remain with the vehicle at all times.

PARTS LIST

Cargo net

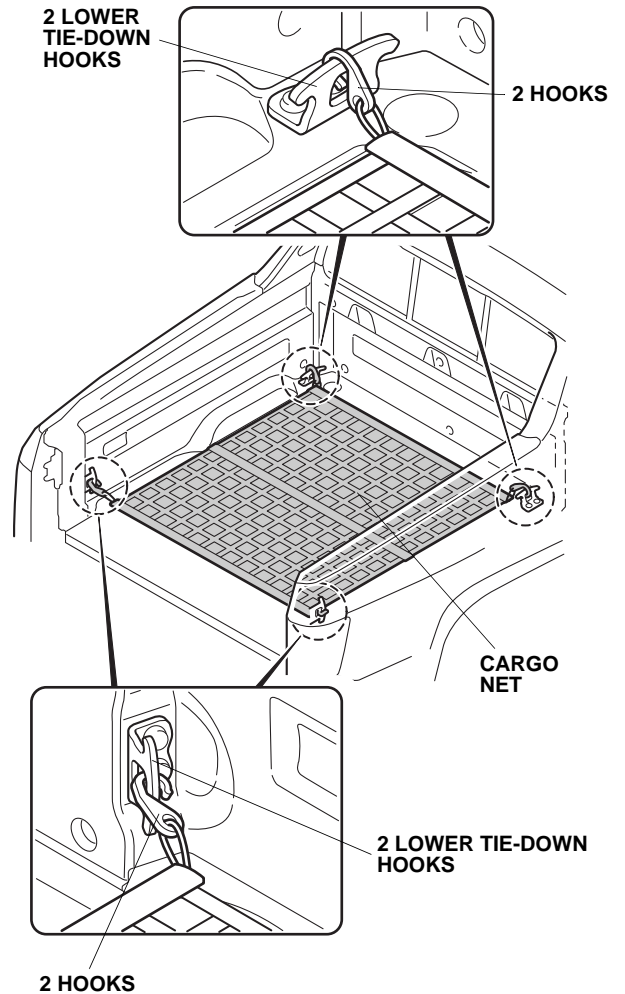


USE OF THE CARGO NET

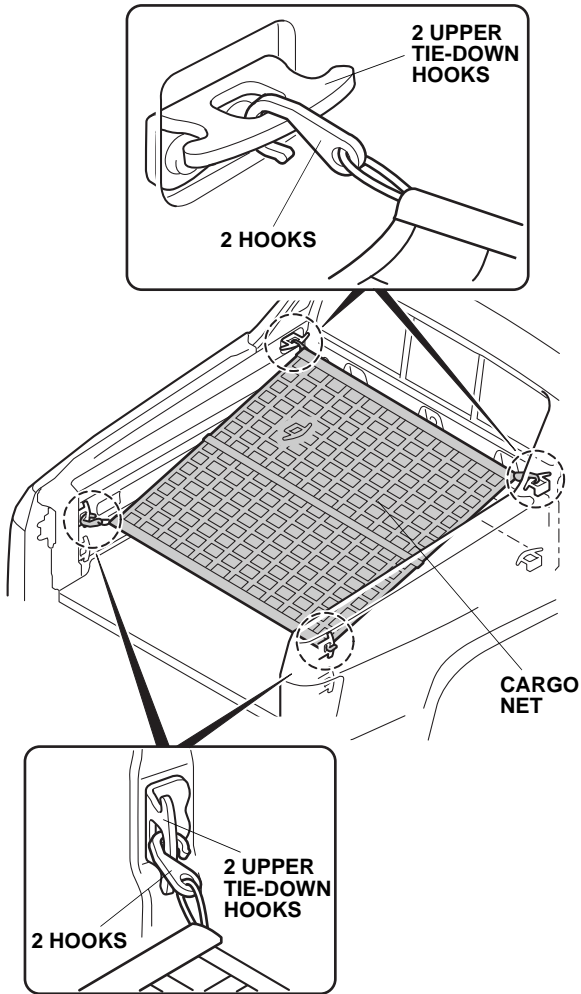
- Luggage stored in the cargo net may interfere with the tailgate when it is closed. To prevent damage to the cargo net, do not store large or fragile articles in the cargo net.
- Before storing articles that has sharp edges or corners, wrap them with paper or in a blanket so it will not make contact with the cargo net directly.

Installing the Cargo Net in the Horizontal Position

- Attach the hooks on the cargo net to the four lower tie-down hooks as shown.



- Attach the cargo net hooks to the four upper tie-down hooks as shown.



Installing the Cargo Net in the Vertical Position

- Fold the cargo net. Attach the cargo net hooks to two upper tie-down hooks, and two lower tie-down hooks as shown.

