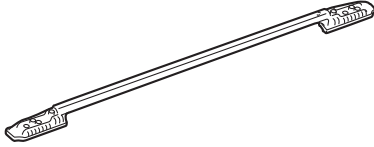
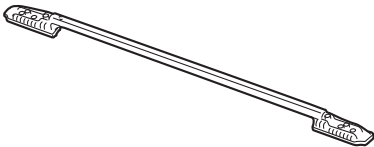


**PARTS LIST**

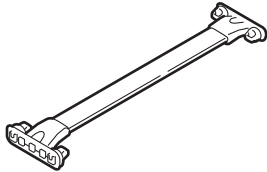
Left side roof rack



Right side roof rack



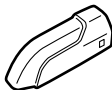
2 Cross bars



2 Torx screws



Left front roof rack cover



Right front roof rack cover



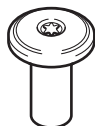
Left rear roof rack cover



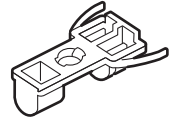
Right rear roof rack cover



8 Torx nuts



4 Roof molding clips

**TOOLS AND SUPPLIES REQUIRED**

Phillips screwdriver

Flat-tip screwdriver

Shop towel

Long-nose pliers

T-30 Torx driver

Air saw: Snap-on AT192A or equivalent

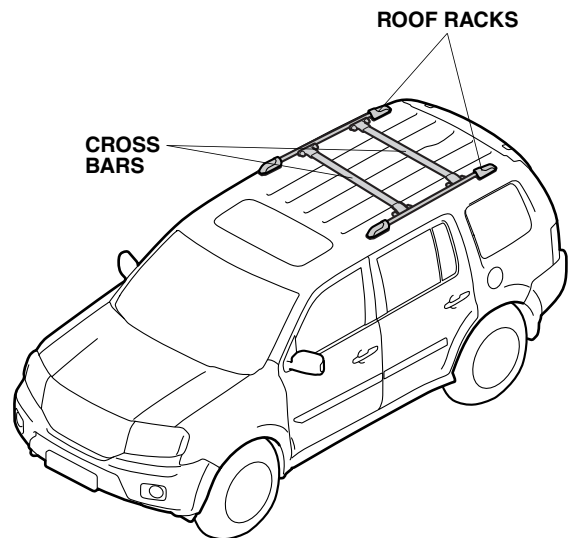
Plastic trim tool: T/N SILTRIMTL10

Drill

3 mm and 10 mm Drill bits

Pushpin

Eye protection

***Illustration of the Roof Racks and Cross Bars on the vehicle.***

## INSTALLATION

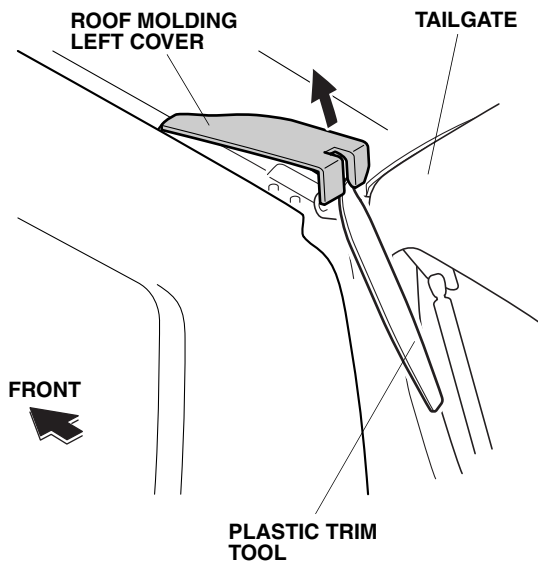
**Customer Information:** The information in this installation instruction is intended for use only by skilled technicians who have the proper tools, equipment, and training to correctly and safely add equipment to your vehicle. These procedures should not be attempted by “do-it-yourselfers.”

### NOTE:

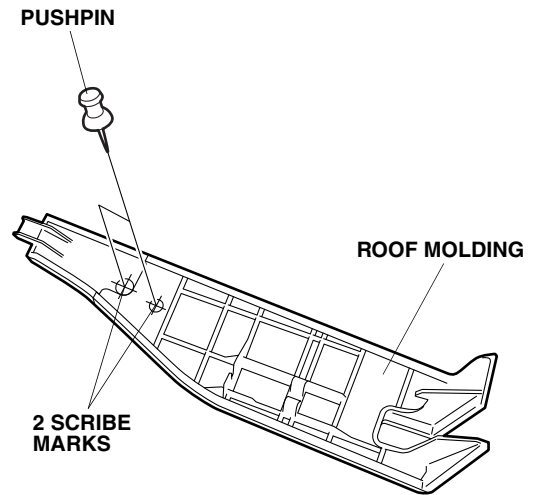
- The weight of the cargo must not exceed the maximum weight capacity of 75 kg (165 lbs).
- Be extremely careful not to damage the roof and other finished surfaces of the body when installing the roof rack.

### Installing the Roof Racks

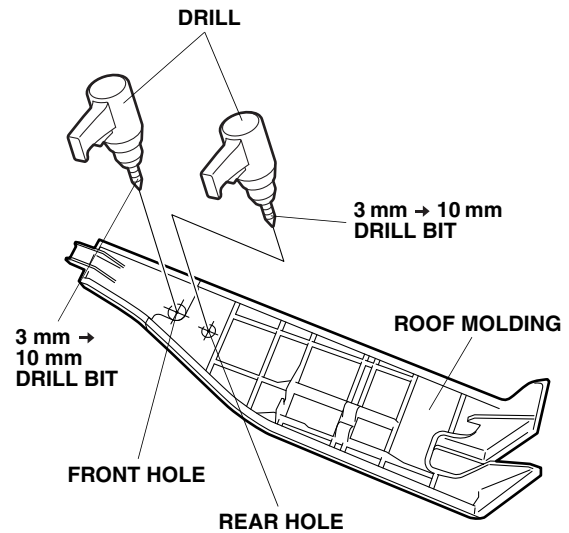
1. Open the tailgate. Using a plastic trim tool, pry up on the rear end of the roof molding left cover.



2. Using a pushpin, pierce two holes at the scribe marks on the roof molding.

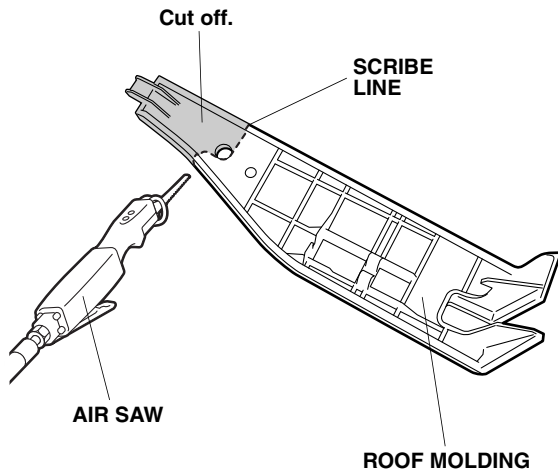


3. While wearing eye protection drill two holes on the roof molding at the holes made in step 2 with a 3 mm drill bit.

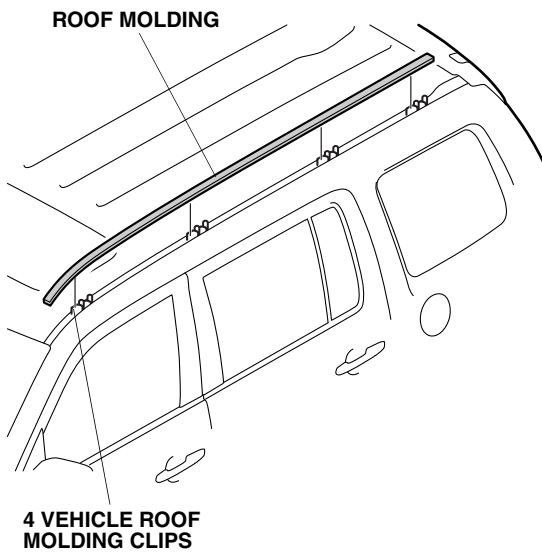


4. Widen the front and rear holes with a 10 mm drill bit.

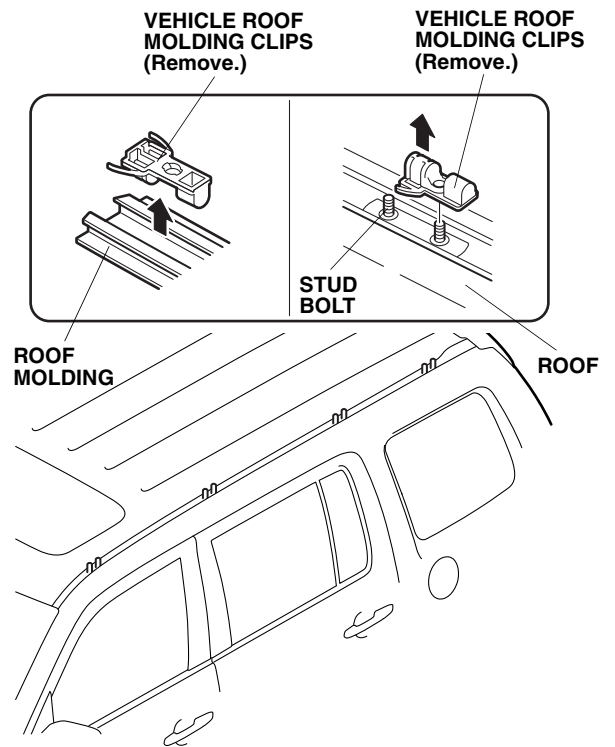
5. While wearing eye protection, use an air saw to cut off the roof molding to the scribe line as shown. Remove any burrs.



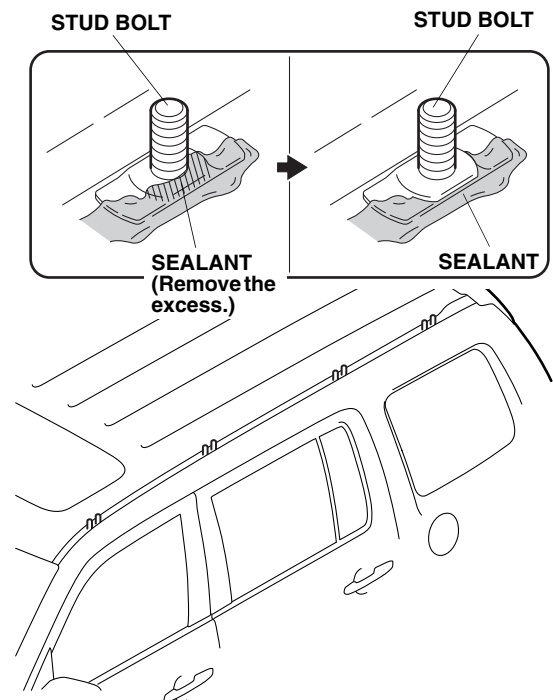
6. Remove the roof moldings by carefully lifting it upward from four vehicle roof molding clips.



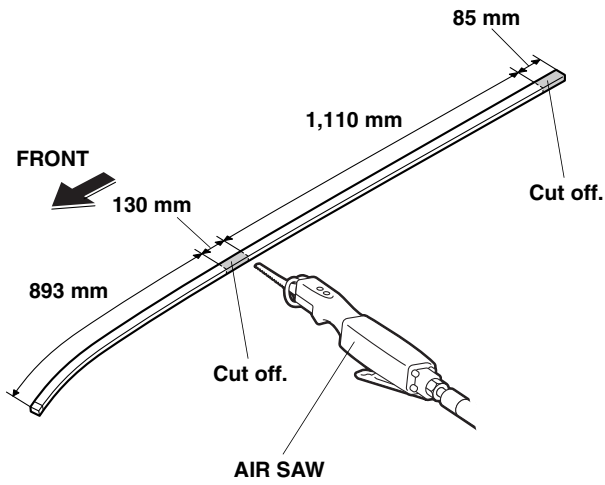
7. Remove and discard four vehicle roof molding clips from the roof molding or the stud bolt on the roof.



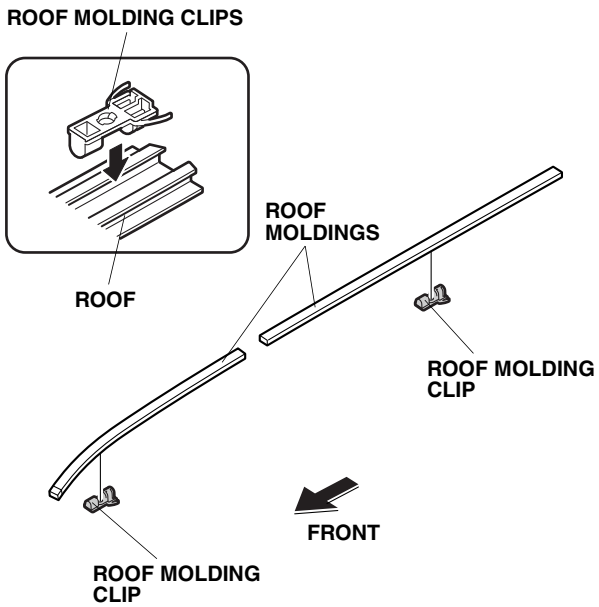
8. Remove any excess sealant from the stud bolts.



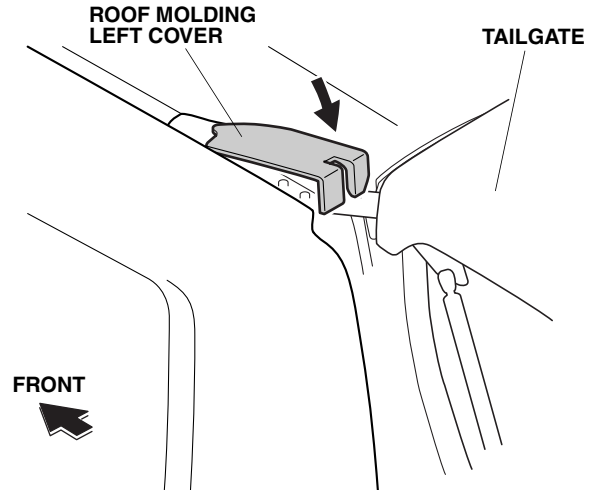
9. While wearing eye protection, use an air saw to cut off the roof molding as shown.



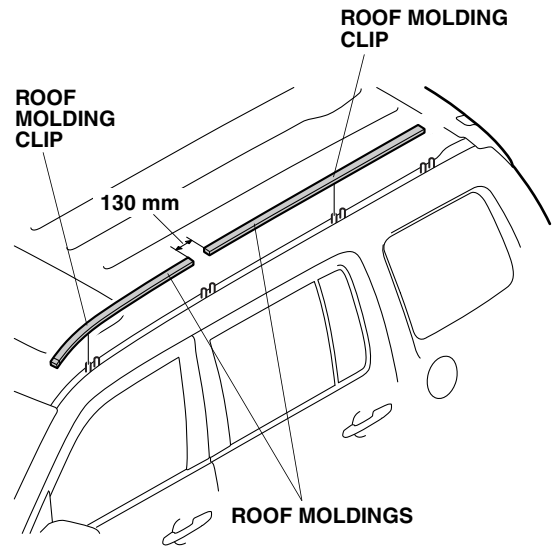
10. Install two new roof molding clips to the roof molding.



11. Reinstall the roof molding left cover.

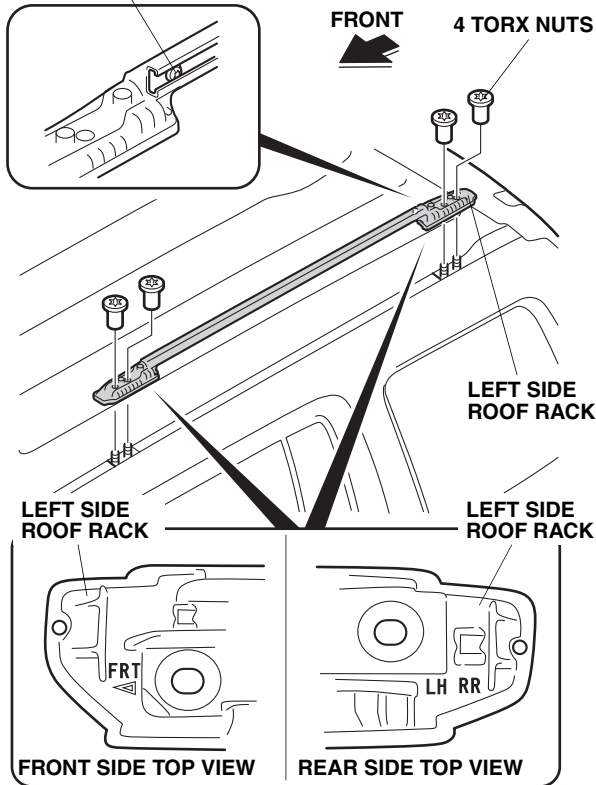


12. Reinstall the roof moldings back onto the roof of the vehicle with two new roof molding clips installed on step 11.



13. Install the left side roof rack with four Torx nuts. Make sure the roof rack is installed in the correct position. Torque the Torx nuts to: 12 N·m (8.9 lbf·ft)

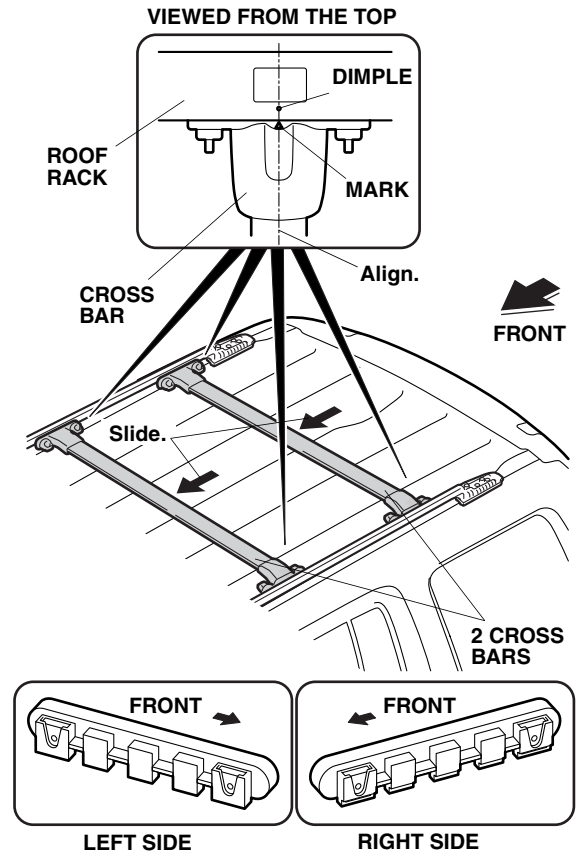
**TORX BOLT**  
This bolt is located on the rear side.



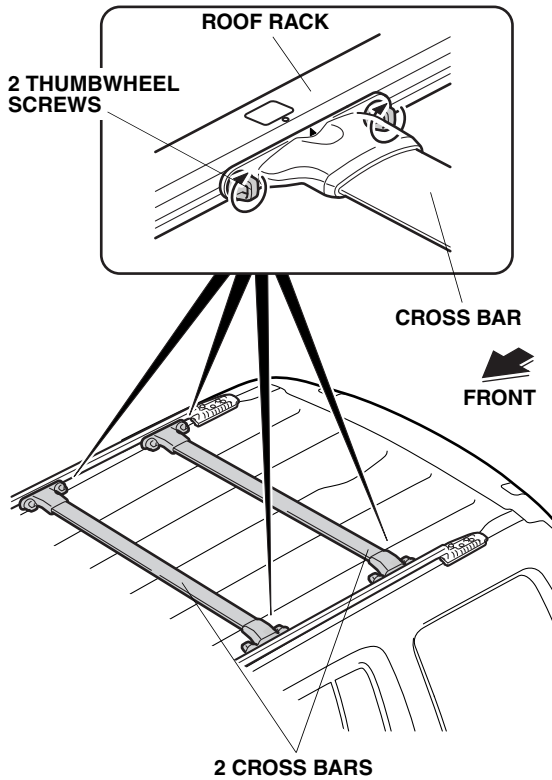
14. Repeat steps 1 through 13 for the right side of the vehicle.

### Installing the Cross Bars

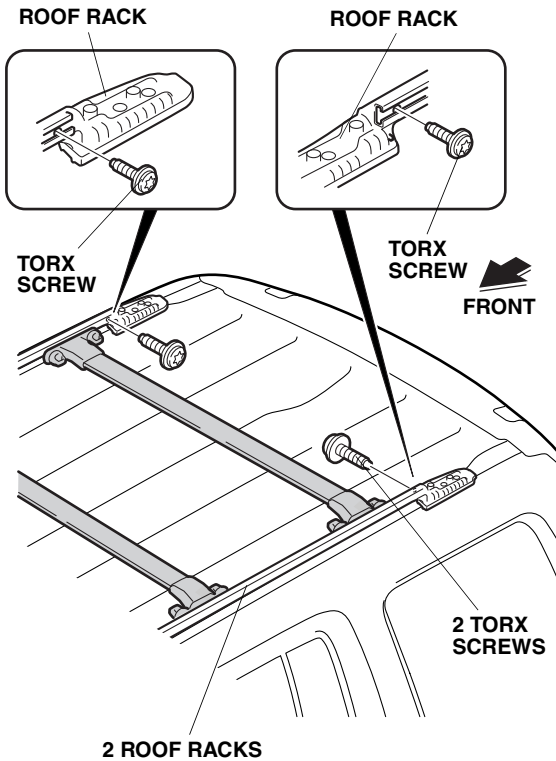
15. Slide two cross bars into the roof racks and align the mark on the cross bars with the mark on the roof racks as shown. Make sure the cross bars are inserted in the correct position and direction.



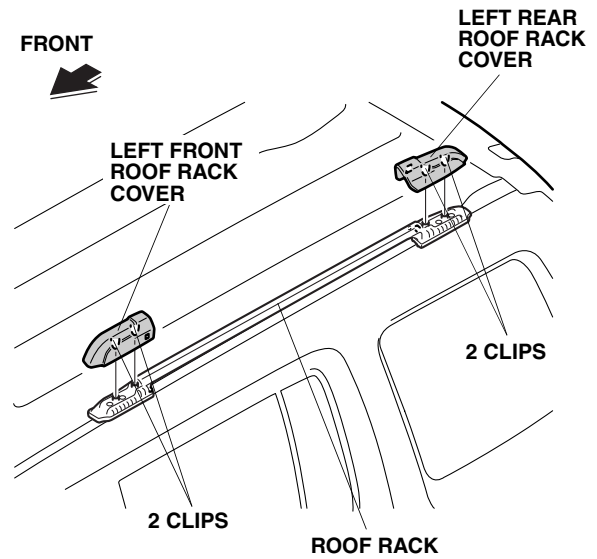
16. Tighten eight thumbwheel screws to secure the cross bars to the roof racks.



17. Install two Torx screws to the roof racks securely.



18. Install the left front roof rack cover and the left rear roof rack cover to the roof rack with two clips each.



#### USE AND CARE

- Check the roof rack mounting bolts frequently, and re-tighten if necessary.
- Distribute the weight of the cargo evenly, and do not exceed the maximum weight capacity of 75 kg (165 lbs).