



# INSTALLATION INSTRUCTIONS

Accessory

FULL NOSE MASK  
P/N 08P35-SDN-102A

Application

2007 ACCORD  
2-DOOR

Publications No.

All 32640

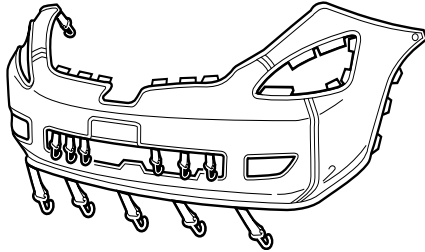
Issue Date

JULY 2006

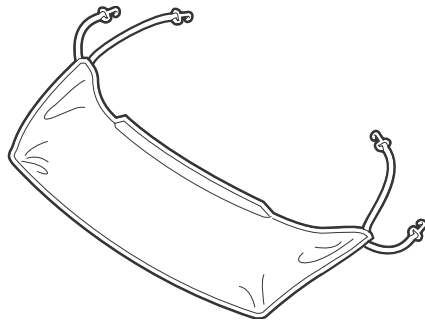
Put this information in the glove box for future reference.

## PARTS LIST

Mask  
(bumper section)



Mask  
(hood section)



2 Snap-screws



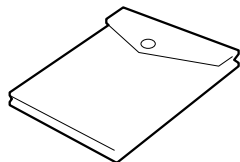
2 Washers



2 Fenderwell nuts



Storage bag



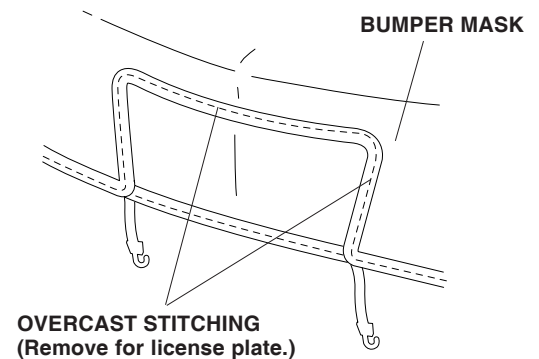
## TOOLS REQUIRED

Stubby #2 Phillips screwdriver  
Clip remover  
Scissors

## INSTALLATION

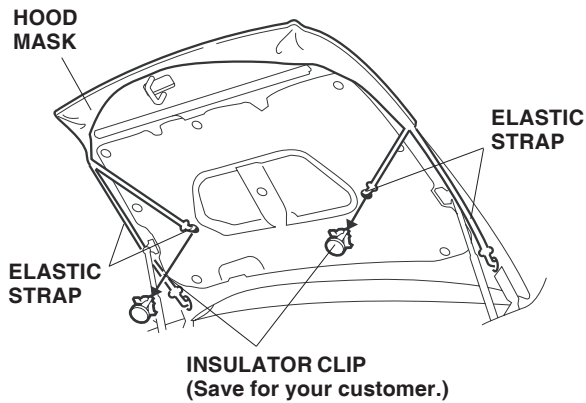
### NOTE:

- Make sure the vehicle and the nose mask are clean and completely dry before installation. If moisture under the mask is allowed to dry, it may cloud the paint. If the mask gets wet, remove it and allow it to air-dry completely.
  - Make sure any repainted surfaces are cured.
  - Make sure the hood and nose of the vehicle have been waxed with a high-quality paste wax.
  - Make sure you install the nose mask securely. If the nose mask starts to flap or comes loose while driving, safely pull off the highway, stop the vehicle, and secure or remove the mask.
  - A full nose mask cannot be installed with the fenderwell trim.
1. If your state law requires the display of both license plates, cut out the piece of the bumper section that covers the front license plate:
    - Face the inside of the mask toward you.
    - Carefully cut out the license plate section with scissors at the top seam, and remove the overcast stitching.



## Installing the Hood Section

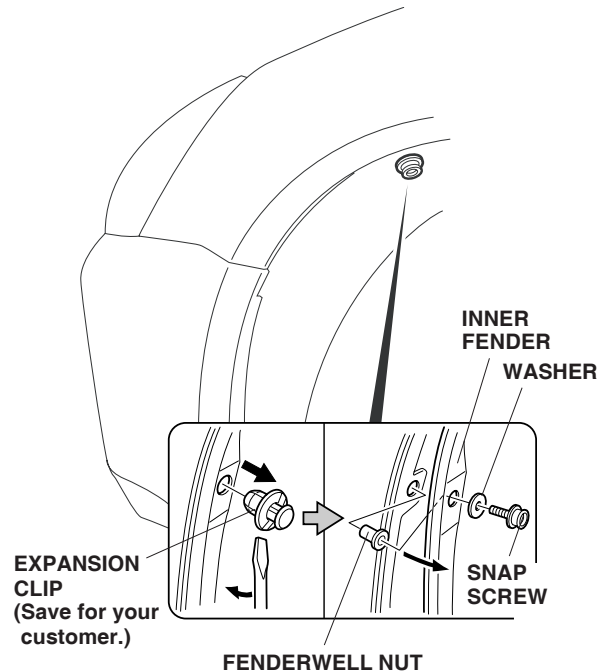
2. Open the hood, and remove the two hood insulator clips. (Do not discard the insulator clips; they can be reinstalled if the mask is removed.)



3. Fit the corners of the hood section around the hood, and adjust the mask so it fits smoothly over the edges. Attach the four elastic straps to the holes in the hood.

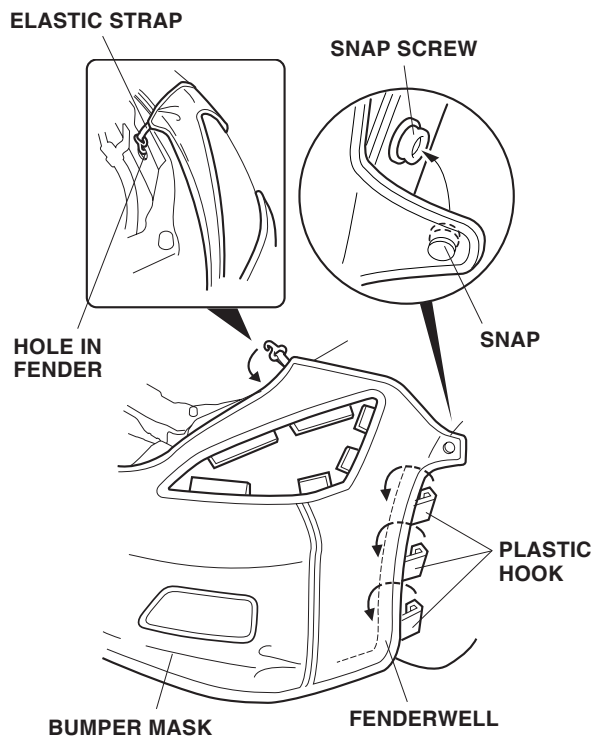
## Installing the Bumper Section

4. Turn the steering wheel all the way clockwise.
5. Pry out the plastic pin, and remove the expansion clip that fastens the inner fender; retain the pin and the clip, then clean the area around the hole.

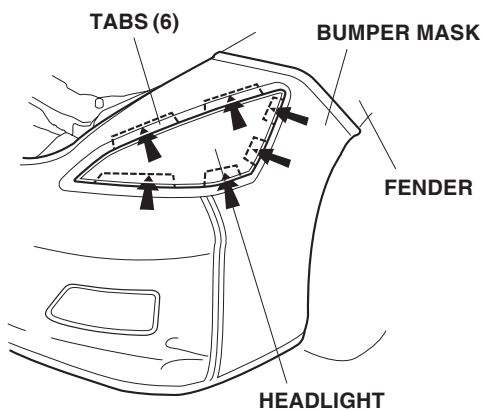


6. Pull the inner fender away, and press one fenderwell nut into the hole in the fender flange.
7. With its washer in place, securely tighten one snap-screw into the fenderwell nut.
8. Turn the steering wheel all the way counterclockwise, and repeat steps 5 thru 7 on the other side of the vehicle.

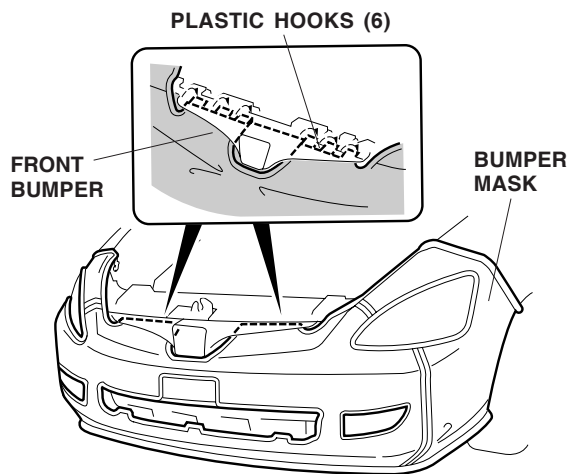
- Attach the elastic strap of the mask's fender section to the hole in the fender. Fit the mask across the bumper, and attach the mask to the other side the same way.



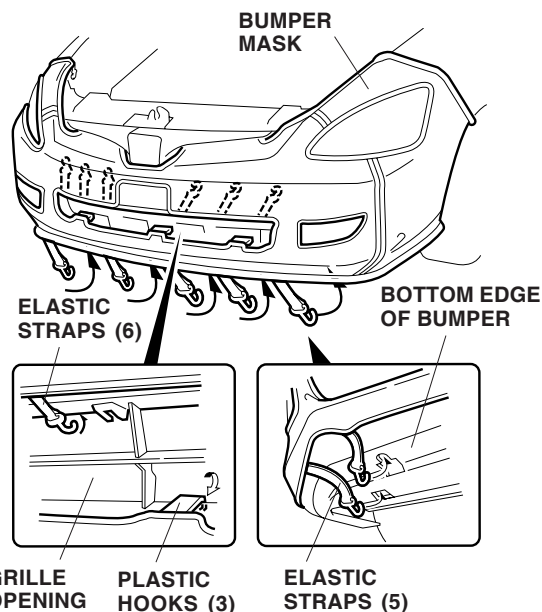
- Pull the mask back toward the wheelwell, smooth out any wrinkles, and snap the mask onto the snap-screw. Repeat on the other side.
- On both sides of the vehicle, attach the three plastic hooks to the fenderwell.
- Insert the two tabs between the headlight and the bumper, and insert the four tabs between the headlight and the fender.



- Attach the six plastic hooks to the top of the front bumper.



- Attach the six elastic straps to the inside top edge of the grille opening, and attach the three plastic hooks to the bottom inside edge of the grille opening.



- Attach the five remaining elastic straps to the bottom edge of the bumper.

16. Put these instructions, along with the insulator clips (removed in step 2) and the plastic pins and expansion clips (removed in step 5) into the storage bag, and place it in the trunk for future use.

#### **CLEANING THE NOSE MASK**

Use a sponge or cloth and a solution of mild liquid dishwashing soap and water to clean the vinyl and the flannel backing. Rinse the mask completely with clean water, and hang it to dry, out of direct sunlight. Make sure the mask is completely dry before you reinstall it.