



INSTALLATION INSTRUCTIONS

Accessory
**WOOD GRAIN-LOOK TRIM KIT
 (CABIN)**
 P/N 08Z03-SHJ-110B

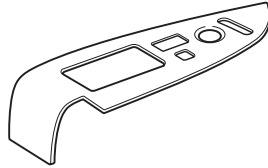
Application
2006 ODYSSEY

Publications No.
All 30585

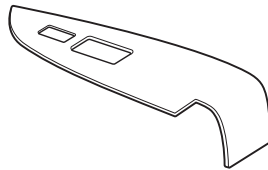
Issue Date
AUG 2005

PARTS LIST

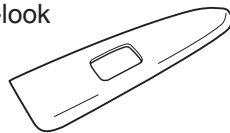
Driver's door wood grain-look switch panel trim



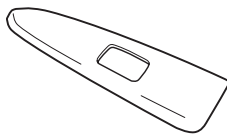
Passenger's door wood grain-look switch panel trim



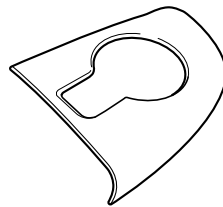
Driver's side rear door wood grain-look switch panel trim



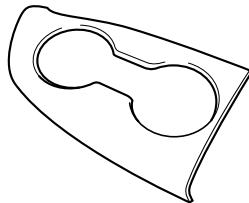
Passenger's side rear door wood grain-look switch panel trim



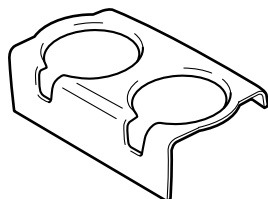
Driver's side rear door wood grain-look cup holder trim



Passenger's side rear door wood grain-look cup holder trim



Center console wood grain-look cup holder trim



SUPPLIES REQUIRED

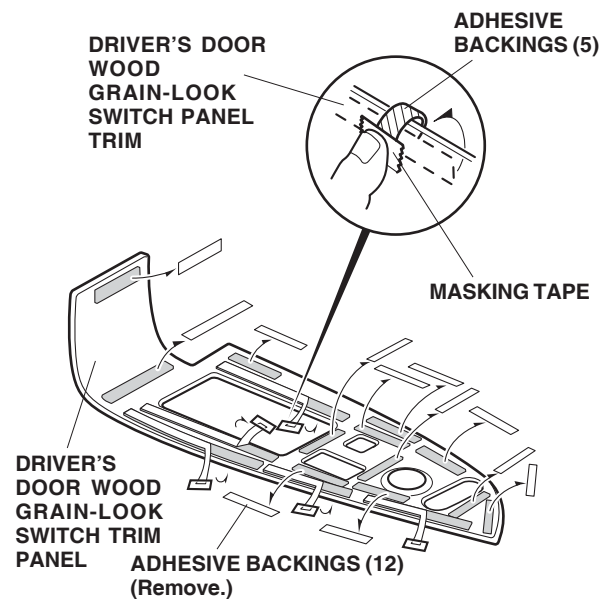
- Isopropyl alcohol
- Shop towel
- Masking tape

INSTALLATION

NOTE: This wood grain-look trim kit should only be installed if the ambient air temperature is above 60°F (15°C).

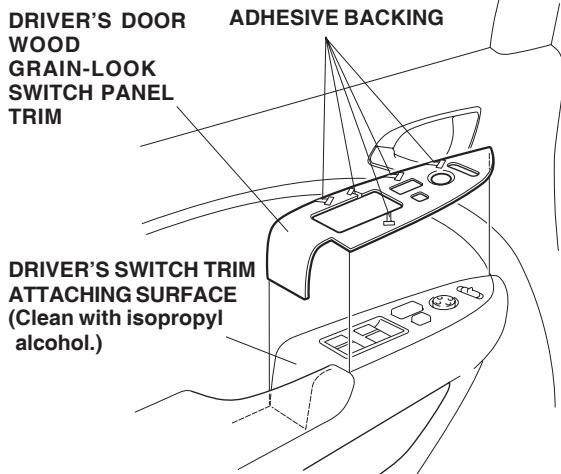
Driver's Door Switch Panel Trim:

- Using isopropyl alcohol on a shop towel, clean the area where the driver's door wood grain-look switch panel trim will attach.



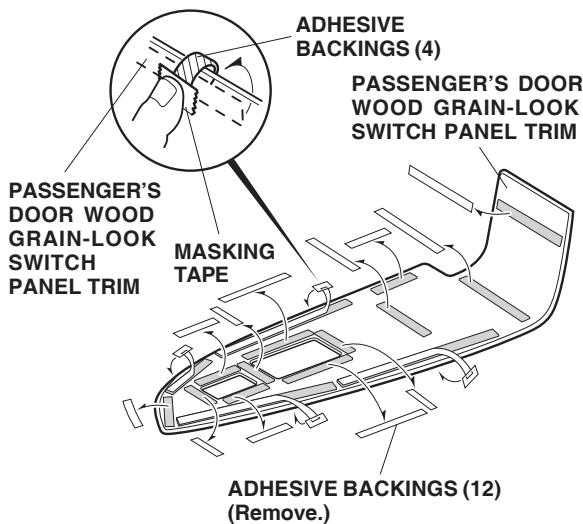
- Peel one inch from the end of the five adhesive backings shown, and attach them to the front of the driver's door wood grain-look switch trim panel using masking tape. Remove all the remaining adhesive backings from the switch panel trim.

- Carefully position the driver's door wood grain-lock switch panel trim over the driver's door switch panel. While holding light pressure against the wood grain-lock switch panel trim, slowly and carefully remove each piece of adhesive backing. Using the palm of your hand, apply pressure on the switch panel trim for about 30 seconds.



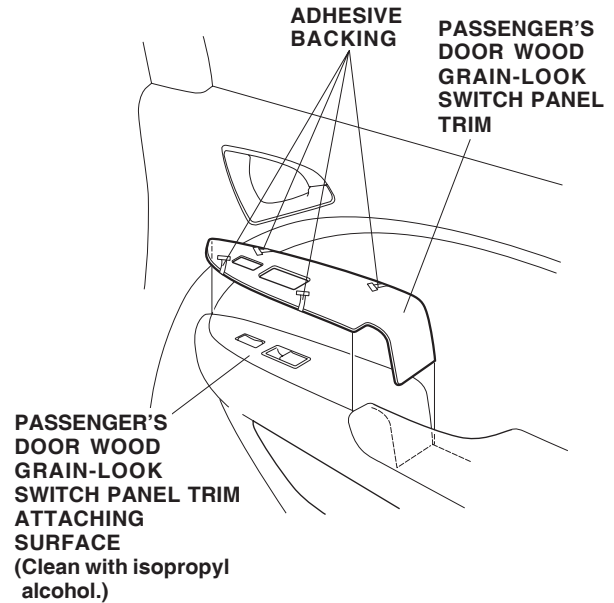
Passenger's Door Switch Panel Trim:

- Using isopropyl alcohol on a shop towel, clean the area where the passenger's door wood grain-lock switch panel trim will attach.



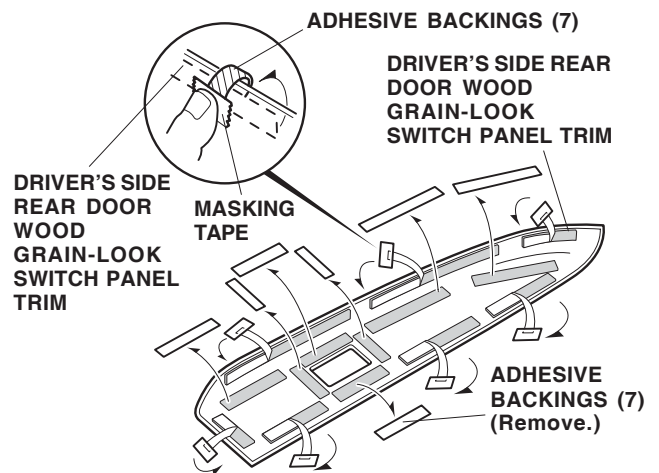
- Peel one inch from the end of the four adhesive backings shown, and attach them to the front of the passenger's door wood grain-lock switch panel trim using masking tape. Remove all the remaining adhesive backings from the switch panel trim.

- Carefully position the passenger's door wood grain-lock switch panel trim over the passenger's door switch panel. While holding light pressure against the wood grain-lock switch panel trim, slowly and carefully remove each piece of adhesive backing. Using the palm of your hand, apply pressure on the switch panel trim for about 30 seconds.



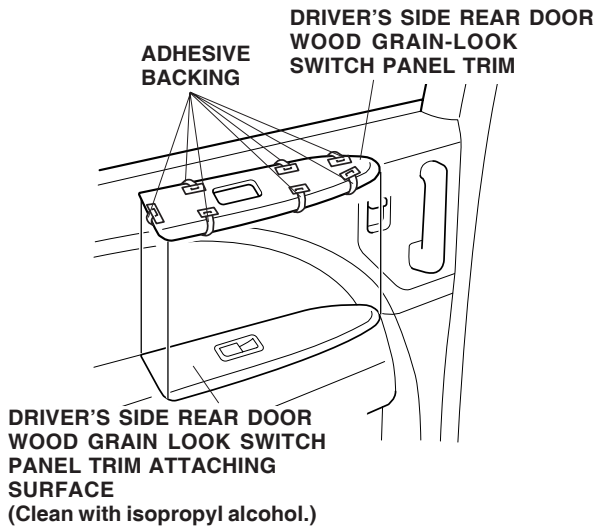
Driver's Rear Door Switch Panel Trim:

- Using isopropyl alcohol on a shop towel, clean the area where the driver's side rear door wood grain-lock switch panel trim will attach.



- Peel one inch from the end of the seven adhesive backings shown, and attach them to the front of the driver's side rear door wood grain-lock switch panel trim with masking tape. Remove all the remaining adhesive backings from the switch panel trim.

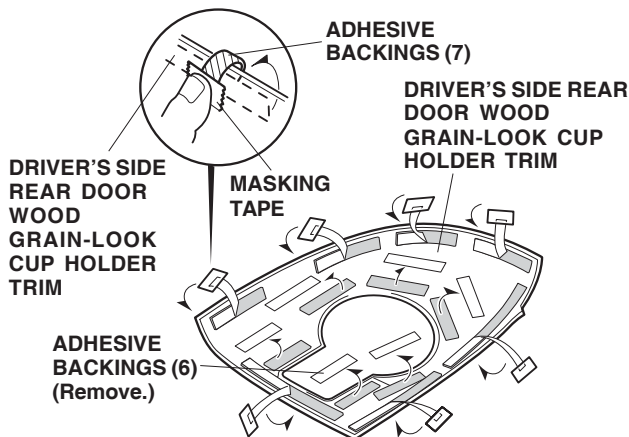
- Carefully position the driver's side rear door wood grain-lock switch panel trim over the driver's side rear door switch panel. While holding light pressure against the wood grain-lock switch panel trim, slowly and carefully remove each piece of adhesive backing. Using the palm of your hand, apply pressure on the switch panel trim for about 30 seconds.



- Repeat steps 7 and 9 to install the passenger's side rear door wood grain-lock switch panel trim to the passenger's side rear door switch panel.

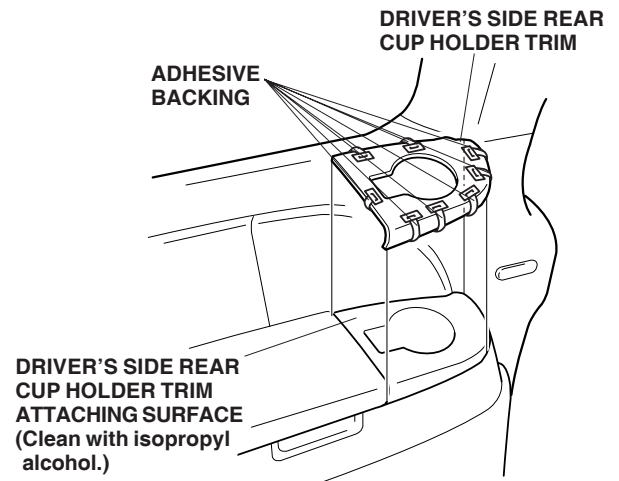
Driver's Side Rear Door Cup Holder Trim:

- Using isopropyl alcohol on a shop towel, clean the area where the driver's side rear door wood grain-lock cup holder trim will attach.



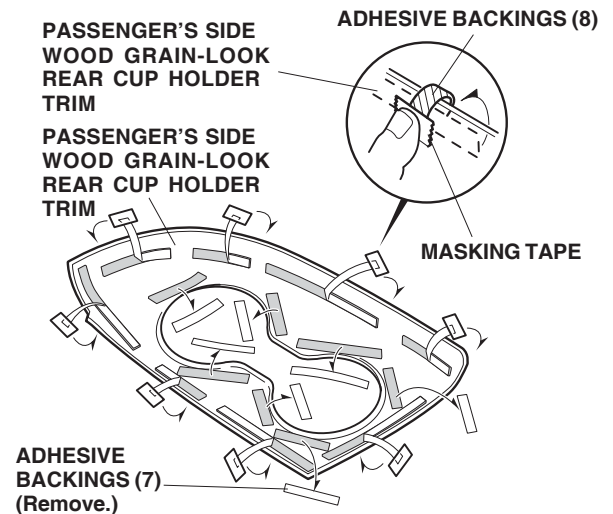
- Peel one inch from the end of the seven outer adhesive backings shown, and attach them to the front of the driver's side rear door wood grain-lock cup holder trim with masking tape. Remove all the remaining inner adhesive backings from the cup holder trim.

- Carefully position the driver's side rear door wood grain-lock cup holder trim over the driver's side rear door cup holder. While holding light pressure against the wood grain-lock cup holder trim, slowly and carefully remove each piece of adhesive backing. Using the palm of your hand, apply pressure on the cup holder trim for about 30 seconds.



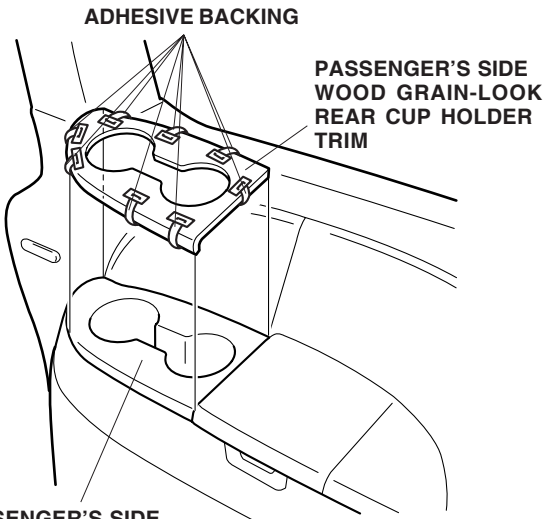
Passenger's Side Rear Door Cup Holder Trim:

- Using isopropyl alcohol on a shop towel, clean the area where the passenger's side rear door wood grain-lock cup holder trim will attach.



- Peel one inch from the end of the eight outer adhesive backings shown, and attach them to the front of the passenger's side rear door wood grain-lock cup holder trim with masking tape. Remove all the remaining inner adhesive backings from the cup holder trim.

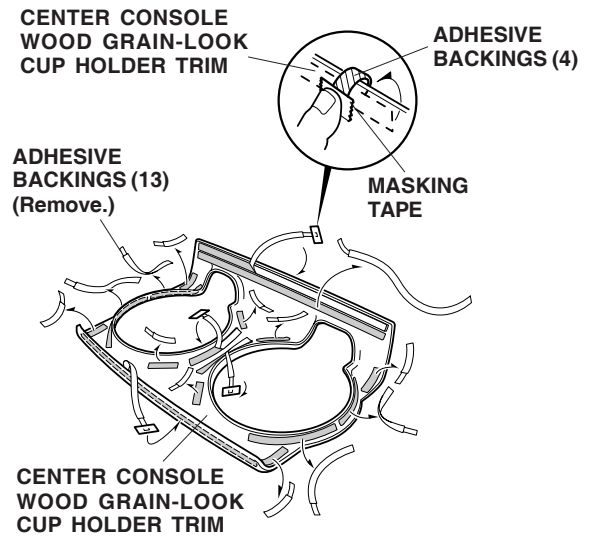
- Carefully position the passenger's side rear door wood grain-look cup holder trim over the passenger's side rear door cup holder. While holding light pressure against the wood grain-look cup holder trim, slowly and carefully remove each piece of adhesive backing. Using the palm of your hand, apply pressure on the cup holder trim for about 30 seconds.



PASSENGER'S SIDE WOOD GRAIN-LOOK REAR CUP HOLDER TRIM ATTACHING SURFACE
(Clean with isopropyl alcohol.)

Center Console Cup Holder Trim:

- Using isopropyl alcohol on a shop towel, clean the area where the center console wood grain-look cup holder trim will attach.



- Peel one inch from the end of the four adhesive backings shown, and attach them to the front of the center console wood grain-look cup holder trim with masking tape. Remove all the remaining inner adhesive backings from the center console cup holder trim.
- Carefully position the center console wood grain-look cup holder trim over the center console cup holder. While holding light pressure against the center console wood grain-look cup holder trim, slowly and carefully remove each piece of adhesive backing. Using the palm of your hand, apply pressure on the center console cup holder trim for about 30 seconds.

