

**INSTALLATION
INSTRUCTIONS**

Accessory

**DOOR VISORS
P/N 08R04-SCV-100**

Application

2006 ELEMENT

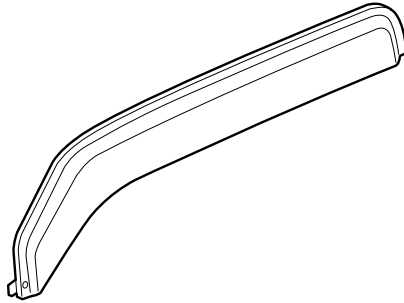
Publications No.

All 31476

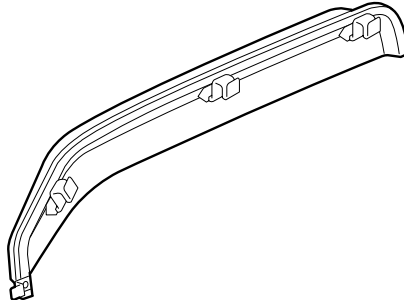
Issue Date

NOV 2005**PARTS LIST**

Left door visor



Right door visor

**TOOLS REQUIRED**

Isopropyl alcohol

Shop towel

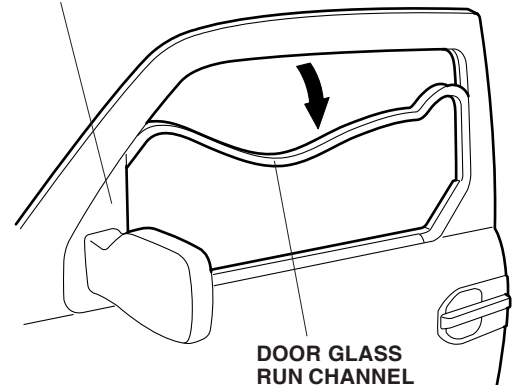
Masking tape

Tape measure

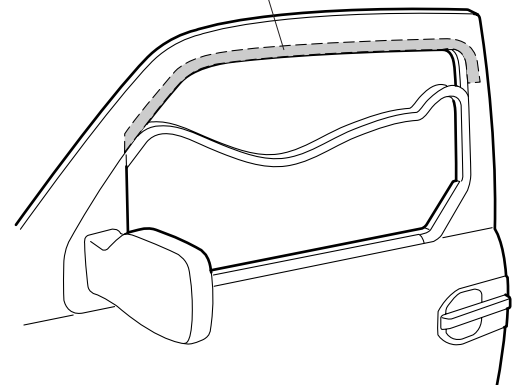
INSTALLATION**NOTE:**

- These instructions show the left door visor being installed. The same procedure applies to installing the right door visor.
- Be careful not to damage the paint finish and glass run channels when installing the door visors.
- Handle the door visors with care. They are not designed to absorb shock or impact.
- This door visor kit should only be installed if the ambient air temperature is 60°F (15°C) or above.
- To allow the adhesive to “cure,” do not wash the vehicle for 24 hours.

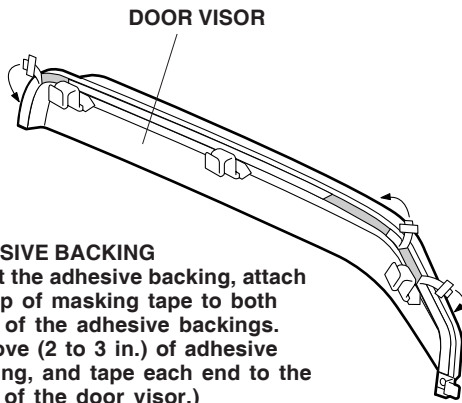
1. Lower the front door glass completely. Remove the door glass run channel from the door sash in the area shown. Do not remove the glass run channel from the door mirror base.

DOOR MIRROR BASE
(Do not remove the door glass run channel here.)

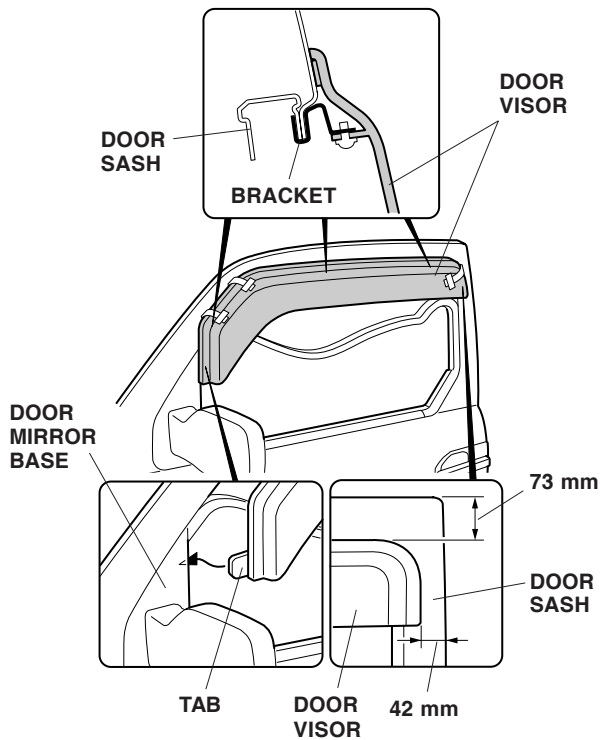
2. Using isopropyl alcohol on a shop towel, clean the shaded area of the door sash.

BONDING SURFACE
(Clean with isopropyl alcohol.)

- Attach a strip of the masking tape to the ends of the adhesive backings, and remove 5 to 8 cm (2 to 3 in.) from the ends. Fold back the ends and tape the ends to the front of the door visor. Note the direction of the adhesive backings.

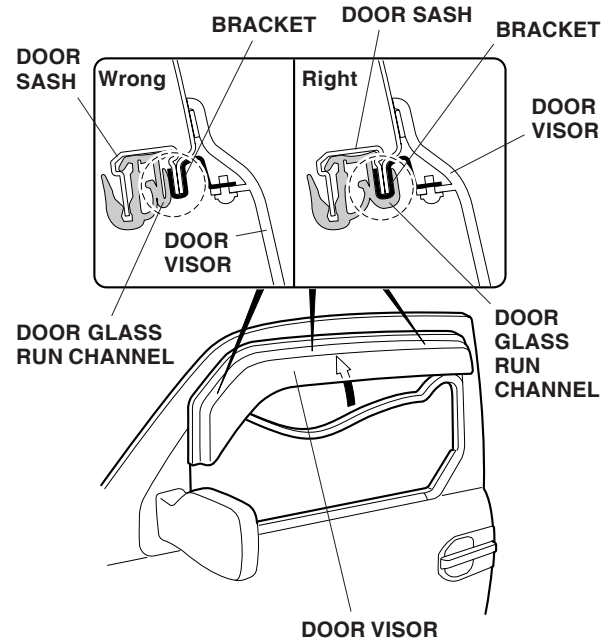


- Insert the front tab of the door visor under the door mirror base, and attach the three brackets to the door sash.



- Adjust the location of the door visor so that the clearance between the door visor and door sash is 73 mm at the top, and 42 mm at the back. There should be no clearance between the door mirror base and the visor.

- While holding light pressure on the door visor, carefully remove the adhesive backing in the directions shown. Using the palm of your hand, hold the door visor firmly against the door for 30 seconds.
- Reinstall the door glass run channel. Seat the glass run channel properly around the three brackets.



- Repeat steps 1 thru 7 to install the right door visor.

USE AND CARE

- To clean the door visor, wipe it with a soft cloth dampened with clean water.
- To remove dust and dirt, clean with a mild detergent and water solution and soft cloth. Never use organic solvents such as thinner, benzene, alcohol, etc., or cleaners containing compounds.